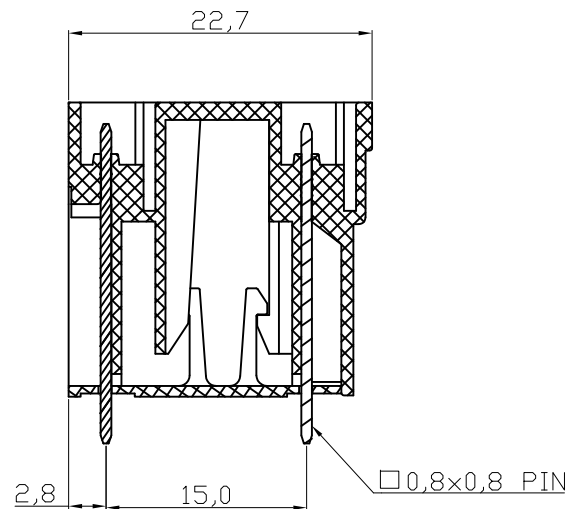


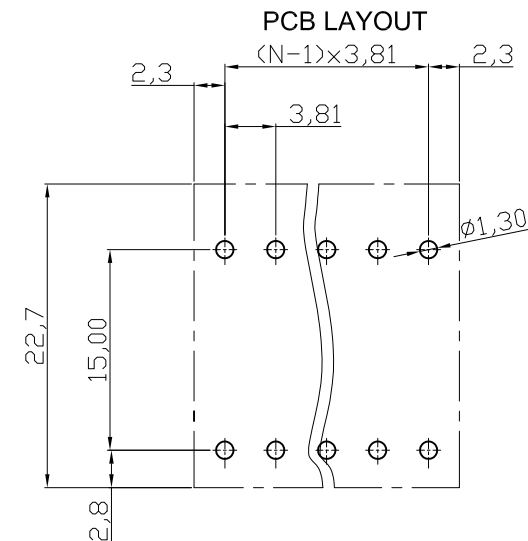
N= NUMBER OF CONTACTS



SECTION A-A

Material
 Terminal body(contact pin): Brass with Tin plated
 Insulator (housing): Thermoplastic (UL94V-0),Green

Electrical cULus
 Voltage rating: 300VAC
 Current rating: 10A
 Wire range:
 Solid wire(AWG):
 Stranded wire (AWG):
 Withstanding Voltage: 1.6KV
 Operating temperature: -30°C to +105°C
 Soldering temperature: 250°C±10°C/5 Sec
 Safety Approval:



RoHS compliant

Scale	1:1					Date	Name	Customer-No.
TOLERANCE					Drawn	10.12.2009	Dean	ASSMANN WSW-No. A-TB381-VLxxV
X.	±0.50				Approved	10.12.2009	Hellwig	
X.X	±0.30							
X.XX	±0.10							
DIM	TOL							
X.°	±1°							Drawing-No.
		①	Drawn	10.12.2009	Dean			ASS 3844 CO
Angle	TOL	Id.	Modification	Date	Name			Replace

RoHS compliant