



LRS200100

High Bay Lighting Kit/ Heatsink Thermal Solution

High Thermal Performance

Features

- Excellent thermal performance – large heatsink surface and lightweight
- High thermal conductivity aluminum alloy
- Thermal coating Technology – thermal radiation enhancement
- Fully mechanical components
- Optional E39/40 Connector



Applications

- LED Bay Lighting 80-100W

Description

The LRS series provides excellent thermal performance and design flexibility for LED lighting applications. The LRS series stamped heatsinks provide lower thermal resistance than traditional extruded, cold forged, and die-cast heatsinks. High aspect ratio fin provides excellent heat transfer capability. Various material finishes are available for enhanced thermal performance.

Ordering Information

Model	Finish	Option					
LRS200100	UF	K					
	↓	↓					
	Code	Spec.	Code	Description	Connector	Sleeve	Diffuser
	UF	Non-Finish	Blank	Heatsink only	NA	NA	NA
	TW	Thermal Coating White	K		E39/E40	Long	White
			L		E39/E40	Long	Clear
			M		E39/E40	Short	White
			N	Heatsink with	E39/E40	Short	Clear
			R	Accessories	Ring	Long	White
			S		Ring	Long	Clear
			T		Ring	Short	White
			U		Ring	Short	Clear

General

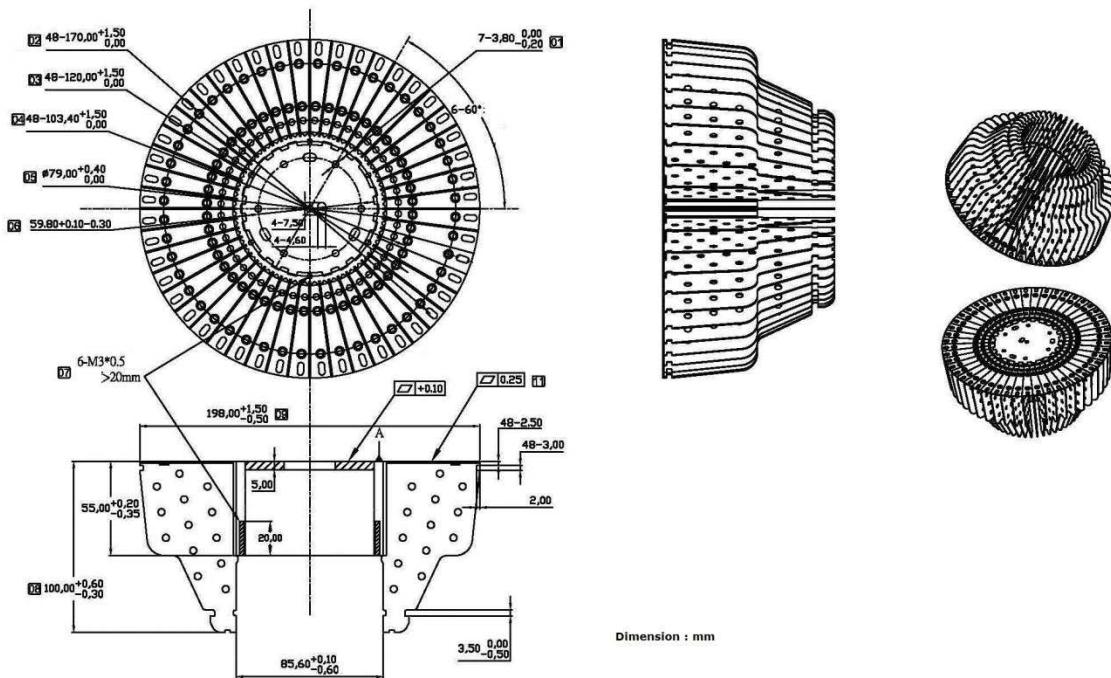
RoHS	Lead-Free. Fully compliant to RoHS Directive 2011/65/EU
Packaging :	Box
Storage Temperature:	-40°C to +150°C

Performance & Mechanical

Part Number	*Heat Dissipation	Dimension (mm) D x H	Fin Surface Area (cm ²)	Weight (kg)	Kit Solution
LRS200100TW	100W	198 x 100	4007	0.7	
LRS200100TWK	100W	203 x 332	4007	1.3	Diffuser, Housing, Connector
LRS200100UF	90W	198 x 100	4007	0.7	
LRS200100UFK	90W	203 x 332	4007	1.3	Diffuser, Housing, Connector

*Heat Dissipation and Thermal Resistance are based on using discrete LEDs and should be considered for reference only. Actual results may vary due to the LED configuration, the finish chosen, and the environmental conditions.

Mechanical Specifications



Dimension : mm

Mechanical Specifications

