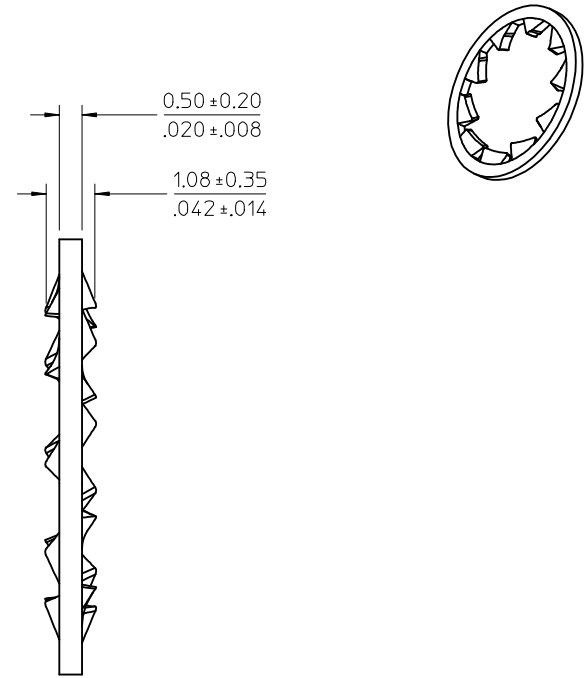
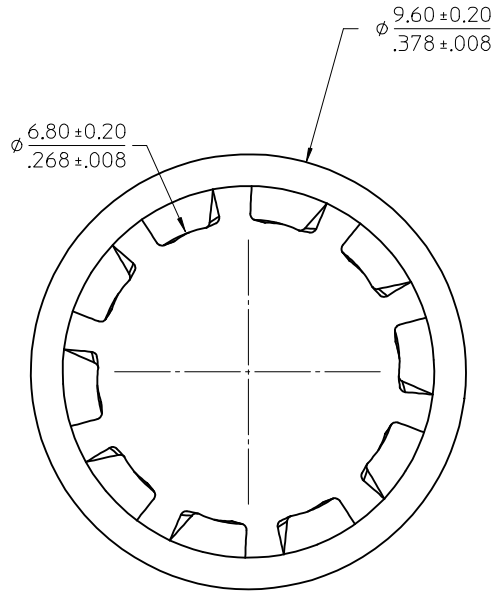


MATERIAL AND FINISH

PHOSPHOR BRONZE
 PLATED GOLD 1μ MIN. OVER
 NICKEL 50μ MIN.

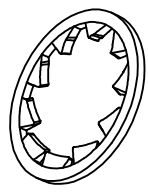
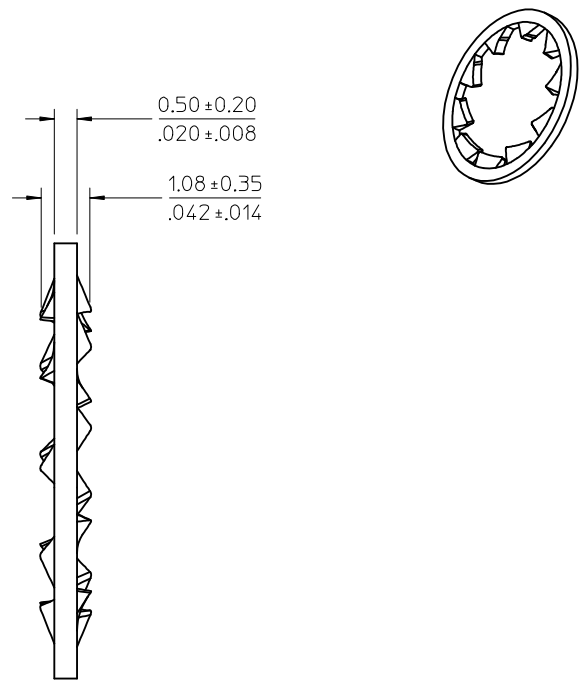
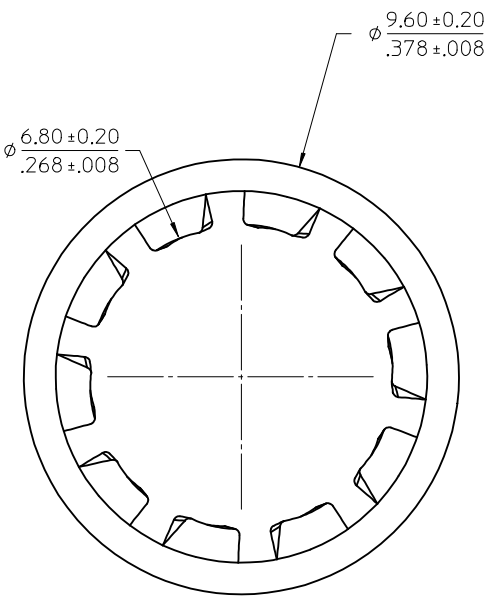
PACKAGE BY POLYBAG



PART NO. # 89610-1143

CHG:NEW RELEASE EWR RF15-142 EC NO: URF2015-0459 2015/03/04 DRAWN:YCHENG CHKD: APPR:YCHENG 2015/03/06	QUALITY SYMBOLS	GENERAL TOLERANCES (UNLESS SPECIFIED)	DIMENSION STYLE	SCALE	DESIGN UNITS	THIRD ANGLE PROJECTION																		
	$\nabla = 0$ $\nabla = 0$ $\nabla = 0$	<table border="1"> <tr> <th></th> <th>mm</th> <th>INCH</th> </tr> <tr> <td>4 PLACES</td> <td>± ---</td> <td>± ---</td> </tr> <tr> <td>3 PLACES</td> <td>± ---</td> <td>± ---</td> </tr> <tr> <td>2 PLACES</td> <td>± ---</td> <td>± ---</td> </tr> <tr> <td>1 PLACE</td> <td>± ---</td> <td>± ---</td> </tr> <tr> <td>0 PLACE</td> <td>± ---</td> <td>± ---</td> </tr> </table>		mm	INCH	4 PLACES	± ---	± ---	3 PLACES	± ---	± ---	2 PLACES	± ---	± ---	1 PLACE	± ---	± ---	0 PLACE	± ---	± ---	MM/IN	12:1	METRIC	
		mm	INCH																					
	4 PLACES	± ---	± ---																					
3 PLACES	± ---	± ---																						
2 PLACES	± ---	± ---																						
1 PLACE	± ---	± ---																						
0 PLACE	± ---	± ---																						
REV	DESCRIPTION	DRAFT WHERE APPLICABLE MUST REMAIN WITHIN DIMENSIONS	DRAWN BY DATE YCHENG 2015/03/04 CHECKED BY DATE JOANNE 2015/03/04 APPROVED BY DATE YCHENG 2015/03/06	TITLE	LOCK WASHER																			
A		ANGULAR ± 2°	MATERIAL NO.	DOCUMENT NO.		SHEET NO.																		
			896101143	SD-89610-1143		1 OF 1																		
			THIS DRAWING CONTAINS INFORMATION THAT IS PROPRIETARY TO MOLEX INCORPORATED AND SHOULD NOT BE USED WITHOUT WRITTEN PERMISSION																					

MATERIAL AND FINISH
 PHOSPHOR BRONZE
 PLATED GOLD 1μ MIN. OVER
 NICKEL 50μ MIN.
 PACKAGE BY POLYBAG



PART NO. # 89610-1143

CHG:NEW RELEASE
 EWR RF15-142
 EC NO: URF2015-0459
 DRAWN:YCHENG 2015/03/04
 CHKD:
 APPR:YCHENG 2015/03/06

REV	DESCRIPTION
A	

QUALITY SYMBOLS	
	=0
	=0
	=0

GENERAL TOLERANCES (UNLESS SPECIFIED)	
	mm
	INCH
4 PLACES	± .005
3 PLACES	± .004
2 PLACES	± .003
1 PLACE	± .002
0 PLACE	± .001

DIMENSION STYLE	
MM/IN	

SCALE	DESIGN UNITS
12:1	METRIC

THIRD ANGLE PROJECTION	
LOCK WASHER	

MATERIAL NO.		DOCUMENT NO.		SHEET NO.	
896101143		SD-89610-1143		1 OF 1	

ANGULAR ± 2 °
 DRAFT WHERE APPLICABLE
 MUST REMAIN
 WITHIN DIMENSIONS

THIS DRAWING CONTAINS INFORMATION THAT IS PROPRIETARY TO MOLEX INCORPORATED AND SHOULD NOT BE USED WITHOUT WRITTEN PERMISSION