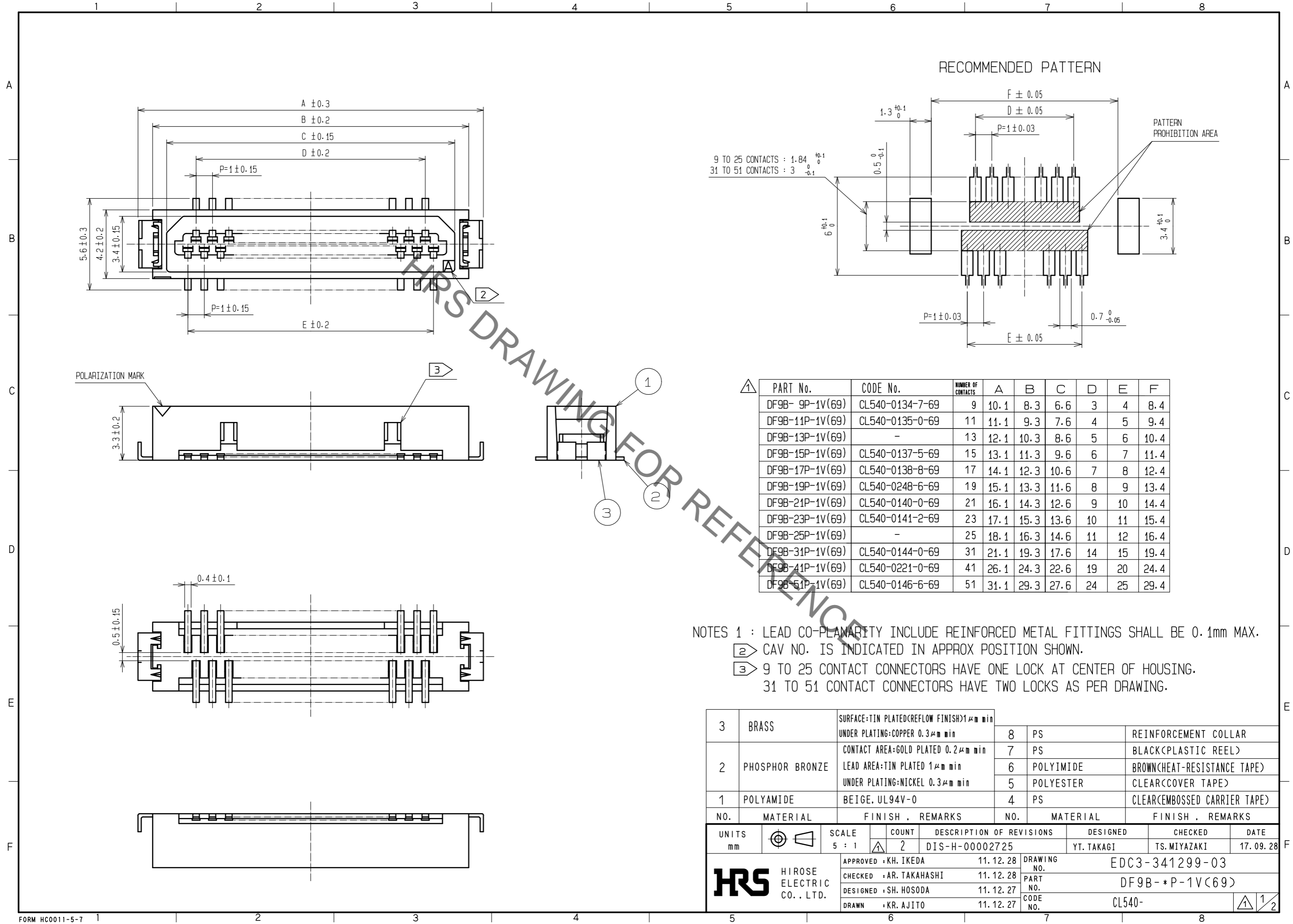


May.1.2023 Copyright 2023 HIROSE ELECTRIC CO., LTD. All Rights Reserved.  
In case of consideration for using Automotive equipment / device which demand high reliability, kindly contact our sales window correspondents.



9 TO 25 CONTACTS : 1.84<sup>+0.1</sup>/<sub>0</sub>  
31 TO 51 CONTACTS : 3<sup>+0.1</sup>/<sub>-0.1</sub>

| △ PART No.      | CODE No.        | NUMBER OF CONTACTS | A    | B    | C    | D  | E  | F    |
|-----------------|-----------------|--------------------|------|------|------|----|----|------|
| DF9B- 9P-1V(69) | CL540-0134-7-69 | 9                  | 10.1 | 8.3  | 6.6  | 3  | 4  | 8.4  |
| DF9B-11P-1V(69) | CL540-0135-0-69 | 11                 | 11.1 | 9.3  | 7.6  | 4  | 5  | 9.4  |
| DF9B-13P-1V(69) | -               | 13                 | 12.1 | 10.3 | 8.6  | 5  | 6  | 10.4 |
| DF9B-15P-1V(69) | CL540-0137-5-69 | 15                 | 13.1 | 11.3 | 9.6  | 6  | 7  | 11.4 |
| DF9B-17P-1V(69) | CL540-0138-8-69 | 17                 | 14.1 | 12.3 | 10.6 | 7  | 8  | 12.4 |
| DF9B-19P-1V(69) | CL540-0248-6-69 | 19                 | 15.1 | 13.3 | 11.6 | 8  | 9  | 13.4 |
| DF9B-21P-1V(69) | CL540-0140-0-69 | 21                 | 16.1 | 14.3 | 12.6 | 9  | 10 | 14.4 |
| DF9B-23P-1V(69) | CL540-0141-2-69 | 23                 | 17.1 | 15.3 | 13.6 | 10 | 11 | 15.4 |
| DF9B-25P-1V(69) | -               | 25                 | 18.1 | 16.3 | 14.6 | 11 | 12 | 16.4 |
| DF9B-31P-1V(69) | CL540-0144-0-69 | 31                 | 21.1 | 19.3 | 17.6 | 14 | 15 | 19.4 |
| DF9B-41P-1V(69) | CL540-0221-0-69 | 41                 | 26.1 | 24.3 | 22.6 | 19 | 20 | 24.4 |
| DF9B-51P-1V(69) | CL540-0146-6-69 | 51                 | 31.1 | 29.3 | 27.6 | 24 | 25 | 29.4 |

NOTES 1 : LEAD CO-PLANARITY INCLUDE REINFORCED METAL FITTINGS SHALL BE 0.1mm MAX.  
 ② CAV NO. IS INDICATED IN APPROX POSITION SHOWN.  
 ③ 9 TO 25 CONTACT CONNECTORS HAVE ONE LOCK AT CENTER OF HOUSING.  
 31 TO 51 CONTACT CONNECTORS HAVE TWO LOCKS AS PER DRAWING.

| NO. | MATERIAL        | FINISH . REMARKS   | NO. | MATERIAL  | FINISH . REMARKS             |
|-----|-----------------|--|-----|-----------|------------------------------|
| 3   | BRASS           | SURFACE:TIN PLATED(REFLOW FINISH)1μm min<br>UNDER PLATING:COPPER 0.3μm min                           | 8   | PS        | REINFORCEMENT COLLAR         |
| 2   | PHOSPHOR BRONZE | CONTACT AREA:GOLD PLATED 0.2μm min<br>LEAD AREA:TIN PLATED 1μm min<br>UNDER PLATING:NICKEL 0.3μm min | 7   | PS        | BLACK(PLASTIC REEL)          |
|     |                 |  | 6   | POLYIMIDE | BROWN(HEAT-RESISTANCE TAPE)  |
|     |                 |  | 5   | POLYESTER | CLEAR(COVER TAPE)            |
| 1   | POLYAMIDE       | BEIGE. UL94V-0   | 4   | PS        | CLEAR(EMBOSSED CARRIER TAPE) |

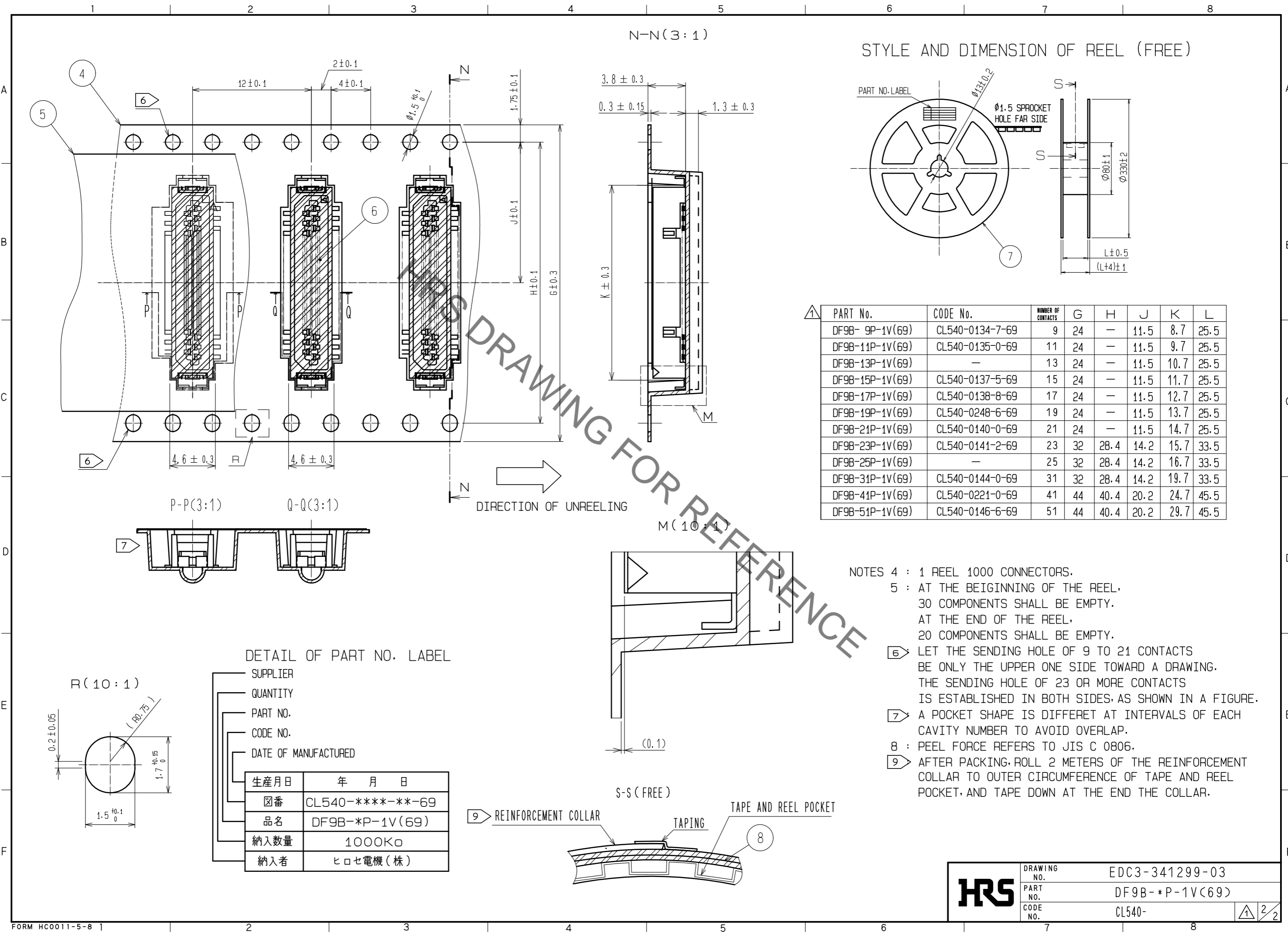
  

| UNITS | SCALE | COUNT | DESCRIPTION OF REVISIONS | DESIGNED   | CHECKED      | DATE       |
|-------|-------|-------|--------------------------|------------|--------------|------------|
| mm    | 5 : 1 | 2     | DIS-H-00002725           | YT. TAKAGI | TS. MIYAZAKI | 17. 09. 28 |

| APPROVED      | DATE       | DRAWING NO.      |
|---------------|------------|------------------|
| KH. IKEDA     | 11. 12. 28 | EDC3-341299-03   |
| CHECKED       | DATE       | PART NO.         |
| AR. TAKAHASHI | 11. 12. 28 | DF9B- * P-1V(69) |
| DESIGNED      | DATE       | CODE NO.         |
| SH. HOSODA    | 11. 12. 27 | CL540-           |
| DRAWN         | DATE       |                  |
| KR. AJITO     | 11. 12. 27 |                  |

May.1.2023 Copyright 2023 HIROSE ELECTRIC CO., LTD. All Rights Reserved.  
In case of consideration for using Automotive equipment / device which demand high reliability, kindly contact our sales window correspondents.



| PART No.        | CODE No.        | NUMBER OF CONTACTS | G  | H    | J    | K    | L    |
|-----------------|-----------------|--------------------|----|------|------|------|------|
| DF9B-9P-1V(69)  | CL540-0134-7-69 | 9                  | 24 | —    | 11.5 | 8.7  | 25.5 |
| DF9B-11P-1V(69) | CL540-0135-0-69 | 11                 | 24 | —    | 11.5 | 9.7  | 25.5 |
| DF9B-13P-1V(69) | —               | 13                 | 24 | —    | 11.5 | 10.7 | 25.5 |
| DF9B-15P-1V(69) | CL540-0137-5-69 | 15                 | 24 | —    | 11.5 | 11.7 | 25.5 |
| DF9B-17P-1V(69) | CL540-0138-8-69 | 17                 | 24 | —    | 11.5 | 12.7 | 25.5 |
| DF9B-19P-1V(69) | CL540-0248-6-69 | 19                 | 24 | —    | 11.5 | 13.7 | 25.5 |
| DF9B-21P-1V(69) | CL540-0140-0-69 | 21                 | 24 | —    | 11.5 | 14.7 | 25.5 |
| DF9B-23P-1V(69) | CL540-0141-2-69 | 23                 | 32 | 28.4 | 14.2 | 15.7 | 33.5 |
| DF9B-25P-1V(69) | —               | 25                 | 32 | 28.4 | 14.2 | 16.7 | 33.5 |
| DF9B-31P-1V(69) | CL540-0144-0-69 | 31                 | 32 | 28.4 | 14.2 | 19.7 | 33.5 |
| DF9B-41P-1V(69) | CL540-0221-0-69 | 41                 | 44 | 40.4 | 20.2 | 24.7 | 45.5 |
| DF9B-51P-1V(69) | CL540-0146-6-69 | 51                 | 44 | 40.4 | 20.2 | 29.7 | 45.5 |

- NOTES
- 4 : 1 REEL 1000 CONNECTORS.
  - 5 : AT THE BEGINNING OF THE REEL, 30 COMPONENTS SHALL BE EMPTY. AT THE END OF THE REEL, 20 COMPONENTS SHALL BE EMPTY.
  - 6 : LET THE SENDING HOLE OF 9 TO 21 CONTACTS BE ONLY THE UPPER ONE SIDE TOWARD A DRAWING. THE SENDING HOLE OF 23 OR MORE CONTACTS IS ESTABLISHED IN BOTH SIDES, AS SHOWN IN A FIGURE.
  - 7 : A POCKET SHAPE IS DIFFERET AT INTERVALS OF EACH CAVITY NUMBER TO AVOID OVERLAP.
  - 8 : PEEL FORCE REFERS TO JIS C 0806.
  - 9 : AFTER PACKING, ROLL 2 METERS OF THE REINFORCEMENT COLLAR TO OUTER CIRCUMFERENCE OF TAPE AND REEL POCKET, AND TAPE DOWN AT THE END THE COLLAR.

DETAIL OF PART NO. LABEL

|                      |                  |
|----------------------|------------------|
| SUPPLIER             |                  |
| QUANTITY             |                  |
| PART NO.             |                  |
| CODE NO.             |                  |
| DATE OF MANUFACTURED |                  |
| 生産月日                 | 年 月 日            |
| 図番                   | CL540-****-**-69 |
| 品名                   | DF9B-*P-1V(69)   |
| 納入数量                 | 1000K口           |
| 納入者                  | ヒロセ電機(株)         |

|            |             |                |
|------------|-------------|----------------|
| <b>HRS</b> | DRAWING NO. | EDC3-341299-03 |
|            | PART NO.    | DF9B-*P-1V(69) |
|            | CODE NO.    | CL540-         |

2/2