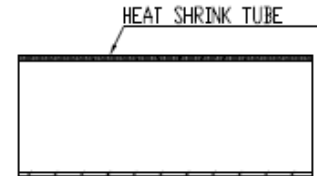
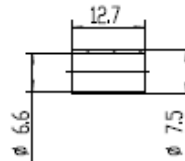
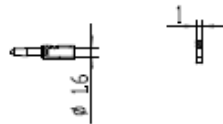
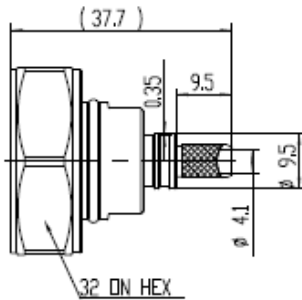
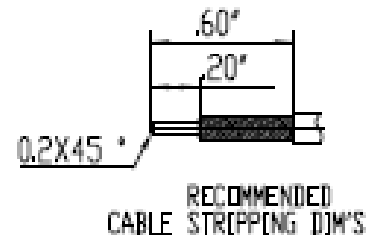


**NOTICE OF PROPRIETARY RIGHTS** THIS DOCUMENT CONTAINS CONFIDENTIAL TECHNICAL DATA, INCLUDING TRADE SECRETS, PROPRIETARY TO TIMES MICROWAVE SYSTEMS. DISCLOSURE OF THIS DATA IS EXPRESSLY CONDITIONED UPON YOUR ASSENT THAT ITS USE IS LIMITED TO USE WITHIN YOUR COMPANY ONLY. ANY OTHER USE IS STRICTLY PROHIBITED WITHOUT THE PRIOR WRITTEN CONSENT OF TIMES MICROWAVE SYSTEMS.

SYM	REVISION DESCRIPTION	DFTM	DATE	APPD	DATE
A	RELEASED FOR PRODUCTION	N. N. N	1/9/14	J. D. B.	1/10/14
B	CHANGED PER CDC #46350	N. N. N	4/20/17	J. D. B.	4/21/17



CONNECTOR ADDS: 21.9mm



REFERENCE STANDARD  
 1. ELECTRIC PERFORMANCE  
 NOMINAL IMPEDANCE(Ω)  
 FREQUENCY RANGE  
 VSWR  
 INSERT LOSS(dB)  
 INSULATION RESISTANCE(MΩ)  
 PROOF VOLTAGE(V)  
 CONTACT RESISTANCE(mΩ)

IEC61169-4  
 50  
 DC-6GHz  
 ≤1.15(DC-3GHz)  
 ≤1.30(3-6GHz)  
 ≤ 0.1  
 ≥10000  
 1500  
 OUTER CONDUCTOR <0.2  
 INNER CONDUCTOR<0.8

2. MECHANICAL PERFORMANCE  
 NUT TORQUE  
 (NUT)WHORL PULL  
 TENSILE FORCE(CABLE-CONNECTOR)  
 TORSION(CABLE-CONNECTOR)

5N.m  
 500N  
 150N  
 0.3N.m

3. MATERIAL AND PLATING  
 INNER CONDUCTOR  
 OUTER CONDUCTOR  
 NUT  
 FERRULE  
 INSULATOR  
 O-RING

SPRING COPPER Ag5μm  
 BRASS COPPER-TIN-ZINC2μm  
 BRASS Ni5μm  
 COPPER COPPER-TIN-ZINC2μm  
 PTFE  
 SILICONE RUBBER

4. ENVIRONMENT  
 TEMP.RANGE  
 WEATHER STANDARD  
 THERMAL SHOCK  
 VIBRATION  
 SHOCK  
 WATERPROOFING STANDARD  
 ROHS COMPLIANT

-40°C~+85°C  
 IEC 60068 40 / 085/ 21  
 IEC 60068 -2-14-No  
 IEC 60068-2-6-Fc  
 IEC 60068-2-27  
 IP67

5.ASSEMBLY: INNER CONDUCTOR SOLDERED AND OUTER CONDUCTOR CRIMPED

MATERIAL:	UNLESS OTHERWISE SPECIFIED		DFTM: N. N. N	TIMES MICROWAVE SYSTEMS			
	ALL DIMENSIONS ARE IN mm		DATE: 1/9/14				
USED ON: 0-0			CHKD: J. D. B.	<b>TC-240-716M-X</b> CONNECTOR, 7-16 Male for LMR-240			
			DATE: 1/10/14				
			APPD: J. D. B.				
SCALE: ~	DWG. SIZE: A	DO NOT SCALE DRAWING	CODE IDENT: 68999	DATE: 1/10/14	SHEET: 1 of 1	SD3190-2982	REV: B