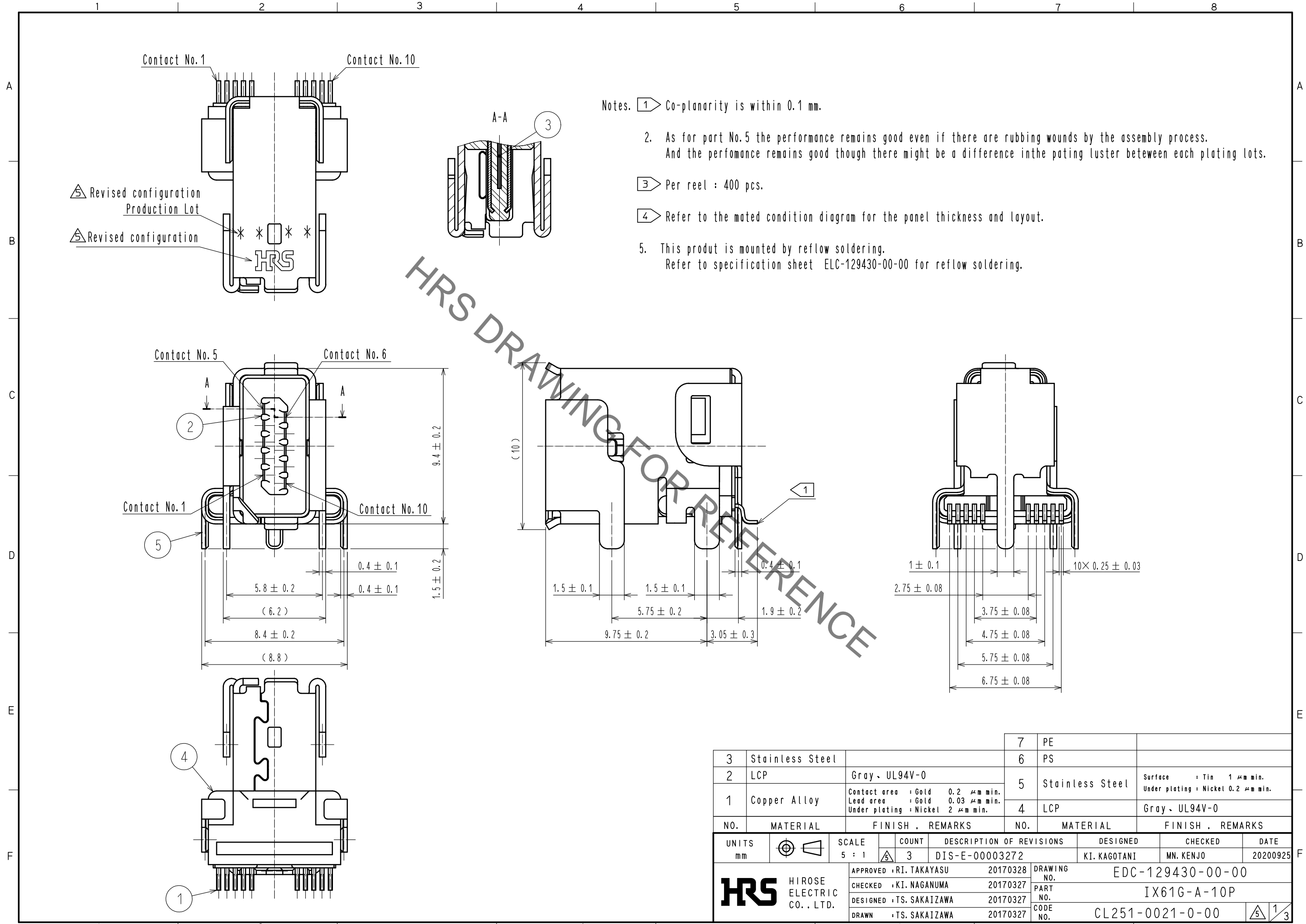


May.1.2023 Copyright 2023 HIROSE ELECTRIC CO., LTD. All Rights Reserved.
In case of consideration for using Automotive equipment / device which demand high reliability, kindly contact our sales window correspondents.



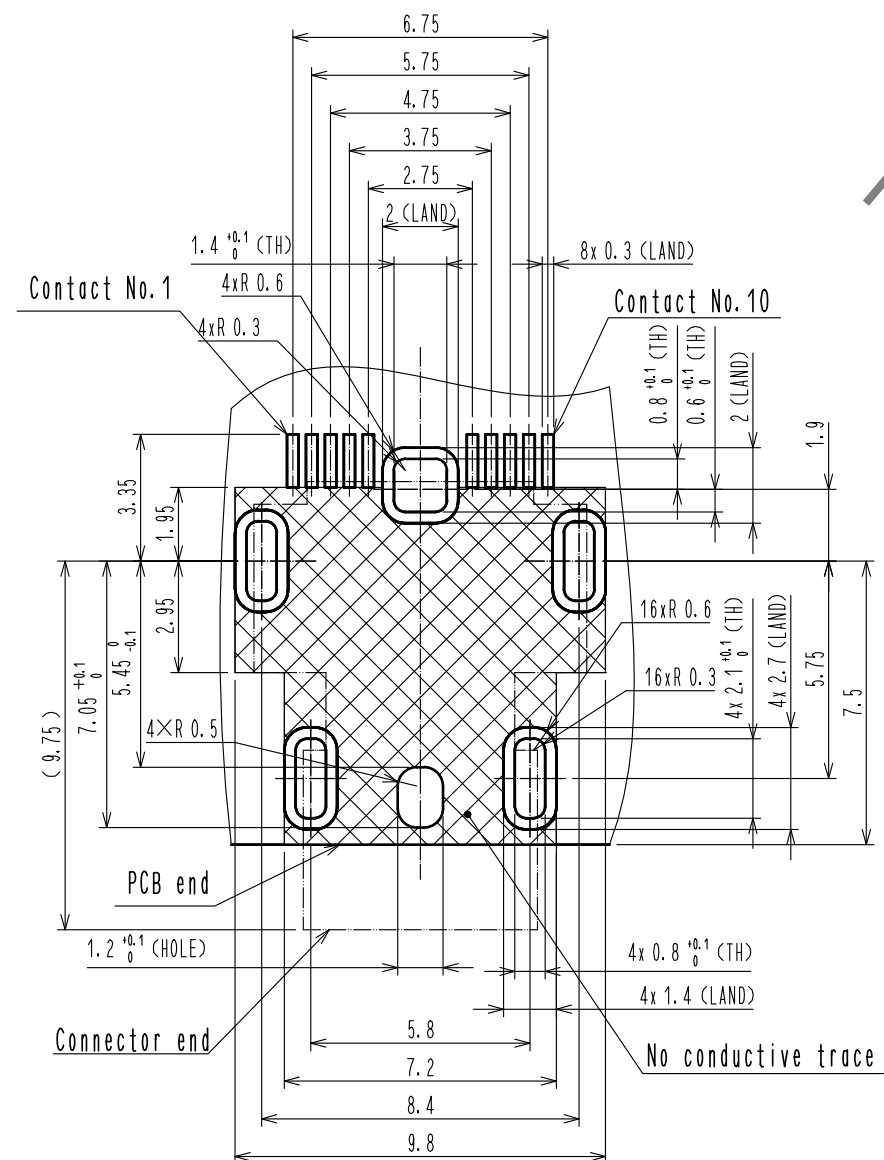
- Notes.
- 1 Co-planarity is within 0.1 mm.
 - 2 As for part No.5 the performance remains good even if there are rubbing wounds by the assembly process. And the performance remains good though there might be a difference in the plating luster between each plating lots.
 - 3 Per reel : 400 pcs.
 - 4 Refer to the mated condition diagram for the panel thickness and layout.
 - 5 This product is mounted by reflow soldering. Refer to specification sheet ELC-129430-00-00 for reflow soldering.

HRS DRAWING FOR REFERENCE

| | | | | | |
|--------------------------------------|-----------------|--|------------------------------|--|---|
| 3 | Stainless Steel | | 7 | PE | |
| 2 | LCP | Gray - UL94V-0 | 6 | PS | |
| 1 | Copper Alloy | Contact area : Gold 0.2 μm min. Lead area : Gold 0.03 μm min. Under plating : Nickel 2 μm min. | 5 | Stainless Steel | Surface : Tin 1 μm min. Under plating : Nickel 0.2 μm min. |
| NO. | MATERIAL | FINISH . REMARKS | NO. | MATERIAL | FINISH . REMARKS |
| UNITS mm | | SCALE 5 : 1 | COUNT 3 | DESCRIPTION OF REVISIONS DIS-E-00003272 | DESIGNED KI. KAGOTANI |
| HRS HIROSE ELECTRIC CO., LTD. | | APPROVED : RI. TAKAYASU 20170328 | DRAWING NO. EDC-129430-00-00 | | |
| | | CHECKED : KI. NAGANUMA 20170327 | PART NO. IX61G-A-10P | | |
| | | DESIGNED : TS. SAKAIZAWA 20170327 | CODE NO. CL251-0021-0-00 | | |
| | | DRAWN : TS. SAKAIZAWA 20170327 | 1/3 | | |

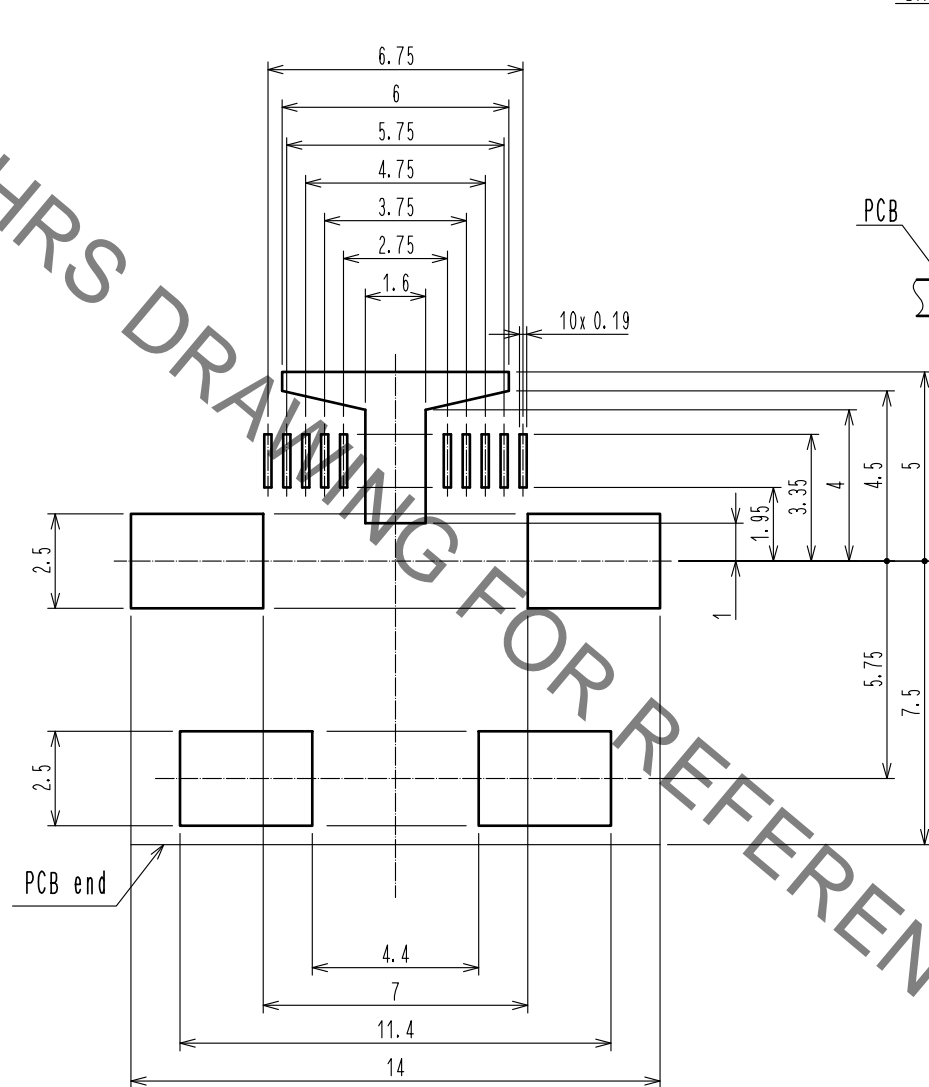
May.1.2023 Copyright 2023 HIROSE ELECTRIC CO., LTD. All Rights Reserved.
In case of consideration for using Automotive equipment / device which demand high reliability, kindly contact our sales window correspondents.

Reference PCB Layout (Connector Mounting Side) (t = 1.6)



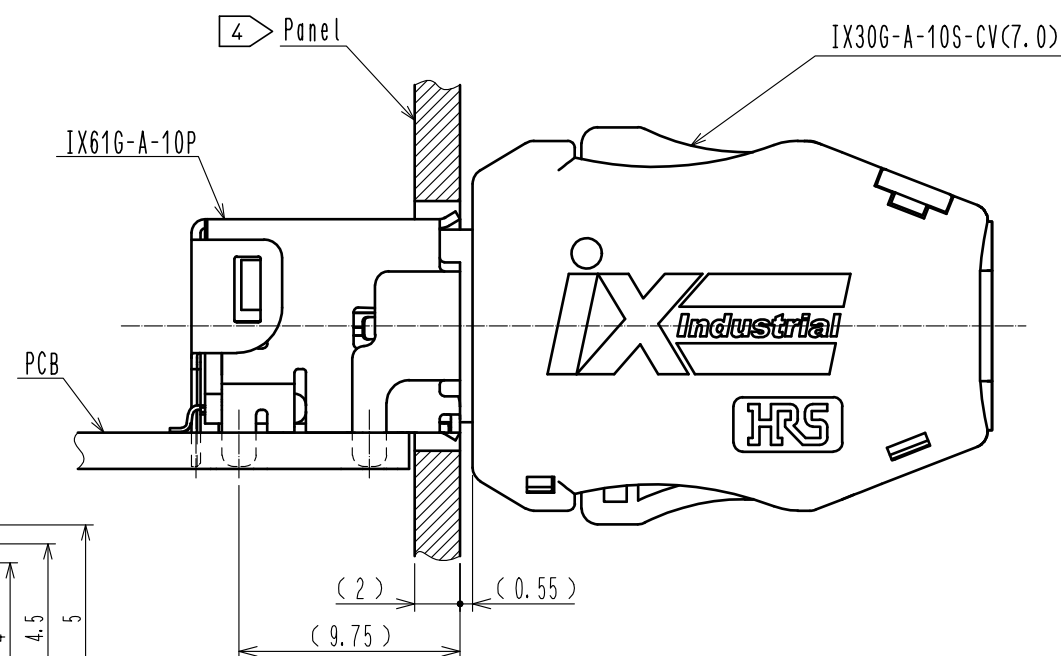
General tolerance is +/- 0.05

Reference Metal Mask Layout (t = 0.15)

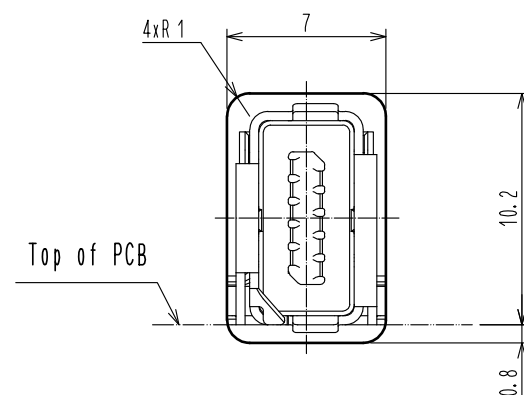


General tolerance is +/- 0.02

Mated Condition (Free)



Reference Dimensions of Panel Cutout (Free)



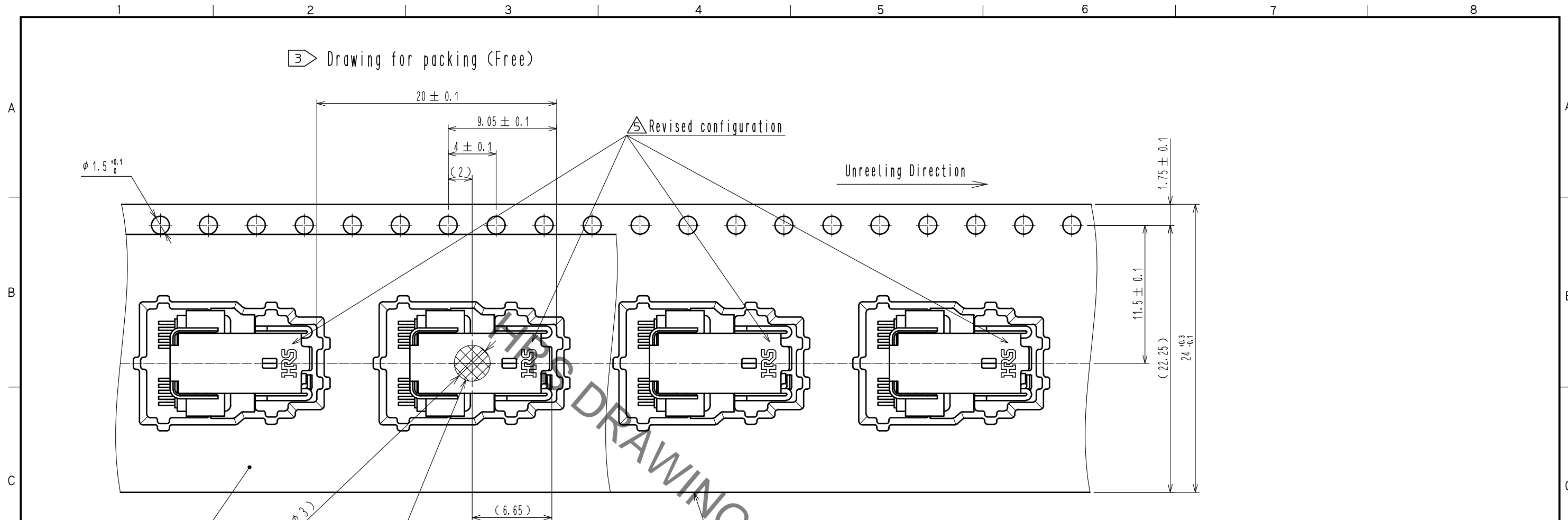
Dimension is reference.

- 6 Thickness of metal mask is 0.1 mm min.
- Metal mask dimensions of the drawings described, are reference dimensions for 0.15 mm thickness metal mask.
- Change the metal mask dimensions by thickness of the metal mask, thickness of PCB, component of solder paste and mounting conditions.
- Change the metal mask dimensions in case of mounting IX61G-+-10P in parallel.
- Change the metal mask dimensions, if there are other mounting parts or implementation pattern around the portion of mounting position of IX61G-+-10P.
- Refer to the technical specification (ETAD-E3170-00) for different variations of the metal mask pattern width.

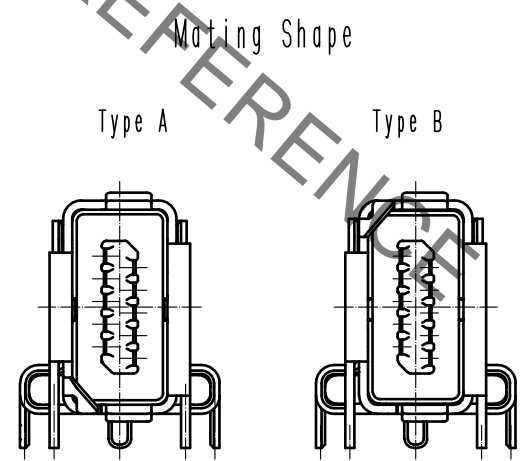
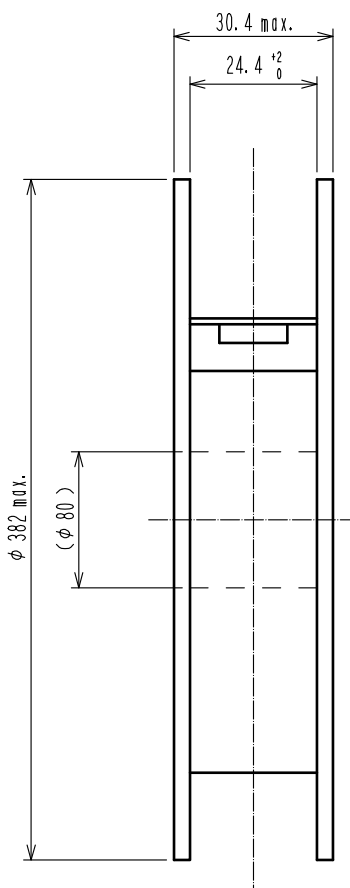
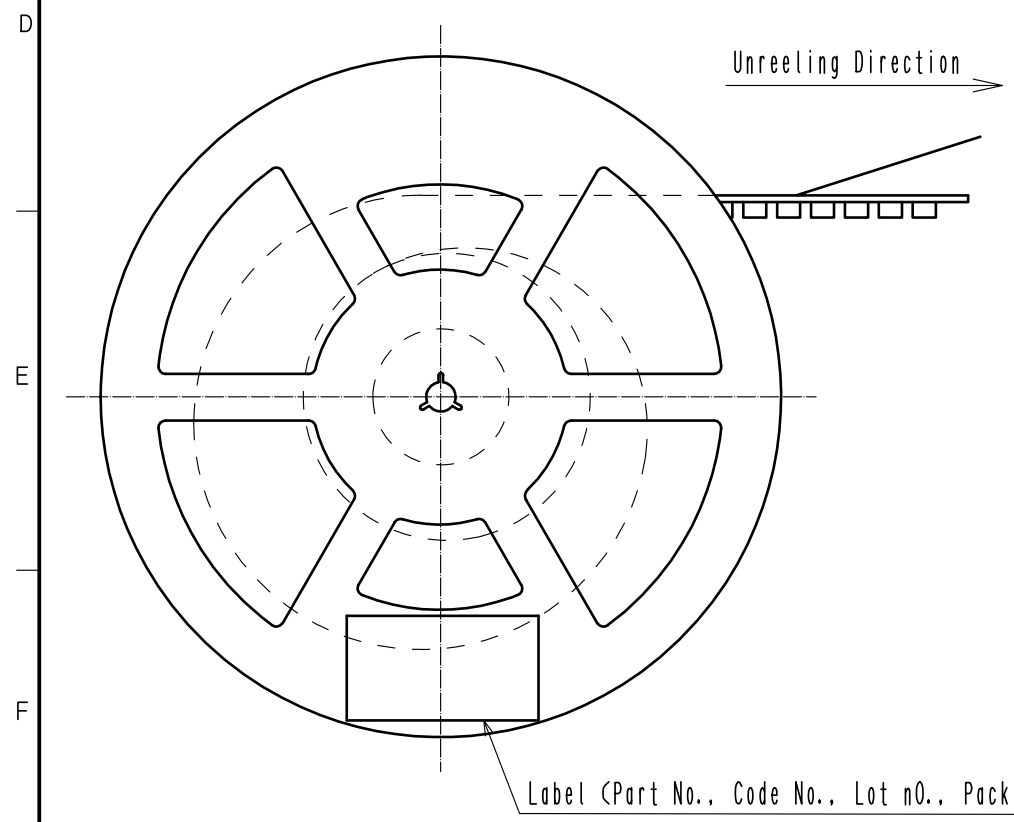
| | | |
|------------|-------------|------------------|
| HRS | DRAWING NO. | EDC-129430-00-00 |
| | PART NO. | IX61G-A-10P |
| | CODE NO. | CL251-0021-0-00 |
| | | 2/3 |

May.1.2023 Copyright 2023 HIROSE ELECTRIC CO., LTD. All Rights Reserved.
 In case of consideration for using Automotive equipment / device which demand high reliability, kindly contact our sales window correspondents.

3 Drawing for packing (Free)



Notes. 7. This product (Type A) is defined for 10/100 Mbit/s and 1/10 Gbit/s Ethernet communication. Please use Type B for all other non Ethernet applications like signaling, serial or other industrial bus communication systems.



Pin Assignment For 10/100 Mbit/s And 1/10 Gbit/s Ethernet

| Contact No. | Signal | |
|-------------|---------------|-------------|
| | 10/100 Mbit/s | 1/10 Gbit/s |
| 1 | TX+ | BI_DA+ |
| 2 | TX- | BI_DA- |
| 3 | N. C | GND |
| 4 | N. C | BI_DC+ |
| 5 | N. C | BI_DC- |
| 6 | RX+ | BI_DB+ |
| 7 | RX- | BI_DB- |
| 8 | N. C | GND |
| 9 | N. C | BI_DD+ |
| 10 | N. C | BI_DD- |

| | | |
|------------|-------------|------------------|
| HRS | DRAWING NO. | EDC-129430-00-00 |
| | PART NO. | IX61G-A-10P |
| | CODE NO. | CL251-0021-0-00 |
| | | 5/3 |