

LT3942

36V 4-Switch Buck-Boost Voltage Regulator

DESCRIPTION

Demonstration circuit DC3103A is a monolithic 4-Switch buck-boost voltage regulator featuring the [LT[®]3942](#). It has been designed with an output voltage set to 12V with capability of delivering up to 1A when the input voltage is between 7V and 36V. The demonstration circuit continues operating with an input voltage as low as 3V with reduced output power capability. DC3103A is configured for 2MHz switching frequency with spread spectrum frequency modulation (SSFM) disabled. When enabled, SSFM adjusts the switching frequency of the LT3942 between 2MHz and 2.5MHz for improved EMI performance.

The LT3942 has an operating input voltage range of 3V to 36V. It has internal, synchronous 40V switches for high efficiency and small size. It has an adjustable switching frequency between 300kHz and 2MHz. The LT3942 can be synchronized to an external oscillator source, programmed with SSFM enabled for low EMI, or set to normal operation.

The board is designed with ceramic capacitors placed near the PVIN and PVOU pins to form a compact high frequency hotloop. SMD pads are available to install an optional ferrite bead EMI filter on both the input and output of DC3103A. Small cuts on the top layer copper between the SMD pads of both ferrite bead components are necessary to install the EMI filter correctly. These

filters, combined with proper board layout and SSFM, are effective in reducing both radiated and conducted EMI. Please follow the recommended layout and four-layer PCB thickness of DC3103A for low EMI applications.

DC3103A uses the LT3942's voltage regulation loop to program a constant-voltage output of 12V. The LT3942 can operate as a constant voltage regulator as well as a constant current regulator. For LED driver designs, please refer to demonstration circuit DC2404A. DC2404A includes a high-side PMOS disconnect switch to assist with PWM dimming, as well as several other optimizations for LED driver applications.

The LT3942 datasheet gives a complete description of the part, operation, and applications information. The datasheet must be read in conjunction with this User Guide for DC3103A. The LT3942EUF is assembled in a 28-lead plastic QFN (UFD) package with a thermally-enhanced exposed ground pad. Proper board layout is essential for maximum thermal and low-noise performance. Refer to DC3103A's design files for recommended layout and routing of the LT3942 for voltage regulator applications.

[Design files for this circuit board are available.](#)

All registered trademarks and trademarks are the property of their respective owners.

DEMO MANUAL DC3103A

PERFORMANCE SUMMARY

PARAMETER	CONDITIONS	MIN	TYP	MAX	UNITS
Input Voltage PV_{IN} Range	Operating	3		36	V
Input Voltage PV_{IN} Range (Full Power)	$V_{OUT} = 12V, I_{OUT} = 1A$	7		36	V
Switching Frequency (f_{SW})	$R4 = 14.3k\Omega, JP1 = NO$ SSFM/SYNC		2.0		MHz
Spread Spectrum (SSFM) Range	$R4 = 14.3k\Omega, JP1 = SSFM$	2.0		2.5	MHz
Output Voltage V_{OUT}	$R2 = 110k\Omega, R3 = 10k\Omega$		12		V
Typical Efficiency	$PV_{IN} = 12V, V_{OUT} = 12V, I_{OUT} = 1A, f_{SW} = 2MHz$ $JP1 = NO$ SSFM/SYNC		89		%
Peak Switch Current Limit		2.2	2.5	2.8	A
PV_{IN} Undervoltage Lockout (UVLO) Falling	$R7 = 402k\Omega, R12 = 324k\Omega$		3.0		V
PV_{IN} Enable Turn-On (EN) Rising	$R7 = 402k\Omega, R12 = 324k\Omega$		4.0		V
PV_{IN} Quiescent Current	$V_{EN/UVLO} = 0.3V, V_{OUT} = 12V$		0.9	2	μA
	$V_{EN/UVLO} = 1.3V, V_{OUT} = 12V, \text{Not Switching}$		2.6	4	mA

QUICK START PROCEDURE

Demonstration circuit DC3103A is easy to set up to evaluate the performance of the LT3942. Follow the procedure below.

1. With power off, connect a load capable of 12V 1A operation between the V_{OUT} and GND turrets on the PCB as shown in Figure 1.
2. Connect the EN/UVLO turret to GND.
3. Set JP1 to NO SSFM/SYNC to run without SSFM.
4. With power off, connect an input power supply to the PV_{IN} and GND turrets. Make sure that the DC input voltage will not exceed 40V.
5. Turn the input power supply on and adjust the voltage between 7V and 36V for full output power capability and accurate 12V output regulation. Below 7V, output power capability is reduced.
6. Release the EN/UVLO-to-GND connection.
7. Observe the load running at the programmed output voltage.
8. To enable spread spectrum frequency modulation, set JP1 to SSFM ON.

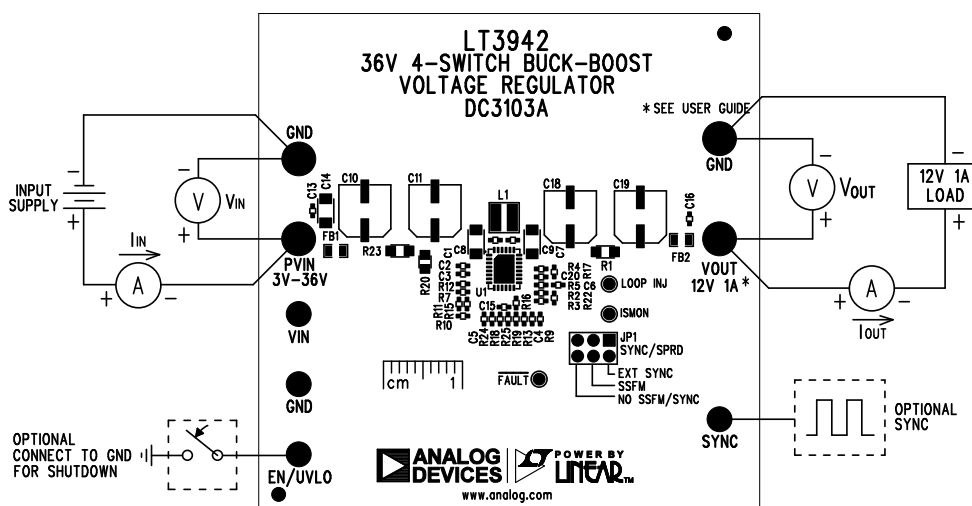


Figure 1. . Test Procedure Setup Drawing for DC3103A

QUICK START PROCEDURE

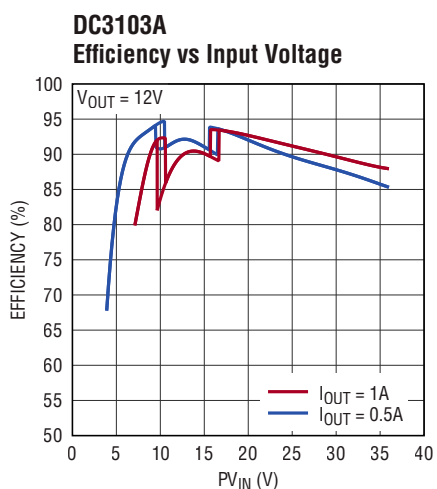


Figure 2. DC3103A Efficiency vs Input Voltage, SSFM OFF

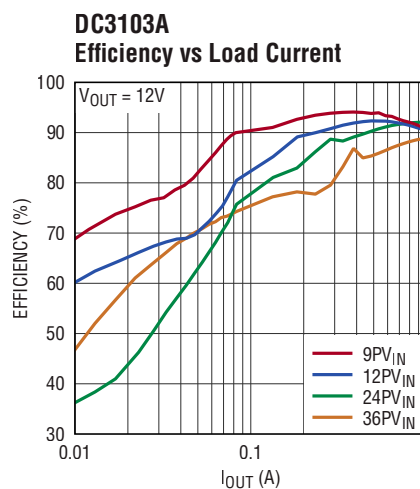


Figure 3. DC3103A Efficiency vs Load Current, SSFM OFF

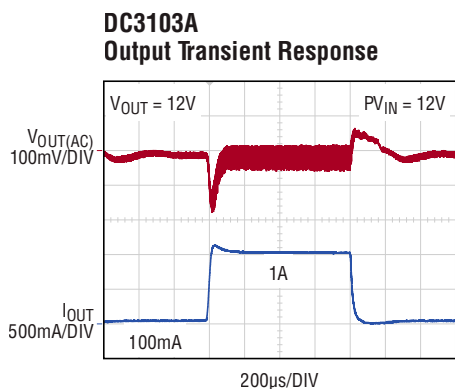


Figure 4. DC3103A 10% to 100% Load Step Transient

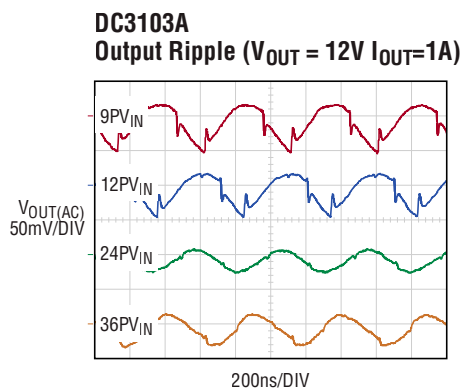


Figure 5. DC3103A Output Ripple (20MHz Bandwidth Limit)



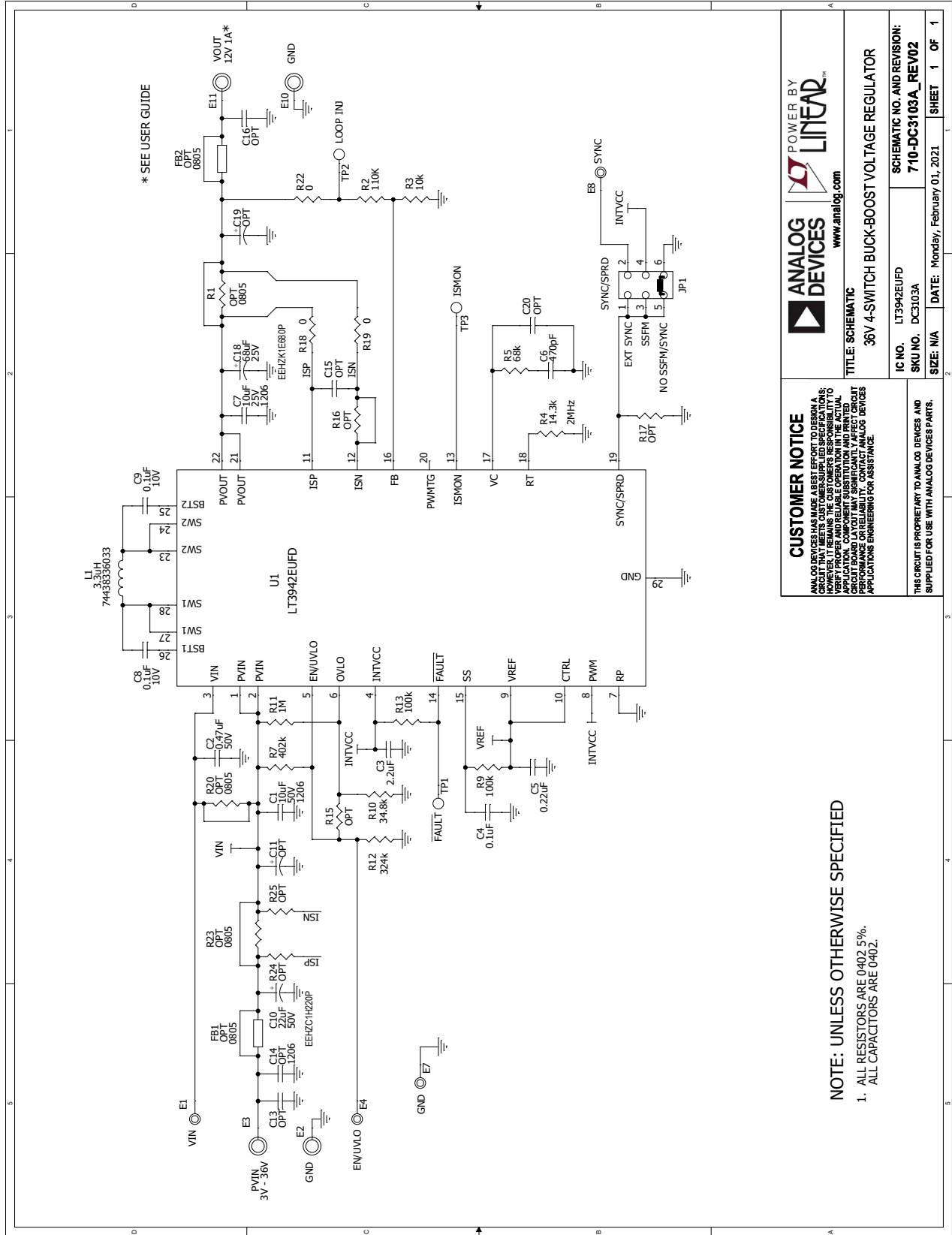
Figure 6. DC3103A Thermal Image, 10 Minute Runtime, 23°C Ambient $PV_{IN} = 12V$, $V_{OUT} = 12V$, $I_{OUT} = 1A$, SSFM OFF

DEMO MANUAL DC3103A

PARTS LIST

ITEM	QTY	REFERENCE	PART DESCRIPTION	MANUFACTURER/PART NUMBER
Required Circuit Components				
1	1	C1	CAP, 10uF, X5R, 50V, 10%, 1206	TAIYO YUDEN, UMK316BBJ106KL-T
2	1	C2	CAP, 0.47uF, X5R, 50V, 10%, 0402	MURATA, GRM155R61H474KE11D
3	1	C3	CAP, 2.2uF, X5R, 6.3V, 10%, 0402	AVX, 04026D225KAT2A
4	3	C4, C8, C9	CAP, 0.1uF, X7R, 10V, 10%, 0402	AVX, 0402ZC104KAT2A
5	1	C5	CAP, 0.22uF, X7R, 6.3V, 10%, 0402	KEMET, C0402C224K9RACTU
6	1	C6	CAP, 470pF, C0G, 50V, 5%, 0402, AEC-Q200	TDK, CGA2B2C0G1H471J050BA
7	1	C7	CAP, 10uF, X7R, 25V, 10%, 1206	AVX, 12063C106KAT2A
8	1	C18	CAP, 68uF, ALUM POLY HYB, 25V, 20%, 6.3x5.8mm, SMD, RADIAL, AEC-Q200	PANASONIC, EEHZK1E680P
9	1	L1	IND., 3.3uH, WE-MAPI, 20%, 2.2A, 114mOHMS, 3020	WURTH ELEKTRONIK, 74438336033
10	1	R2	RES., 110k OHMS, 1%, 1/16W, 0402, AEC-Q200	VISHAY, CRCW0402110KFKED
11	1	R3	RES., 10k OHMS, 5%, 1/16W, 0402, AEC-Q200	VISHAY, CRCW040210K0JNED
12	1	R4	RES., 14.3k OHMS, 1%, 1/10W, 0402, AEC-Q200	PANASONIC, ERJ2RKF1432X
13	1	R5	RES., 68k OHMS, 5%, 1/16W, 0402	VISHAY, CRCW040268K0JNED
14	1	R7	RES., 402k OHMS, 1%, 1/10W, 0402, AEC-Q200	PANASONIC, ERJ2RKF4023X
15	1	R9	RES., 100k OHMS, 5%, 1/16W, 0402, AEC-Q200	VISHAY, CRCW0402100KJNED
16	1	R10	RES., 34.8k OHMS, 1%, 1/10W, 0402, AEC-Q200	PANASONIC, ERJ2RKF3482X
17	1	R11	RES., 1M OHM, 5%, 1/16W, 0402, AEC-Q200	VISHAY, CRCW04021M00JNED
18	1	R12	RES., 324k OHMS, 1%, 1/10W, 0402, AEC-Q200	PANASONIC, ERJ2RKF3243X
19	1	U1	IC, 36V, 2A SYNC. BUCK-BOOST CVRTR, QFN-28,	ANALOG DEVICES, LT3942EUFD#PBF
Additional Demo Board Circuit Components				
1	1	C10	CAP, 22uF ALUM POLY HYB, 50V, 20%, 6.3x5.8mm, SMD, RADIAL, AEC-Q200	PANASONIC, EEHZC1H220P
2	0	C11, C19	CAP, OPTION, ALUM. ELECT., SMD	
3	0	C13, C15, C16, C20	CAP, OPTION, 0402	
4	0	C14	CAP, OPTION, 1206	
5	0	FB1, FB2	IND., FERRITE BEAD, OPT, 0805	
6	0	R1, R20, R23	RES., OPTION, 0805	
7	0	R15, R16, R17, R24, R25	RES., OPTION, 0402	
8	2	R18, R19	RES., 0 OHM, 1/10W, 0402, AEC-Q200	PANASONIC, ERJ2GE0R00X
9	1	R22	RES., 0 OHM, 1/16W, 0402, AEC-Q200	VISHAY, CRCW04020000Z0ED
10	1	R13	RES., 100k OHMS, 5%, 1/16W, 0402, AEC-Q200	VISHAY, CRCW0402100KJNED
Hardware: For Demo Board Only				
1	4	E1, E4, E7, E8	TEST POINT, TURRET, 0.064" MTG. HOLE, PCB 0.062" THK	MILL-MAX, 2308-2-00-80-00-00-07-0
2	4	E2, E3, E10, E11	TEST POINT, TURRET, 0.094" MTG. HOLE, PCB 0.062" THK	MILL-MAX, 2501-2-00-80-00-00-07-0
3	1	JP1	CONN., HDR, MALE, 2x3, 2mm, VERT, ST, THT	WURTH ELEKTRONIK, 62000621121
4	1	XJP1	CONN., SHUNT, FEMALE, 2 POS, 2mm	WURTH ELEKTRONIK, 60800213421

SCHEMATIC DIAGRAM



<p>CUSTOMER NOTICE ANALOG DEVICES HAS MADE A BEST EFFORT TO DESIGN A CIRCUIT THAT MEETS CUSTOMER-SUPPLIED SPECIFICATIONS AND DOES NOT VIOLATE ANY APPLICABLE REGULATORY REQUIREMENTS. HOWEVER, THE ACTUAL PERFORMANCE OF ANY PRODUCT IN AN APPLICATION DEPENDS ON MANY FACTORS, INCLUDING APPLICATION, COMPONENT SUBSTITUTION AND PRINTED CIRCUIT BOARD DESIGN. ANALOG DEVICES DOES NOT WARRANT PERFORMANCE OR RELIABILITY. CONTACT ANALOG DEVICES APPLICATIONS ENGINEERING FOR ASSISTANCE.</p>	<p>ANALOG DEVICES www.analog.com</p>	<p>POWER BY LINEAR™</p>
	<p>TITLE: SCHEMATIC 36V 4-SWITCH BUCK-BOOST VOLTAGE REGULATOR</p>	
<p>IC NO. LT3942EUFD</p>		<p>SCHEMATIC NO. AND REVISION: 710-DC3103A_REV02</p>
<p>THIS CIRCUIT IS PROPRIETARY TO ANALOG DEVICES AND SUPPLIED FOR USE WITH ANALOG DEVICES PARTS.</p>		<p>SKU NO. DC3103A</p>
<p>DATE: Monday, February 01, 2021</p>		<p>SHEET 1 OF 1</p>

NOTE: UNLESS OTHERWISE SPECIFIED
 1. ALL RESISTORS ARE 0402 5%.
 ALL CAPACITORS ARE 0402.



ESD Caution

ESD (electrostatic discharge) sensitive device. Charged devices and circuit boards can discharge without detection. Although this product features patented or proprietary protection circuitry, damage may occur on devices subjected to high energy ESD. Therefore, proper ESD precautions should be taken to avoid performance degradation or loss of functionality.

Legal Terms and Conditions

By using the evaluation board discussed herein (together with any tools, components documentation or support materials, the "Evaluation Board"), you are agreeing to be bound by the terms and conditions set forth below ("Agreement") unless you have purchased the Evaluation Board, in which case the Analog Devices Standard Terms and Conditions of Sale shall govern. Do not use the Evaluation Board until you have read and agreed to the Agreement. Your use of the Evaluation Board shall signify your acceptance of the Agreement. This Agreement is made by and between you ("Customer") and Analog Devices, Inc. ("ADI"), with its principal place of business at One Technology Way, Norwood, MA 02062, USA. Subject to the terms and conditions of the Agreement, ADI hereby grants to Customer a free, limited, personal, temporary, non-exclusive, non-sublicensable, non-transferable license to use the Evaluation Board FOR EVALUATION PURPOSES ONLY. Customer understands and agrees that the Evaluation Board is provided for the sole and exclusive purpose referenced above, and agrees not to use the Evaluation Board for any other purpose. Furthermore, the license granted is expressly made subject to the following additional limitations: Customer shall not (i) rent, lease, display, sell, transfer, assign, sublicense, or distribute the Evaluation Board; and (ii) permit any Third Party to access the Evaluation Board. As used herein, the term "Third Party" includes any entity other than ADI, Customer, their employees, affiliates and in-house consultants. The Evaluation Board is NOT sold to Customer; all rights not expressly granted herein, including ownership of the Evaluation Board, are reserved by ADI. CONFIDENTIALITY. This Agreement and the Evaluation Board shall all be considered the confidential and proprietary information of ADI. Customer may not disclose or transfer any portion of the Evaluation Board to any other party for any reason. Upon discontinuation of use of the Evaluation Board or termination of this Agreement, Customer agrees to promptly return the Evaluation Board to ADI. ADDITIONAL RESTRICTIONS. Customer may not disassemble, decompile or reverse engineer chips on the Evaluation Board. Customer shall inform ADI of any occurred damages or any modifications or alterations it makes to the Evaluation Board, including but not limited to soldering or any other activity that affects the material content of the Evaluation Board. Modifications to the Evaluation Board must comply with applicable law, including but not limited to the RoHS Directive. TERMINATION. ADI may terminate this Agreement at any time upon giving written notice to Customer. Customer agrees to return to ADI the Evaluation Board at that time. LIMITATION OF LIABILITY. THE EVALUATION BOARD PROVIDED HEREUNDER IS PROVIDED "AS IS" AND ADI MAKES NO WARRANTIES OR REPRESENTATIONS OF ANY KIND WITH RESPECT TO IT. ADI SPECIFICALLY DISCLAIMS ANY REPRESENTATIONS, ENDORSEMENTS, GUARANTEES, OR WARRANTIES, EXPRESS OR IMPLIED, RELATED TO THE EVALUATION BOARD INCLUDING, BUT NOT LIMITED TO, THE IMPLIED WARRANTY OF MERCHANTABILITY, TITLE, FITNESS FOR A PARTICULAR PURPOSE OR NON-INFRINGEMENT OF INTELLECTUAL PROPERTY RIGHTS. IN NO EVENT WILL ADI AND ITS LICENSORS BE LIABLE FOR ANY INCIDENTAL, SPECIAL, INDIRECT, OR CONSEQUENTIAL DAMAGES RESULTING FROM CUSTOMER'S POSSESSION OR USE OF THE EVALUATION BOARD, INCLUDING BUT NOT LIMITED TO LOST PROFITS, DELAY COSTS, LABOR COSTS OR LOSS OF GOODWILL. ADI'S TOTAL LIABILITY FROM ANY AND ALL CAUSES SHALL BE LIMITED TO THE AMOUNT OF ONE HUNDRED US DOLLARS (\$100.00). EXPORT. Customer agrees that it will not directly or indirectly export the Evaluation Board to another country, and that it will comply with all applicable United States federal laws and regulations relating to exports. GOVERNING LAW. This Agreement shall be governed by and construed in accordance with the substantive laws of the Commonwealth of Massachusetts (excluding conflict of law rules). Any legal action regarding this Agreement will be heard in the state or federal courts having jurisdiction in Suffolk County, Massachusetts, and Customer hereby submits to the personal jurisdiction and venue of such courts. The United Nations Convention on Contracts for the International Sale of Goods shall not apply to this Agreement and is expressly disclaimed.