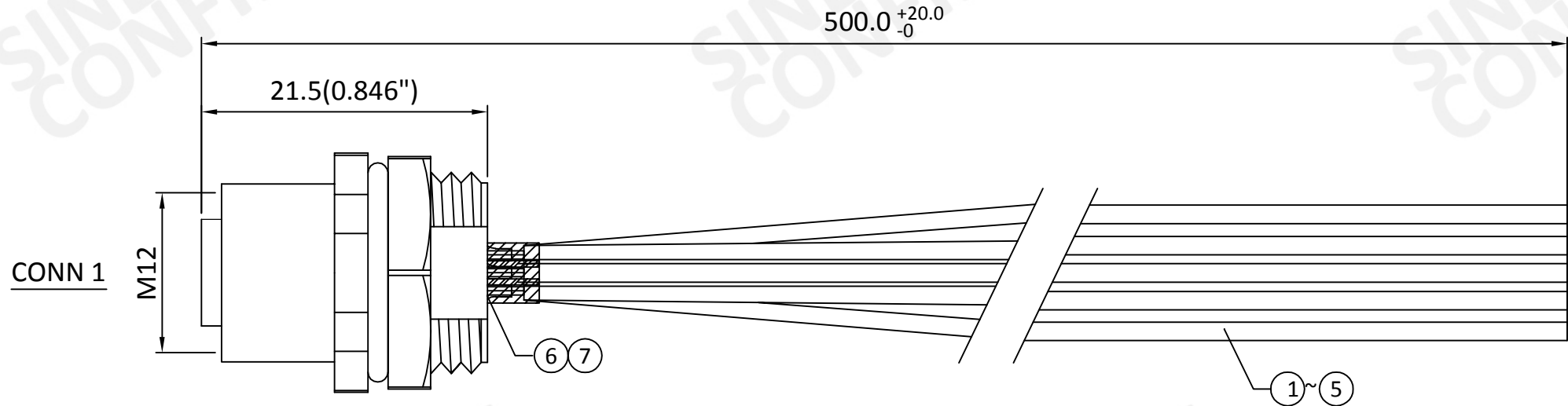
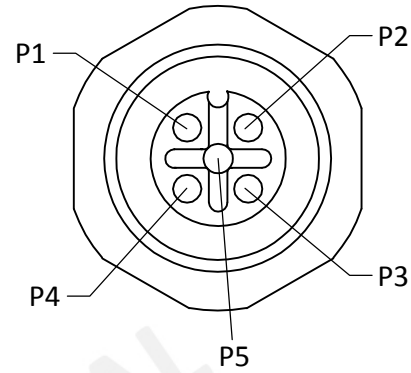


REV.	ECN NO.	DATE	BY	DESCRIPTION
01		Sep/03/2020	Aine Li	RELEASED



WIRE RUN LIST		
AWG	CONN 1	COLOR
24	1	BROWN
	2	WHITE
	3	BLUE
	4	BLACK
	5	GRAY

NOTES:

- TESTING SPEC.:
COND. RESISTANCE: 3Ω MAX.
INSUL. RESISTANCE: 10MΩ MIN.
TESTING VOLTAGE: 200V DC
- IP67 WHEN MATED.
- FOLLOW IPC620 CLASS II STANDARD TO ASSEMBLY AND INSPECTION.
- RoHS COMPLIANCE.

7.	A/R	HEAT SHRINK TUBE,UL224,1Q,BLACK,ID=1.3,T=0.2(A5340000000SD)
6.	1	M12 CONN., A-CODE, FEMALE, 5P(A30150227001SD)
5.	A/R	HOOK-UP WIRE, UL1213 #24, WHITE, OD=0.98, PTFE (A10902921001SD)
4.	A/R	HOOK-UP WIRE, UL1213 #24, BLACK, OD=0.98, PTFE (A10902920001SD)
3.	A/R	HOOK-UP WIRE, UL1213 #24, BROWN, OD=0.98, PTFE (A10902919001SD)
2.	A/R	HOOK-UP WIRE, UL1213 #24, GRAY, OD=0.98, PTFE (A10902913001SD)
1.	A/R	HOOK-UP WIRE, UL1213 #24, BLUE, OD=0.98, PTFE (A10902912001SD)
ITEM	QTY	DESCRIPTION

THIS DRAWING CONTAINS CONFIDENTIAL INFORMATION AND IS THE PROPERTY OF SINBON ELECTRONICS CO., LTD. IT MAY NOT BE USED OR ITS CONTENTS COPIED OR DISCLOSED TO A THIRD PARTY WITHOUT PRIOR WRITTEN CONSENT AND IS TO BE RETURNED PROMPTLY UPON REQUEST BY SINBON ELECTRONICS CO., LTD.

CUSTOMER : DigiKey		REV. : N/A		 SINBON Electronics Co., Ltd. DESCRIPTION : 5P female rear wire, IP67, 0.5m	
CUSTOMER P/N : N/A		DRA. : Sep/03/2020 Aine Li			
UNLESS OTHERWISE SPECIFIED TOLERANCE :		CHK. : Sep/03/2020 Kevin Qiu		PART NUMBER : M12A-05PF0-UL24N05	
1 ~ 10 : ±1 11 ~ 30 : ±2 31 ~ 50 : ±3 51 ~ 200 : ±5 201 ~ 400 : ±7 > 401 : ±10 ANGLES : ±1°		APR. : Sep/03/2020 Kevin Qiu		REV. : 01	
		SIZE : A3		UNIT : mm SCALE : NONE SHEET : 1 of 1	