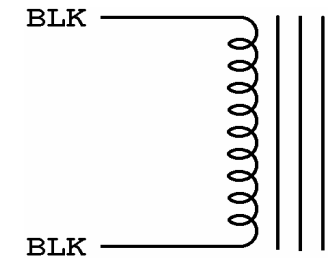
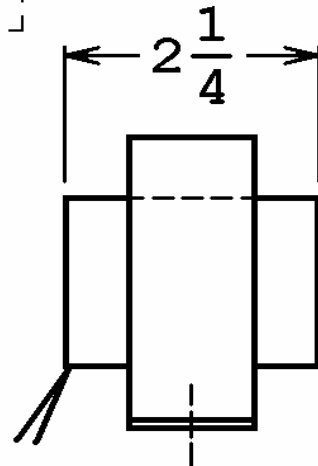
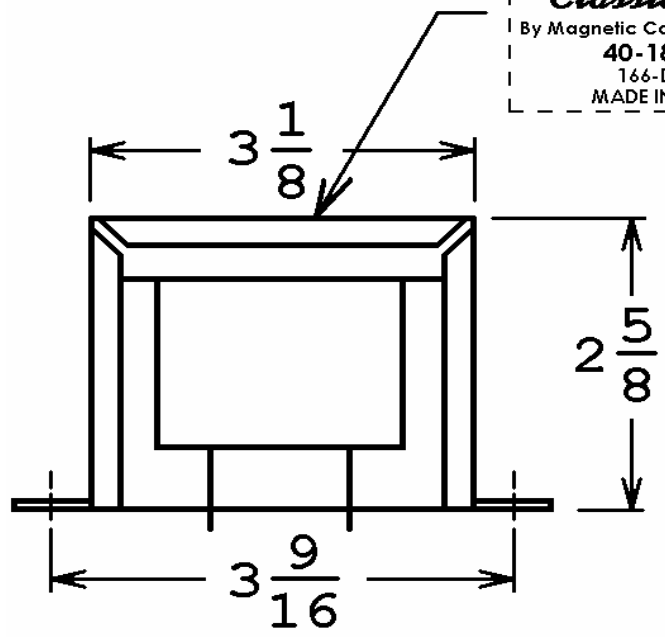


40-18082

This drawing is the property of Magnetic Components, Inc. and shall not be reproduced, in whole or in part, without the written permission of Magnetic Components, Inc.

REVISIONS			
LTR	DESCRIPTION	DATE	APPROVED

**ClassicTone™**  
 By Magnetic Components, Inc.  
 40-18082  
 166-DATE  
 MADE IN U.S.A.



L = 10 Hy @ 100mA DC  
 D.C. RESISTANCE = 270 Ω

UNLESS OTHERWISE SPECIFIED ALL DIMENSIONS IN INCHES DO NOT SCALE DRAWING	SIGNATURES		DATE	MAGNETIC COMPONENTS, INC.	DIV : LOC : SCHILLER PK	
	DRAWN : <i>MJF</i>		14 SEP 2011	TITLE AC15 CHOKE		
	CHECK :					
	APPR : <i>M. Lakota</i>		14 SEP 2011	CAGE 50508	SIZE <b>A</b>	PART No. <b>40-18082</b>
FRACTIONS +/-			SCALE NONE	SHEET :		
.X = +/-						
.XX = +/-						
.XXX = +/-						
ANGLES = +/-						