

Adapter Metal Han 10A/16A D-Sub 25/37

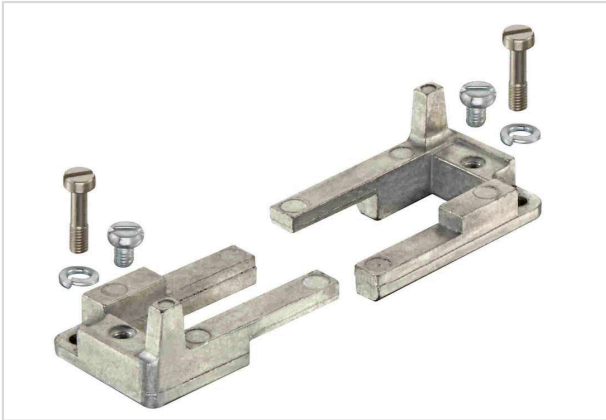


Image is for illustration purposes only. Please refer to product description.

Part number	09 20 000 9925
Specification	Adapter Metal Han 10A/16A D-Sub 25/37
HARTING eCatalogue	https://b2b.harting.com/09200009925

Identification

Category	Accessories
Type of accessory	Adapter plate
Description of the accessory	for 1 x D-Sub
Adapter for	D-Sub 3 in the Han [®] 10 A D-Sub 4 in the Han [®] 16 A

Version

Pack contents	Two-piece adapter 2 fixing screws for adapter 2 fixing screws for D-Sub connector
---------------	---

Material properties

Material (accessories)	Metal
RoHS	compliant
ELV status	compliant
China RoHS	e
REACH Annex XVII substances	Not contained
REACH ANNEX XIV substances	Not contained
REACH SVHC substances	Not contained
California Proposition 65 substances	Yes
California Proposition 65 substances	Lead Nickel



Pushing Performance
Since 1945

Commercial data

Packaging size	1
Net weight	37.46 g
Country of origin	Germany
European customs tariff number	85389099
GTIN	5713140038189
eCl@ss	27440201 Adapter plate industrial connectors