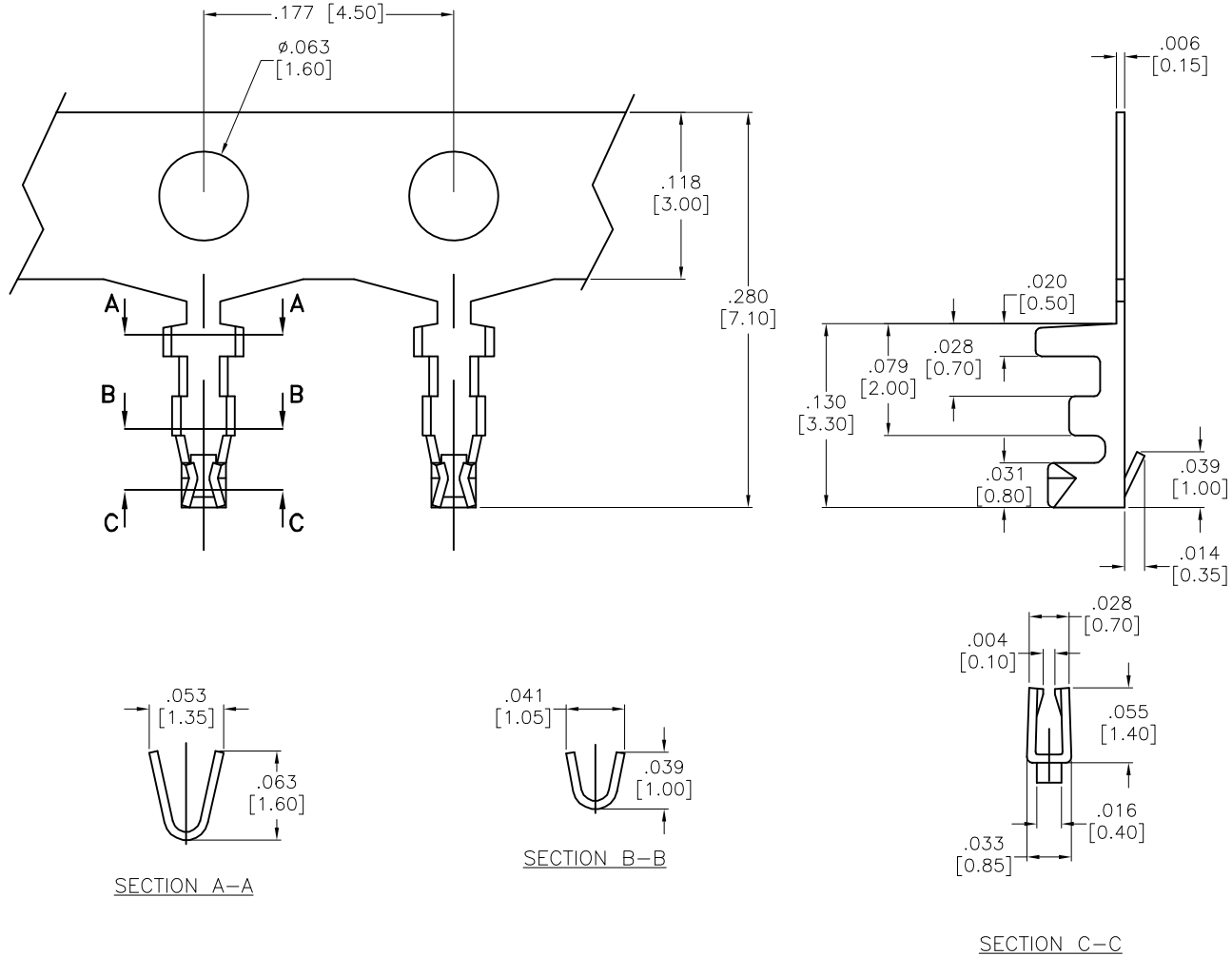


APPROVED: \_\_\_\_\_  
 DATE: \_\_\_\_\_ TITLE: \_\_\_\_\_

Rev	AWO #	Description	Date	Appr
-		RELEASED	01/17/07	
A		UPDATE DRAWING	10/25/17	AY/NC



**SPECIFICATIONS:**

Material: Phosphor Bronze 0.15mm Thickness  
 Plating: Tin Plated

**Electrical:**

Current rating: 1 Amp max AC/DC  
 Contact resistance: 20 mohms max.  
 Insulation resistance: 100 Mohms min  
 Dielectric withstanding voltage: 125 VAC for 1 minute

**Mechanical:**

Wire Range: 28-32 AWG.  
 Packaging: 15,000 Pcs / Reel

**Environmental:**

Lead free, RoHS compliant.



UNLESS OTHERWISE SPECIFIED ALL DIMENSIONS ARE INCHES [MM] TOLERANCES: EXCEPT AS NOTED INCHES HOLES .X ± .10 Ø.X ± .10 .XX ± .020 Ø.XX ± .015 .XXX ± .015 Ø.XXX ± .010		<b>ADAM TECH</b> 909 Rahway Avenue, Union, NJ 07083 Phone: 908-687-5000 Fax: 908-687-5710	
APPROVALS DRAWN CHECKED APPROVED		DATE 01/17/07 TITLE 1.25mm TERMINAL	
SIZE X	PART NO. 125CTB-R	REV. A	REF: S00124T SCALE: NTS SHEET 1 OF 1