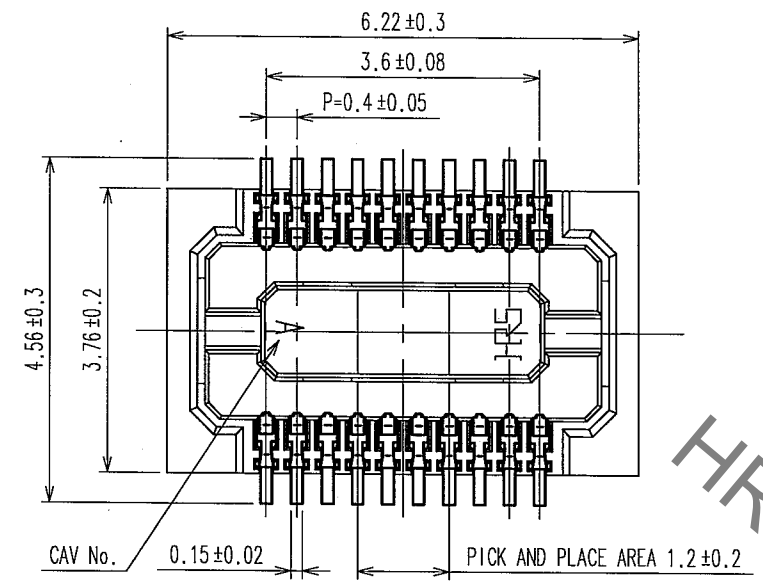
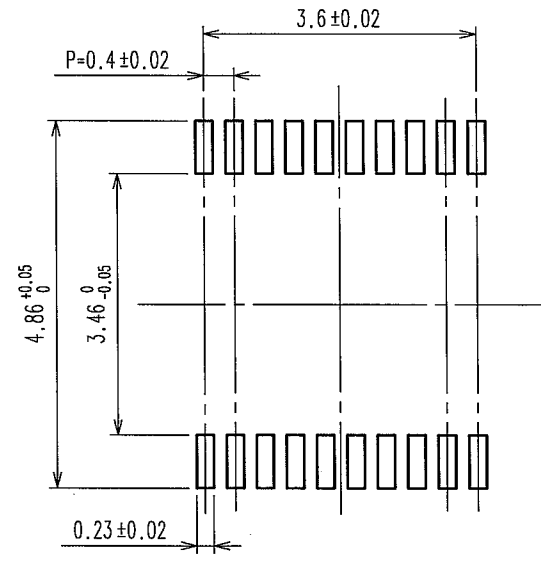


May.1.2023 Copyright 2023 HIROSE ELECTRIC CO., LTD. All Rights Reserved.
In case of consideration for using Automotive equipment / device which demand high reliability, kindly contact our sales window correspondents.

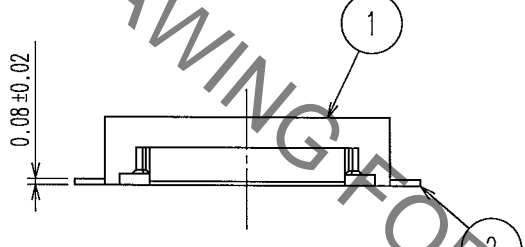
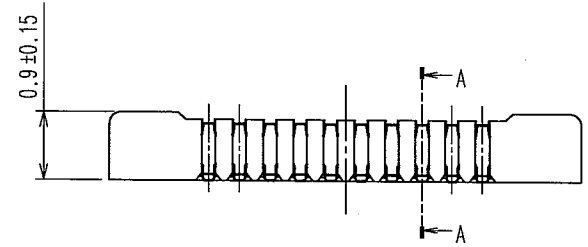
COUNT	DESCRIPTION OF REVISIONS	BY	CHKD	DATE	COUNT	DESCRIPTION OF REVISIONS	BY	CHKD	DATE
3	RE-H-06741	A.T	T.S	05.01.28					
1	DIS-H-001096	A.A	T.M	06.06.29					



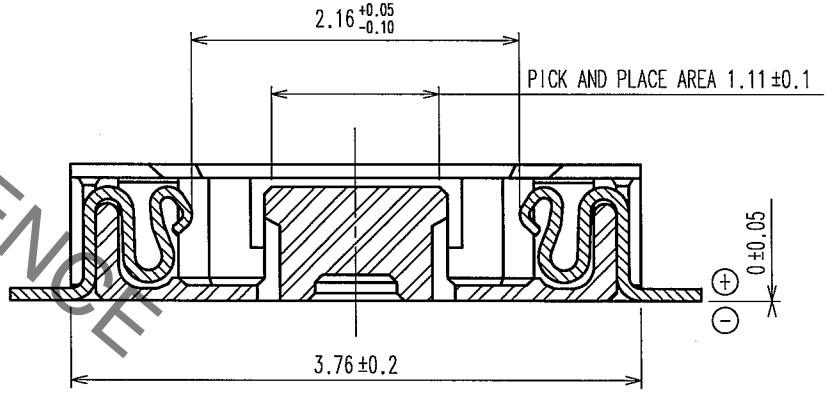
RECOMMENDED PATTERN



RECOMMENDED SOLDER PASTE THICKNESS: 120μm



A-A(20:1)



- NOTE 1. ALL LEADS CO-PLANARITY SHALL BE 0.1 MAX.
 2. PER REEL : 5000 CONNECTORS.
 3. AT THE BEGINNING OF THE REEL, 100 MM AT MIN SHALL BE EMPTY POCKETS.
 AT THE END OF THE REEL, 160 MM AT MIN SHALL BE EMPTY POCKETS.
 4. CONTACT PLATING SPECIFICATIONS.
 CONTACT AREA : GOLD 0.05μm MIN.
 SMT LEAD : GOLD 0.02μm MIN.
 UNDERPLATING : NICKEL 1μm MIN.
 (SURFACE : SEALING)

2	PHOSPHOR BRONZE	4	PS	PLASTIC REEL (BLACK)	
1	LCP	UL94V-0, BLACK	4	POLYESTER	CLEAR(CAVER TAPE)
			3	PS	CLEAR(EMBOSSD CARRIER TAPE)
NO.	MATERIAL	FINISH, REMARKS	NO.	MATERIAL	FINISH, REMARKS

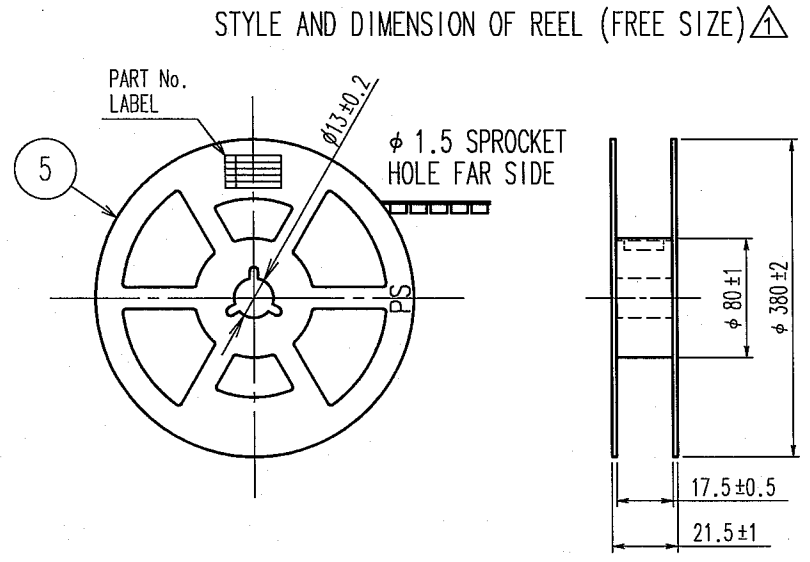
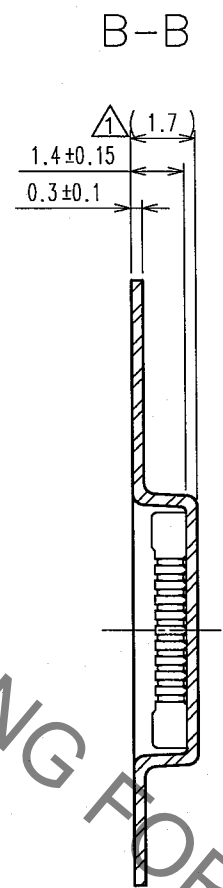
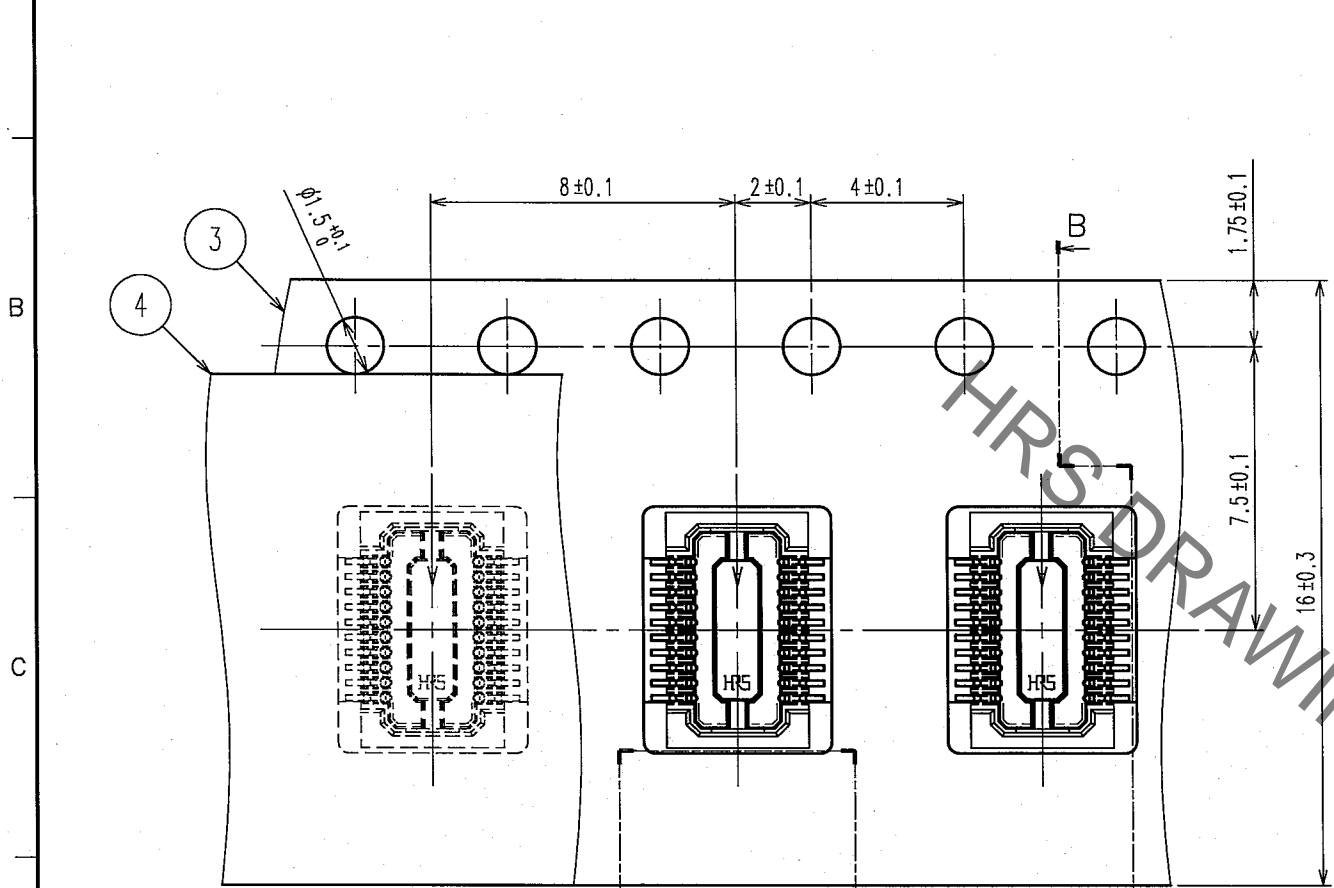
CODE NO. (OLD)	DRAWN	DESIGNED	CHECKED	APPROVED	RELEASED
	T.NISHI	K.MIDORIKAWA	S.TOMIOKA	S.TOMIOKA	
	'04.06.11	'04.06.11	'04.06.11	'04.06.11	

SCALE	DRAWING NO.	PART NO.
10 : 1	EDC3-303461-03	DF30FC-20DS-0.4V(81)
UNITS	HRS	CODE NO.
mm	HIROSE ELECTRIC CO., LTD	CL684-1109-8-81

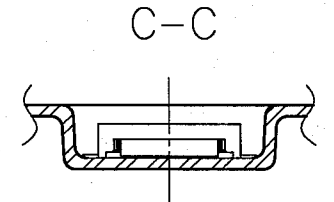
1/2

In case of consideration for using Automotive equipment / device which demand high reliability, kindly contact our sales window correspondents.
 May.1.2023 Copyright 2023 HIROSE ELECTRIC CO., LTD. All Rights Reserved.

5					6					7					8				
COUNT	DESCRIPTION OF REVISIONS				BY	CHKD	DATE	COUNT	DESCRIPTION OF REVISIONS				BY	CHKD	DATE				
△								△											
△								△											
△								△											



DIRECTION OF UNREELING



DETAIL OF PART NO. LABEL

—	SUPPLIER	
—	QUANTITY	
—	PART NO.	
—	CODE NO.	
—	DATE OF MANUFACTURED	
生産月日	年 月 日	
図番	CL684-1109-8-81	
品名	DF30FC-20DS-0.4V(81)	
納入数量	5000個	
納入者	ヒロセ電機(株)	

TO

CODE NO. (OLD)	DRAWN	DESIGNED	CHECKED	APPROVED	RELEASED
	T.NISHI	K.MIDORIKAWA	S.TOMIOKA	S.TOMIOKA	
	'04.06.11	'04.06.11	'04.06.11	'04.06.11	
SCALE	DRAWING NO.		PART NO.		
5 : 1	EDC3-303461-03		DF30FC-20DS-0.4V(81)		
UNITS	HRS HIROSE ELECTRIC CO., LTD		CODE NO.		2
mm			CL684-1109-8-81		