

NOTES:

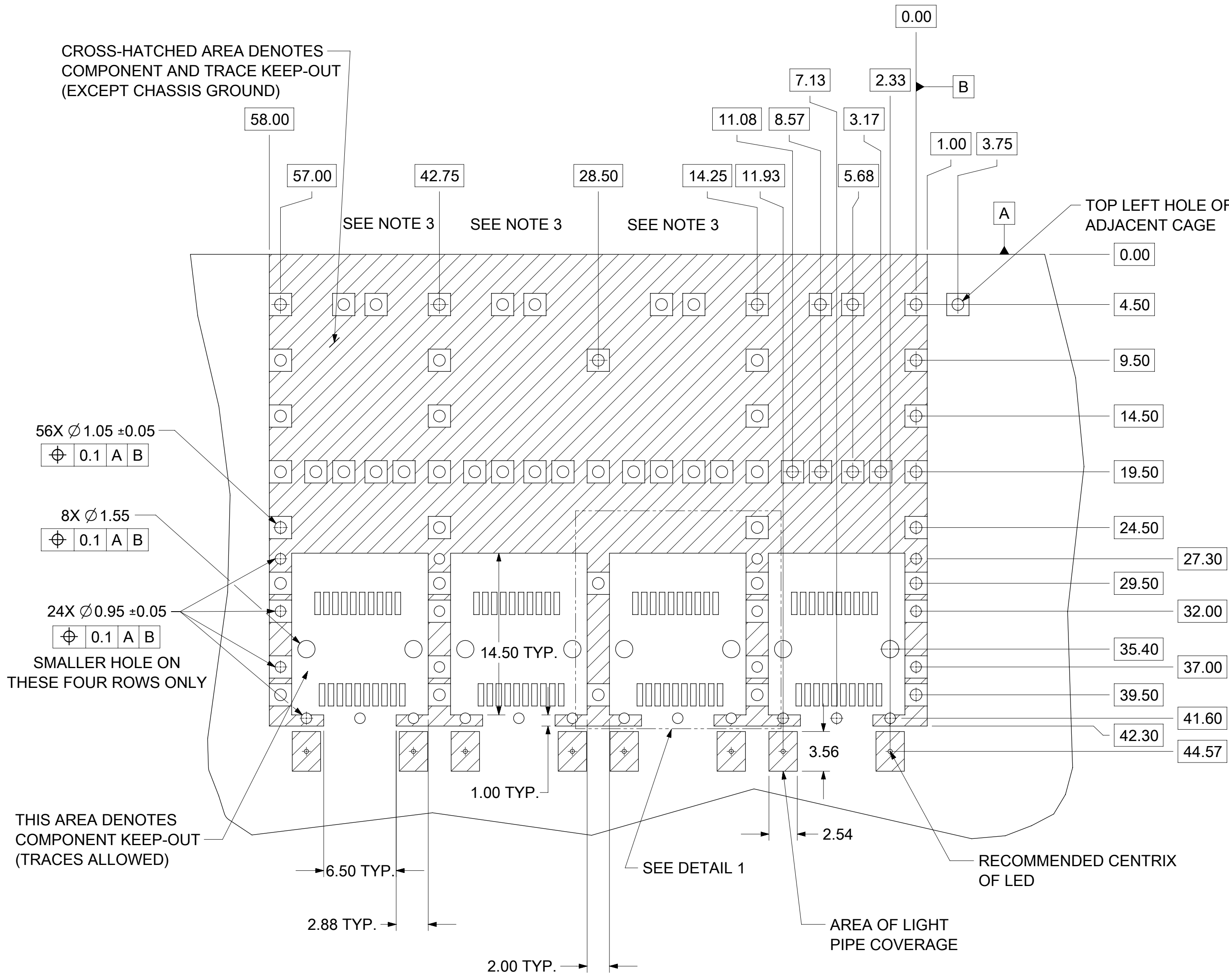
- THIS LIGHT PIPE ASSEMBLY TO BE USED WITH THE FOLLOWING 1X4 SFP CAGE ASSEMBLIES:
 747280411 - 1X4 SFP CAGE ASSEMBLY W/ PRESS FIT PINS, W/ 2.29 GASKET, F/ LIGHT PIPES (REFER TO DOCUMENT SD-74728-411)
 747280412 - 1X4 SFP CAGE ASSEMBLY W/ SOLDER POSTS, W/ 2.62 GASKET, F/ LIGHT PIPES (REFER TO DOCUMENT SD-74728-412)
 747280415 - 1X4 SFP CAGE ASSEMBLY W/ PRESS FIT PINS, W/ 2.62 GASKET, F/ LIGHT PIPES (REFER TO DOCUMENT SD-74728-415)
- IT IS RECOMMENDED THAT THE CAGE ASSEMBLY BE PRESSED INTO OR SOLDERED TO THE PCB PRIOR TO ASSEMBLING THE LIGHT PIPE ASSEMBLY.
- LED'S TO HAVE A MAXIMUM HEIGHT OF 1.4mm AND A MINIMUM HEIGHT OF 0.7mm
- RECOMMENDED LED'S INCLUDE THE FOLLOWING MANUFACTURES:
 DIALIGHT: 597-77x1-5xx SERIES
 CHICAGO MINIATURE: 7016 SERIES
 KINGBRIGHT: APBL3025 SERIES (BICOLOR) APL3015 SERIES (SINGLE COLOR)
- NO RoHS EXEMPTION

SEE TABLE BELOW FOR DATE CODE INFORMATION.

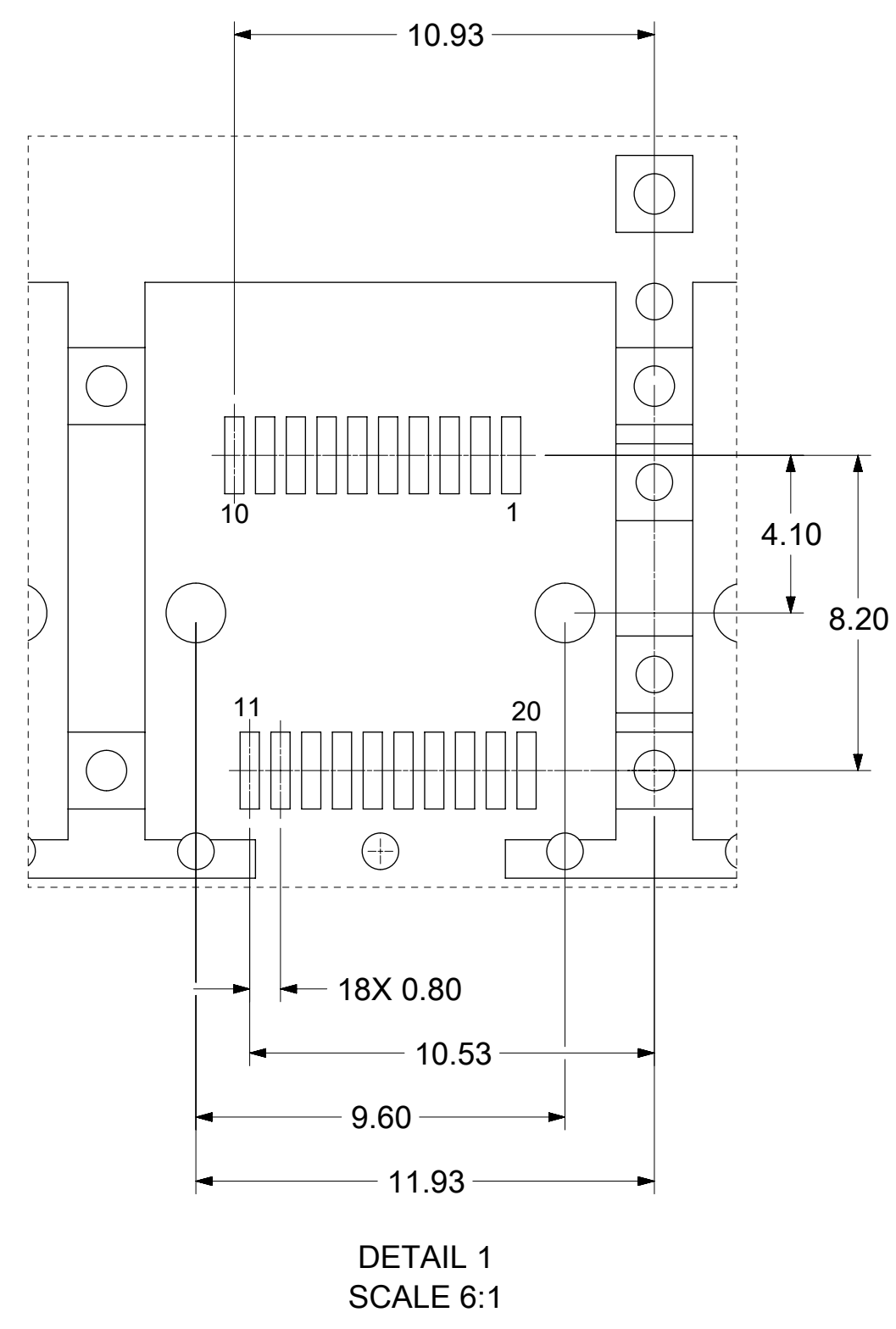
WEEK / YEAR DATE CODE TABLE	
WK	WEEK OF THE YEAR 01 THRU 52 OR 53 (EXAMPLE : 01 = FIRST WEEK OF YEAR, 52 OR 53 = LAST WEEK OF YEAR)
YR	22, 23, 24 ETC.... (EXAMPLE: YEAR 2022=22)

FUNCTIONAL SYMBOLS	THIS DRAWING CONTAINS INFORMATION THAT IS PROPRIETARY TO MOLEX ELECTRONIC TECHNOLOGIES, LLC AND SHOULD NOT BE USED WITHOUT WRITTEN PERMISSION		CURRENT REV DESC: SEE REVISION TABLE					
	DIMENSION UNITS	SCALE						
$\nabla_A = 0$	mm	3:1			1X4 SFP LIGHT PIPE ASSEMBLY, BACK-TOP PRODUCT CUSTOMER DRAWING			
$\nabla_E = 0$	GENERAL TOLERANCES (UNLESS SPECIFIED)		EC NO: 713044					
$\nabla_P = 0$	ANGULAR TOL ± 1.0°		DRWN: AMRUTH 2022/06/30					
DIVISIONAL SYMBOLS	4 PLACES ±		CHK'D: DKUMARG 2022/06/30					
	3 PLACES ±		APPR: SCHIEN 2022/07/05					
	2 PLACES ± 0.13		INITIAL REVISION:					
	1 PLACE ± 0.25		DRWN: AAPPARAOTHAK 2018/12/04					
0 PLACES ±		APPR: RCHEN08 2018/12/12		DOCUMENT NUMBER 747280001				
DRAFT WHERE APPLICABLE MUST REMAIN WITHIN DIMENSIONS	THIRD ANGLE PROJECTION	DRAWING	SERIES	MATERIAL NUMBER	CUSTOMER	DOC TYPE	DOC PART	REVISION
		C-SIZE	74728	747280001	GENERAL MARKET	PSD	ASY	E1
								SHEET NUMBER 1 OF 5

PCB LAYOUT FOR BELLY TO BELLY MOUNTING



HOST CONNECTOR DETAIL



- NOTES:**
- PADS AND VIAS GO TO CHASSIS GROUND, (64 PLACES). RECOMMENDED PADS TO BE 2 mm SQUARE.
 - PLATING OPTIONAL FOR THROUGH HOLES, (16 PLACES).
 - RECOMMENDED PLATING INCLUDES HASL, IMMERSION (GOLD OR SILVER), AND OSP.
 - HOLE PATTERN REPEATS FOR EACH PORT, SPACING BETWEEN PORTS IS 14.25 mm.

THIS DRAWING CONTAINS INFORMATION THAT IS PROPRIETARY TO MOLEX ELECTRONIC TECHNOLOGIES, LLC AND SHOULD NOT BE USED WITHOUT WRITTEN PERMISSION													
FUNCTIONAL SYMBOLS	$\varnothing = 0$	$\varnothing = 0$	$\varnothing = 0$	DIMENSION UNITS	SCALE	CURRENT REV DESC: SEE REVISION TABLE				molex			
				mm	3.5:1					1X4 SFP LIGHT PIPE ASSEMBLY, BACK-TOP			
				GENERAL TOLERANCES (UNLESS SPECIFIED)		EC NO: 713044							
				ANGULAR TOL $\pm 1.0^\circ$		DRWN: AMRUTH 2022/06/30							
DIVISIONAL SYMBOLS				4 PLACES	±	CHK'D: DKUMARG 2022/06/30							
				3 PLACES	±	APPR: SCHIEN 2022/07/05				PRODUCT CUSTOMER DRAWING			
				2 PLACES	± 0.13	INITIAL REVISION:				DOCUMENT NUMBER			
				1 PLACE	± 0.25	DRWN: AAPPARAOETHAK 2018/12/04				747280001			
				0 PLACES	±	APPR: RCHEN08 2018/12/12				PSD ASY E1			
DRAFT WHERE APPLICABLE MUST REMAIN WITHIN DIMENSIONS		THIRD ANGLE PROJECTION		DRAWING		SERIES		MATERIAL NUMBER		CUSTOMER		SHEET NUMBER	
				C-SIZE		74728		747280001		GENERAL MARKET		2 OF 5	

PCB LAYOUT FOR SINGLE SIDE MOUNTING

CROSS-HATCHED AREA DENOTES COMPONENT AND TRACE KEEP-OUT (EXCEPT CHASSIS GROUND)

30X $\varnothing 1.05 \pm 0.05$
 $\varnothing 0.1$ A B

8X $\varnothing 1.55$
 $\varnothing 0.1$ A B

16X $\varnothing 0.95 \pm 0.05$
 $\varnothing 0.1$ A B
 SMALLER HOLE ON THESE FOUR ROWS ONLY

THIS AREA DENOTES COMPONENT KEEP-OUT (TRACES ALLOWED)

SEE NOTE 3

SEE NOTE 3

SEE NOTE 3

14.50 TYP.

1.00 TYP.

6.50 TYP.

2.88 TYP.

2.54

2.00 TYP.

3.56

AREA OF LIGHT PIPE COVERAGE

RECOMMENDED CENTRIX OF LED

NOTES:

- PADS AND VIAS GO TO CHASSIS GROUND, (34 PLACES). RECOMMENDED PADS TO BE 2 mm SQUARE.
- PLATING OPTIONAL FOR THROUGH HOLES, (12 PLACES).
- RECOMMENDED PLATING INCLUDES HASL, IMMERSION (GOLD OR SILVER), AND OSP.
- HOLE PATTERN REPEATS FOR EACH PORT, SPACING BETWEEN PORTS IS 14.25 mm.

FUNCTIONAL SYMBOLS		THIS DRAWING CONTAINS INFORMATION THAT IS PROPRIETARY TO MOLEX ELECTRONIC TECHNOLOGIES, LLC AND SHOULD NOT BE USED WITHOUT WRITTEN PERMISSION		CURRENT REV DESC: SEE REVISION TABLE	
$\overline{A} = 0$	DIMENSION UNITS	SCALE	GENERAL TOLERANCES (UNLESS SPECIFIED)		
$\overline{E} = 0$	mm	4:1	ANGULAR TOL $\pm 1.0^\circ$		
$\overline{P} = 0$	DIVISIONAL SYMBOLS		EC NO: 713044		
4 PLACES \pm		3 PLACES \pm		2022/06/30	
2 PLACES ± 0.13		1 PLACE ± 0.25		2022/06/30	
0 PLACES \pm		DRAFT WHERE APPLICABLE MUST REMAIN WITHIN DIMENSIONS		2022/07/05	
THIRD ANGLE PROJECTION		DRAWING		SERIES	
		C-SIZE		74728	
DOCUMENT NUMBER		CUSTOMER		SHEET NUMBER	
747280001		GENERAL MARKET		3 OF 5	

molex

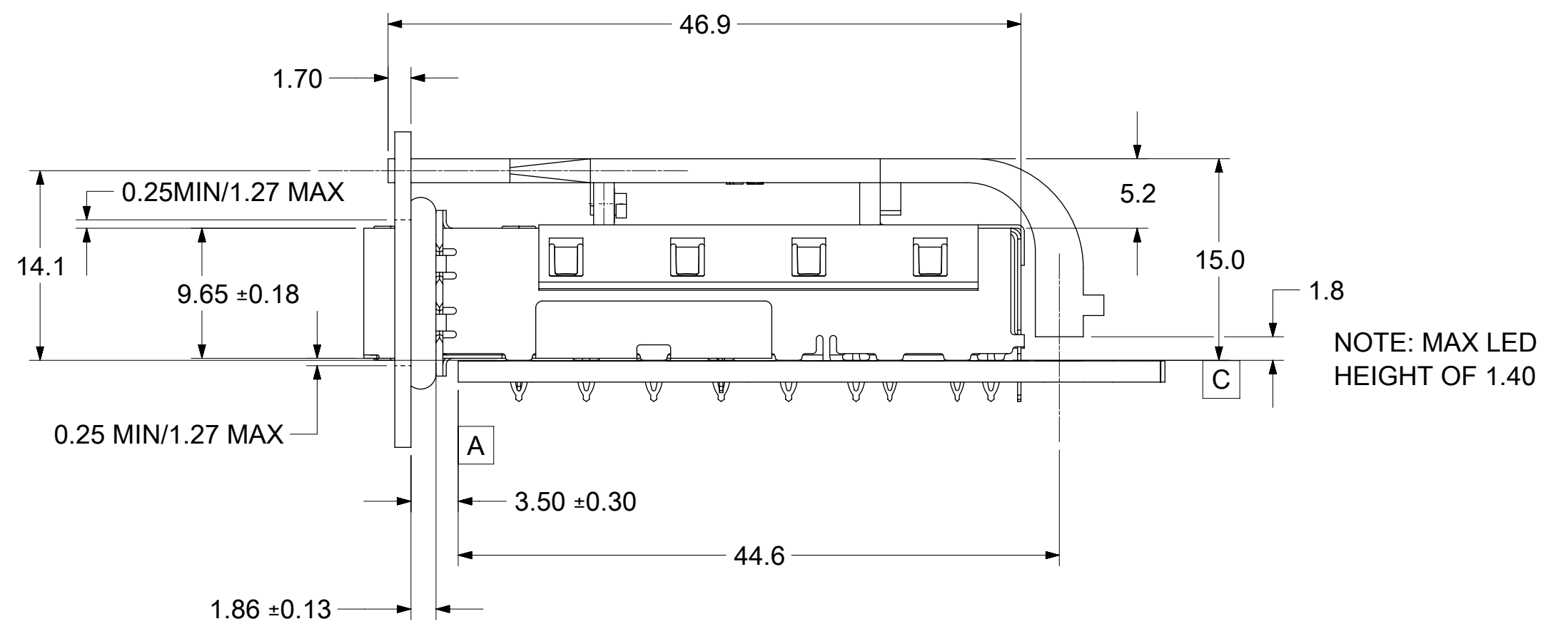
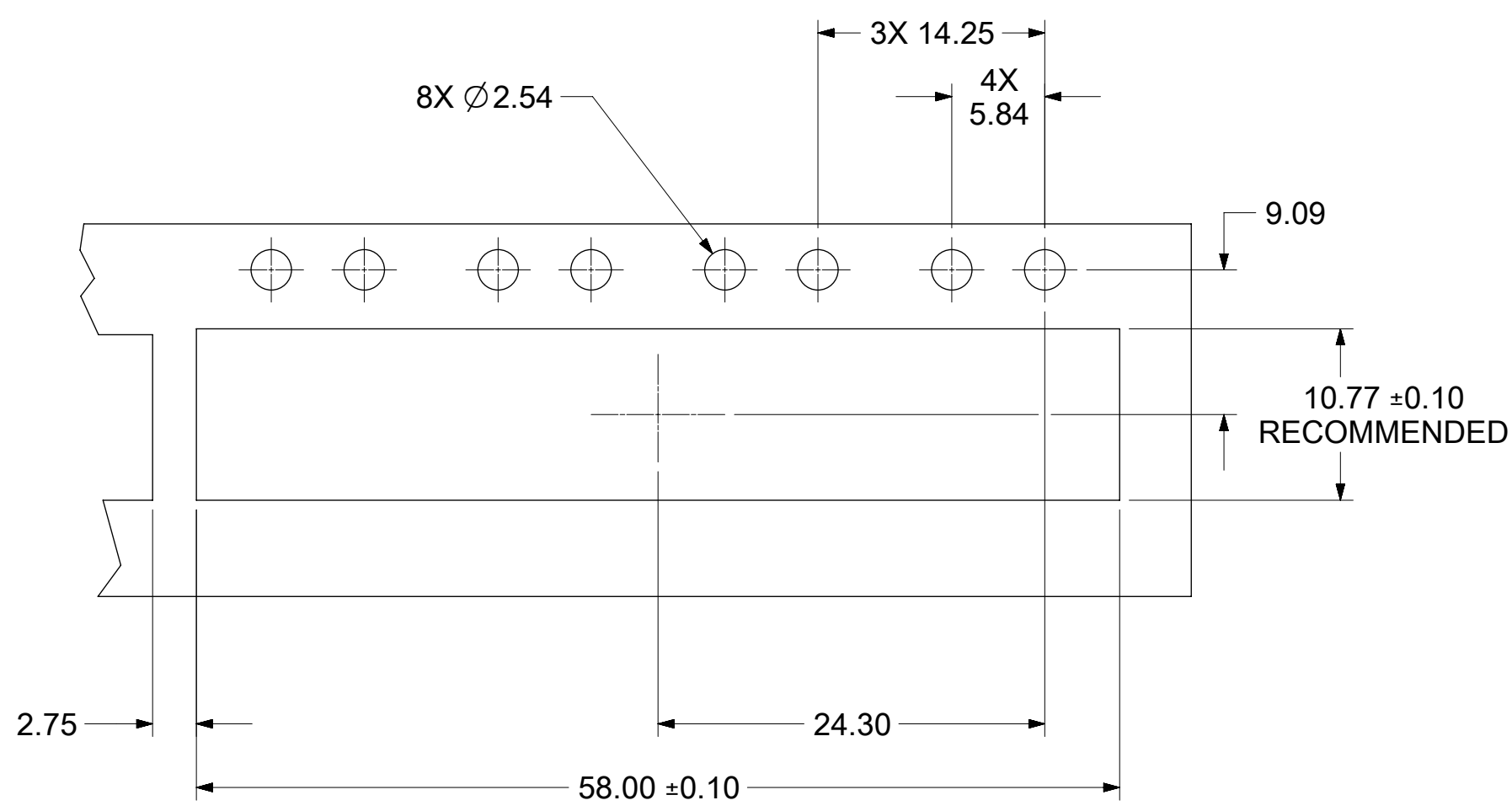
1X4 SFP LIGHT PIPE ASSEMBLY, BACK-TOP

PRODUCT CUSTOMER DRAWING

747280001

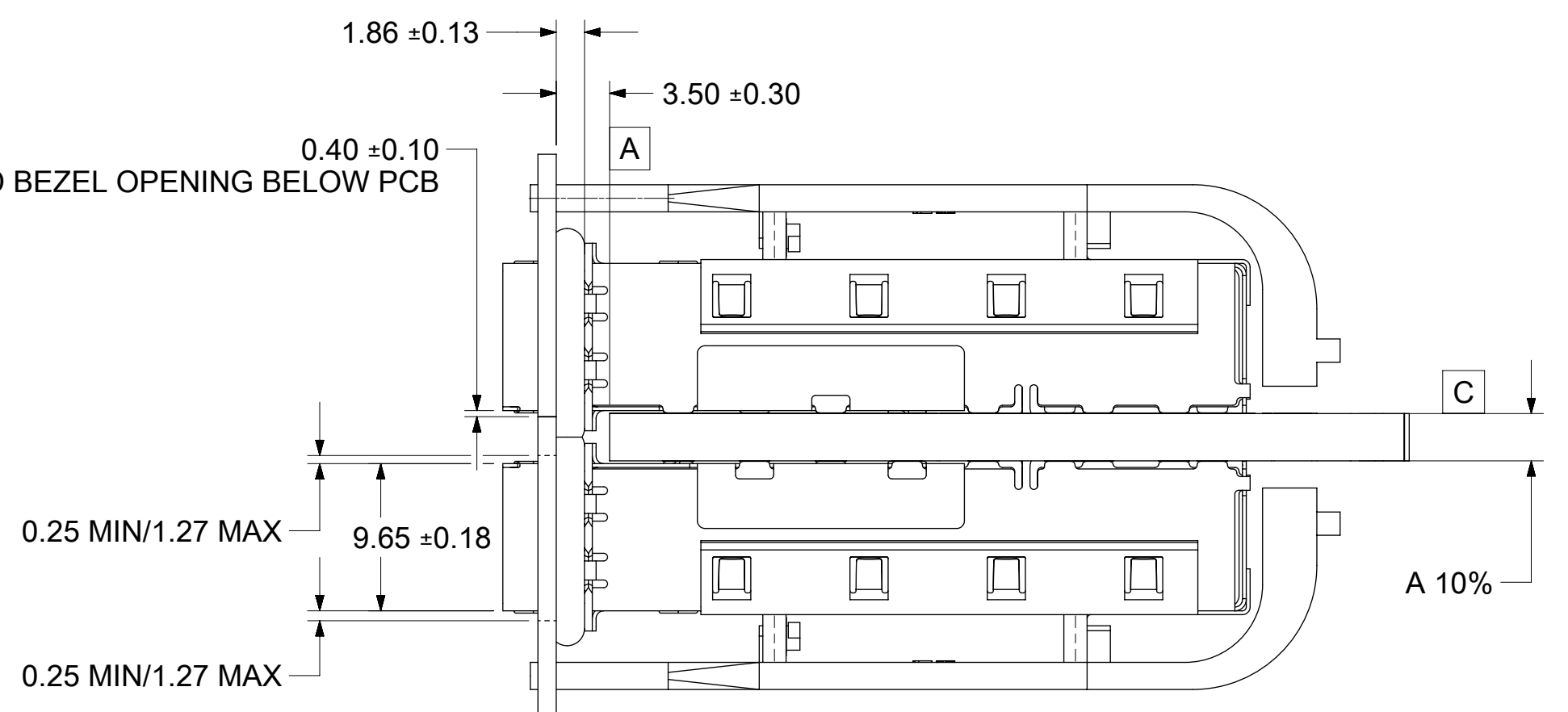
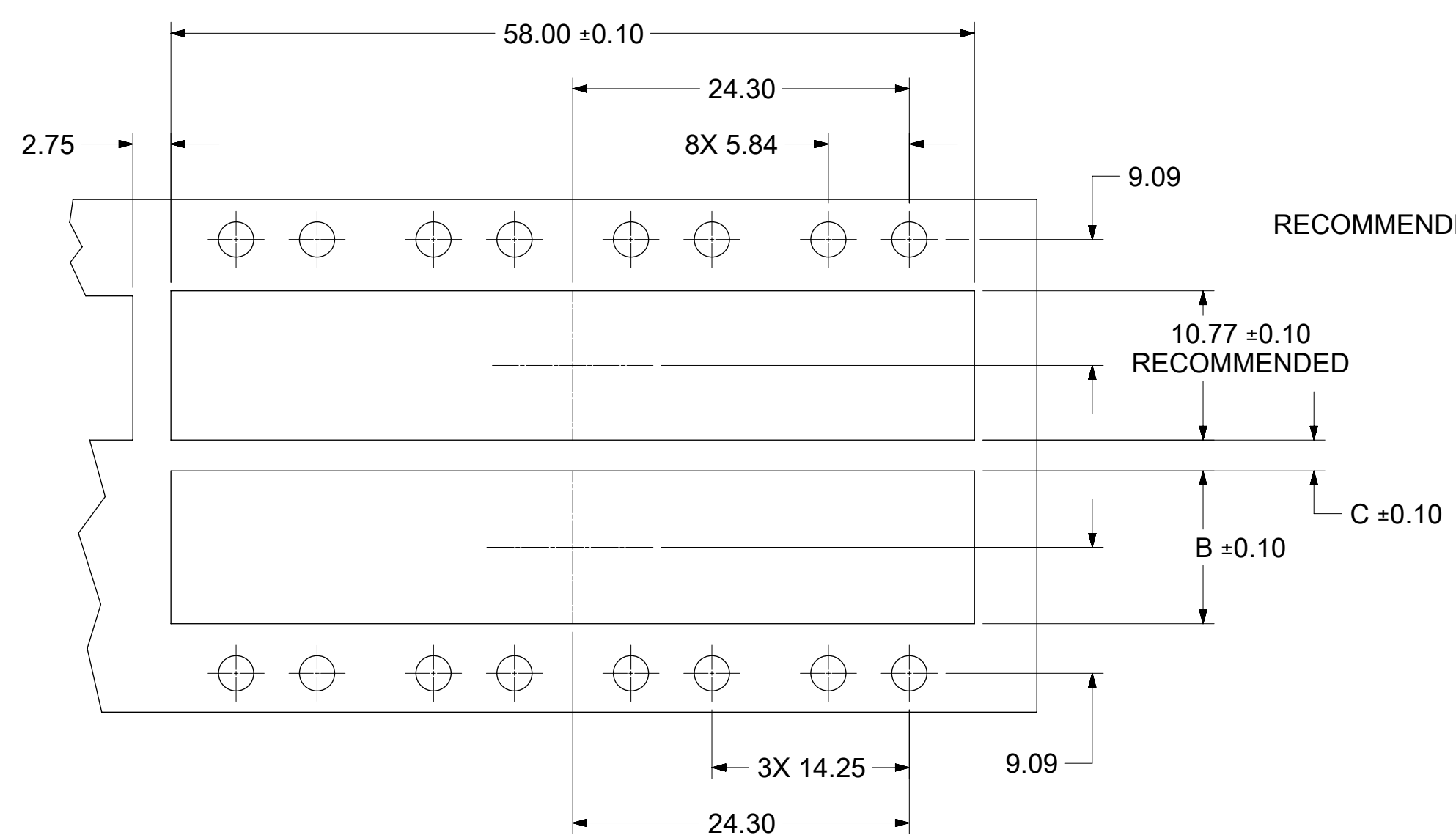
PSD ASY E1

BEZEL AND BOARD POSITION DIMENSIONS FOR SINGLE SIDE MOUNTING



NOTE: MAX LED HEIGHT OF 1.40

BEZEL AND BOARD POSITION DIMENSIONS FOR BELLY TO BELLY MOUNTING



NOTE: FOR A GIVEN BOARD THICKNESS (A), DIMENSIONS (B) AND (C) ARE DIRECTLY AFFECTED.

USE RECOMMENDED DIMENSIONS AND TOLERANCES TO AID IN DEVELOPING BEZEL OPENING.

FOR EXAMPLE USING A BOARD THICKNESS OF 3.18 mm THE RECOMMENDED VALUES WOULD BE:

- A= 3.18 ±10%
- B= 11.03 ±0.1
- C= 2.23 ±0.1

FUNCTIONAL SYMBOLS	THIS DRAWING CONTAINS INFORMATION THAT IS PROPRIETARY TO MOLEX ELECTRONIC TECHNOLOGIES, LLC AND SHOULD NOT BE USED WITHOUT WRITTEN PERMISSION		CURRENT REV DESC: SEE REVISION TABLE		molex			
	DIMENSION UNITS	SCALE						
	$\frac{F}{A} = 0$	mm	2.5:1					
GENERAL TOLERANCES (UNLESS SPECIFIED)	ANGULAR TOL ± 1.0°		EC NO: 713044		1X4 SFP LIGHT PIPE ASSEMBLY, BACK-TOP			
	4 PLACES ±		DRWN: AMRUTH	2022/06/30				
	3 PLACES ±		CHK'D: DKUMARG	2022/06/30				
DIVISIONAL SYMBOLS	2 PLACES ± 0.13		APPR: SCHIEN	2022/07/05	PRODUCT CUSTOMER DRAWING			
	1 PLACE ± 0.25		INITIAL REVISION:					
	0 PLACES ±		DRWN: AAPPARAOTHAK	2018/12/04				
DRAFT WHERE APPLICABLE MUST REMAIN WITHIN DIMENSIONS		THIRD ANGLE PROJECTION	DRAWING	SERIES	DOCUMENT NUMBER	DOC TYPE	DOC PART	REVISION
			C-SIZE	74728	747280001	PSD	ASY	E1
					MATERIAL NUMBER	CUSTOMER		SHEET NUMBER
					747280001	GENERAL MARKET		4 OF 5

DATE	REV	DESCRIPTION
2004/07/08	A	1. INITIAL RELEASE.
2004/12/02	B	1. UPDATED VIEWS.
2005/06/03	C	1. CORRECTED P/N FOR DIALIGHT LED
2005/06/10	D	1. ON SHEET 1, UPDATED VIEWS TO SHOW CLEARANCE HOLES ADDED TO THE LIGHT PIPE COVER.
2018/06/12	E	REMASTERED FROM SD-74728-001 REV_D TO 747280001 PSD ASY REV_E IN NX/ECTR. SHEET 1 : D2: SIDE VIEW ADDED. C3: DATE CODE TABLE ADDED.
2022/07/05	E1	UPDATED WEEK/YEAR CODE TABLE & CHANGED TO GENERAL MARKET IN ECTR DATA.

FUNCTIONAL SYMBOLS		THIS DRAWING CONTAINS INFORMATION THAT IS PROPRIETARY TO MOLEX ELECTRONIC TECHNOLOGIES, LLC AND SHOULD NOT BE USED WITHOUT WRITTEN PERMISSION					
	= 0	DIMENSION UNITS	SCALE	CURRENT REV DESC: SEE REVISION TABLE			
	= 0	mm	1:1	EC NO: 713044 DRWN: AMRUTH 2022/06/30 CHK'D: DKUMARG 2022/06/30 APPR: SCHIEN 2022/07/05			
GENERAL TOLERANCES (UNLESS SPECIFIED)		ANGULAR TOL ± 1.0°				1X4 SFP LIGHT PIPE ASSEMBLY, BACK-TOP	
	= 0	4 PLACES ±				PRODUCT CUSTOMER DRAWING	
DIVISIONAL SYMBOLS		3 PLACES ±		INITIAL REVISION:	DOCUMENT NUMBER		
		2 PLACES ± 0.13		DRWN: AAPPARAOTHAK 2018/12/04	747280001		
		1 PLACE ± 0.25		APPR: RCHEN08 2018/12/12	PSD ASY E1		
		0 PLACES ±					
DRAFT WHERE APPLICABLE MUST REMAIN WITHIN DIMENSIONS		THIRD ANGLE PROJECTION	DRAWING	SERIES	MATERIAL NUMBER		
			C-SIZE	74728	747280001		
					CUSTOMER		
					GENERAL MARKET		
					SHEET NUMBER		
					5 OF 5		