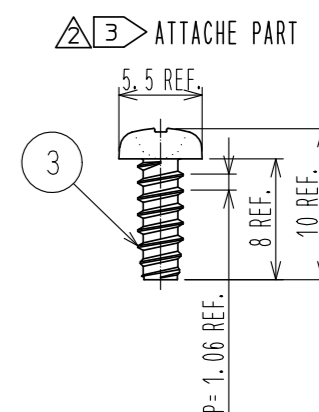
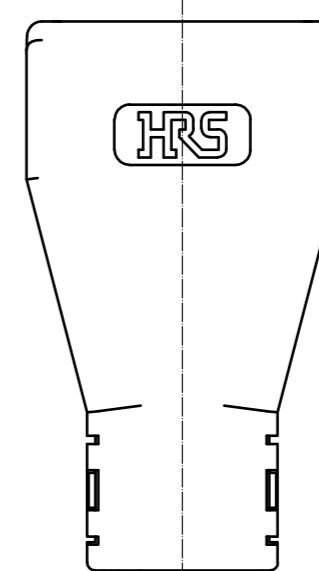
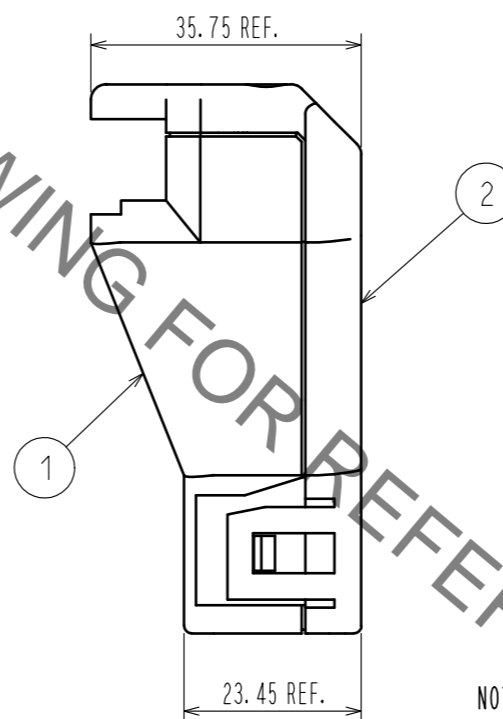
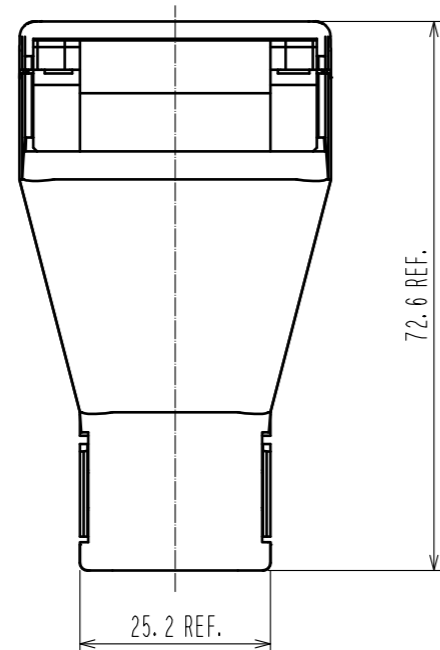
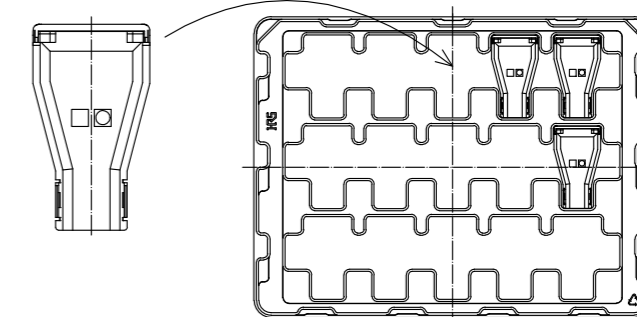
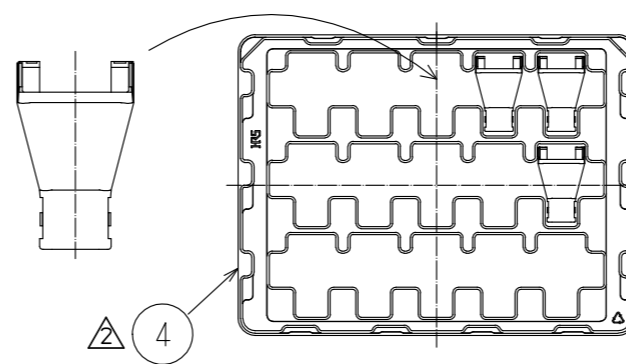
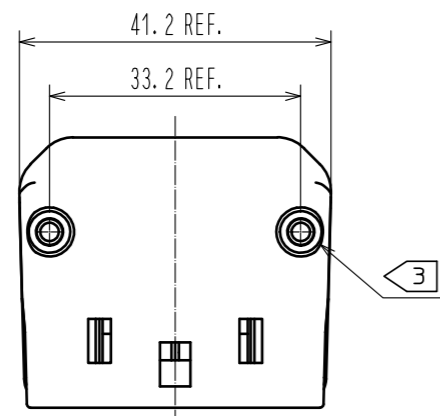


May.1.2023 Copyright 2023 HIROSE ELECTRIC CO., LTD. All Rights Reserved.  
In case of consideration for using Automotive equipment / device which demand high reliability, kindly contact our sales window correspondents.



HRS DRAWING FOR REFERENCE

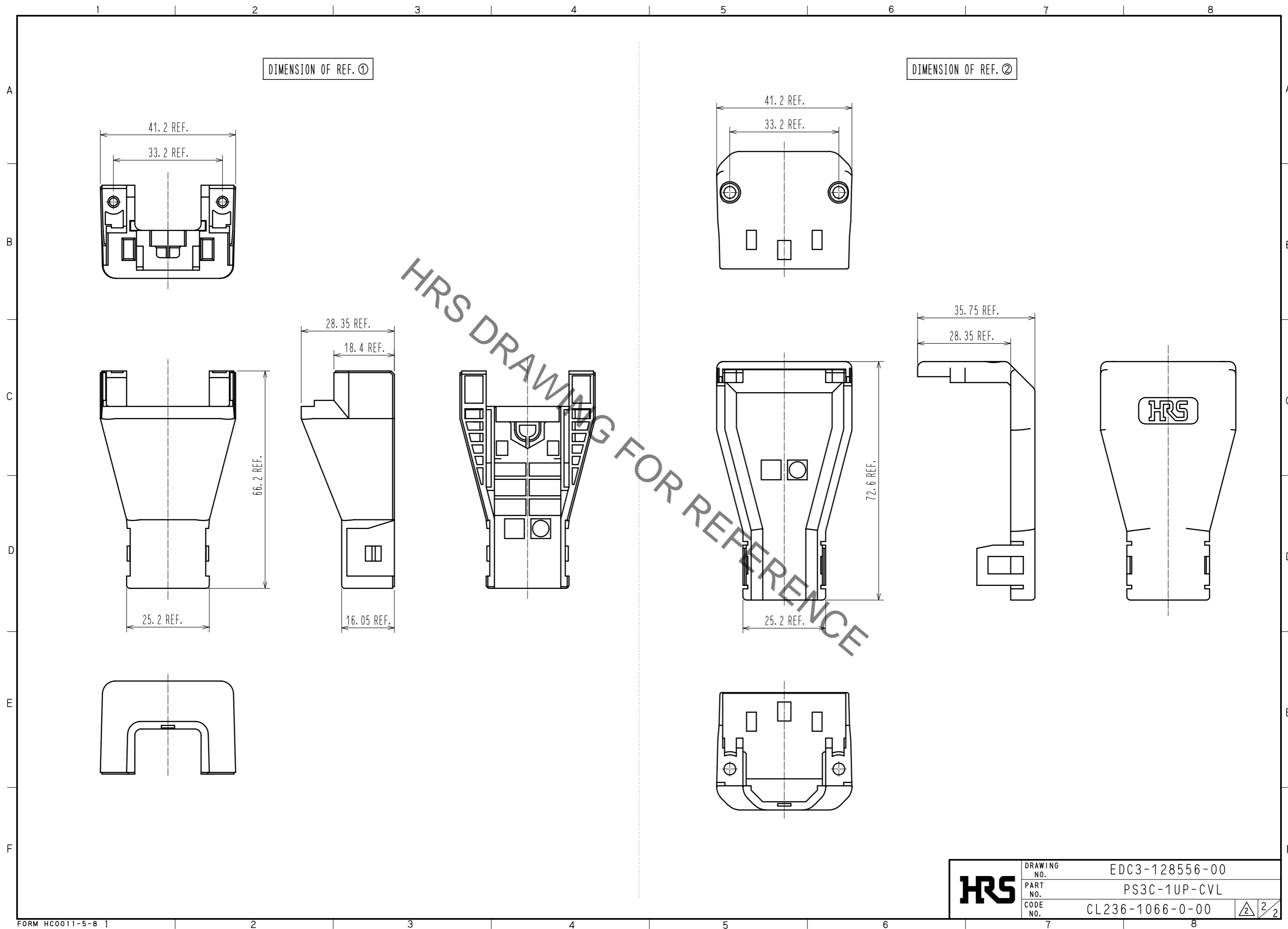
NOTE 1. PLEASE USE THIS PRODUCT FOR PS3C-A-1UP(CCL236-1064-5-00) OR PS3C-B-1UP(CCL236-1065-8-00).

△2 THE SALES UNIT IS ONE PIECE AND ONE BOX IS 30 PIECES.  
PLEASE YOUR ORDER IN UNIT OF 30 PIECES.  
PLEASE REFER ETAP-E3129.

△3 PLEASE USE THE SELF-TAPPING SCREW FOR FIXING REF. ① AND REF. ②.  
IN CASE OF LOSING SELF-TAPPING SCREWS, PLEASE ORDER THEM IN PS3C-1UP-TS(CCL236-1068-6).  
-RECOMMENDED SELF-TAPPING SCREW: JIS B 1122 3×8 STYLE 2  
-RECOMMENDED TIGHTENING TORQUE: 0.53 TO 0.66 N · m

2	PBT	BLACK	UL94V-0	△4	PP			
1	PBT	BLACK	UL94V-0	△3	STEEL	Ni PLATING		
NO.	MATERIAL	FINISH	REMARKS	NO.	MATERIAL	FINISH	REMARKS	
UNITS	mm	SCALE	1 : 1	COUNT	7	DESCRIPTION OF REVISIONS	DESIGNED	CHECKED
						DIS-E-0000029	WR. YAMADA	NM. NISHIMATSU
								DATE
								15.02.19
APPROVED : NM. NISHIMATSU		14.07.23		DRAWING NO.		EDC3-128556-00		
CHECKED : NM. NISHIMATSU		14.07.23		PART NO.		PS3C-1UP-CVL		
DESIGNED : WR. YAMADA		14.07.22		CODE NO.		CL236-1066-0-00		
DRAWN : WR. YAMADA		14.07.22						

May.1.2023 Copyright 2023 HIROSE ELECTRIC CO., LTD. All Rights Reserved.  
In case of consideration for using Automotive equipment / device which demand high reliability, kindly contact our sales window correspondents.



DIMENSION OF REF. ①

DIMENSION OF REF. ②

HRS DRAWING FOR REFERENCE

<b>HRS</b>	DRAWING NO.	EDC3-128556-00
	PART NO.	PS3C-1UP-CVL
	CODE NO.	CL236-1066-0-00
		2/2