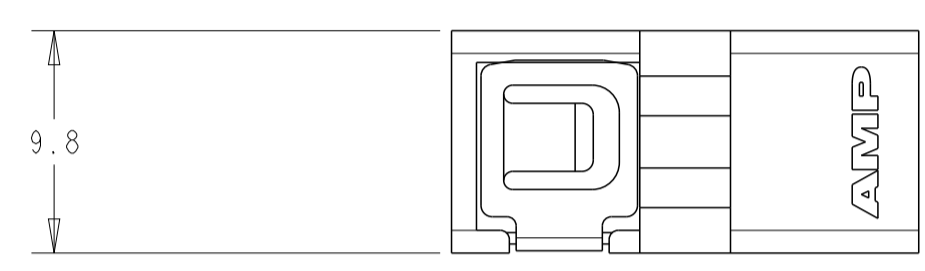
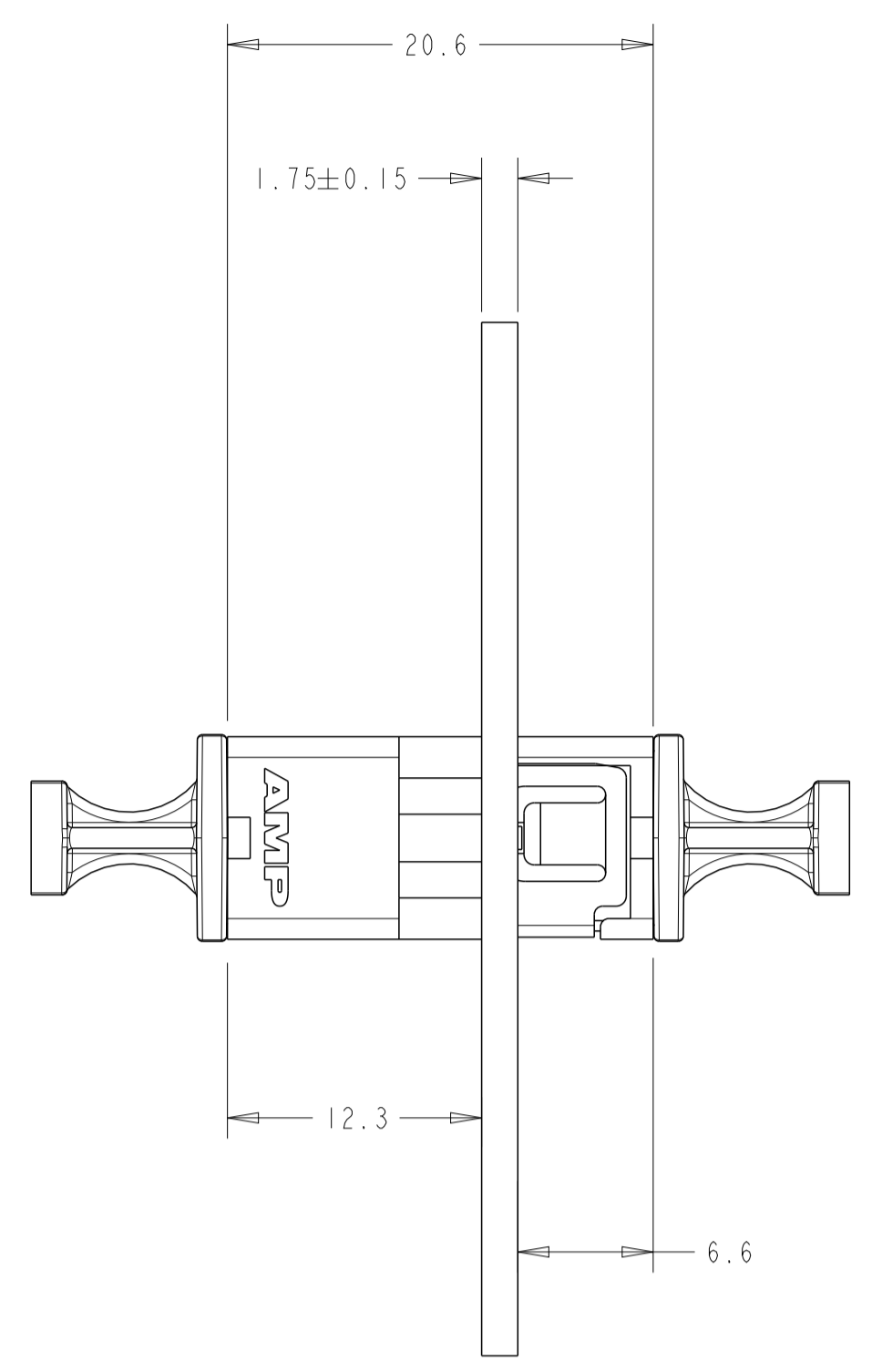
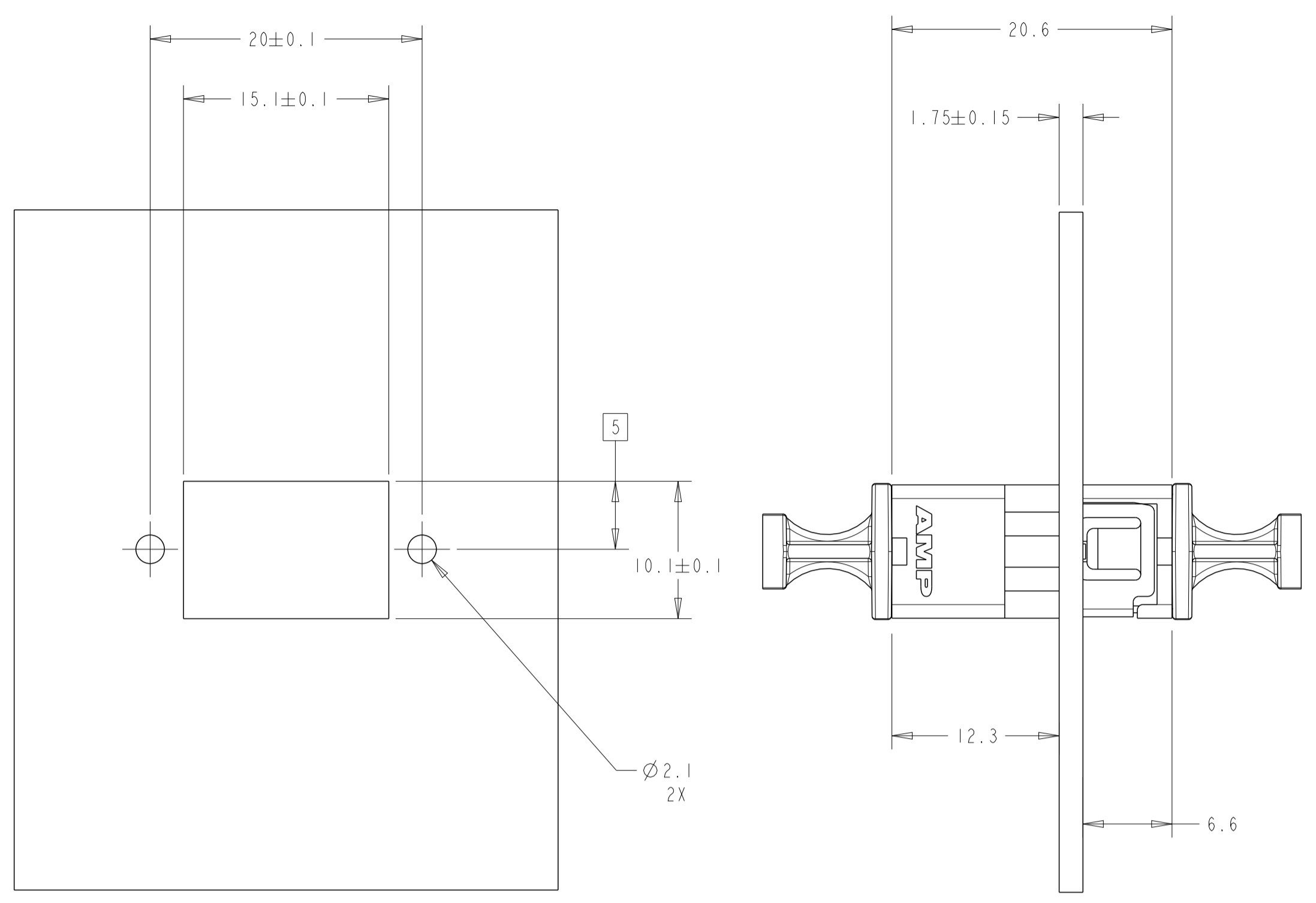
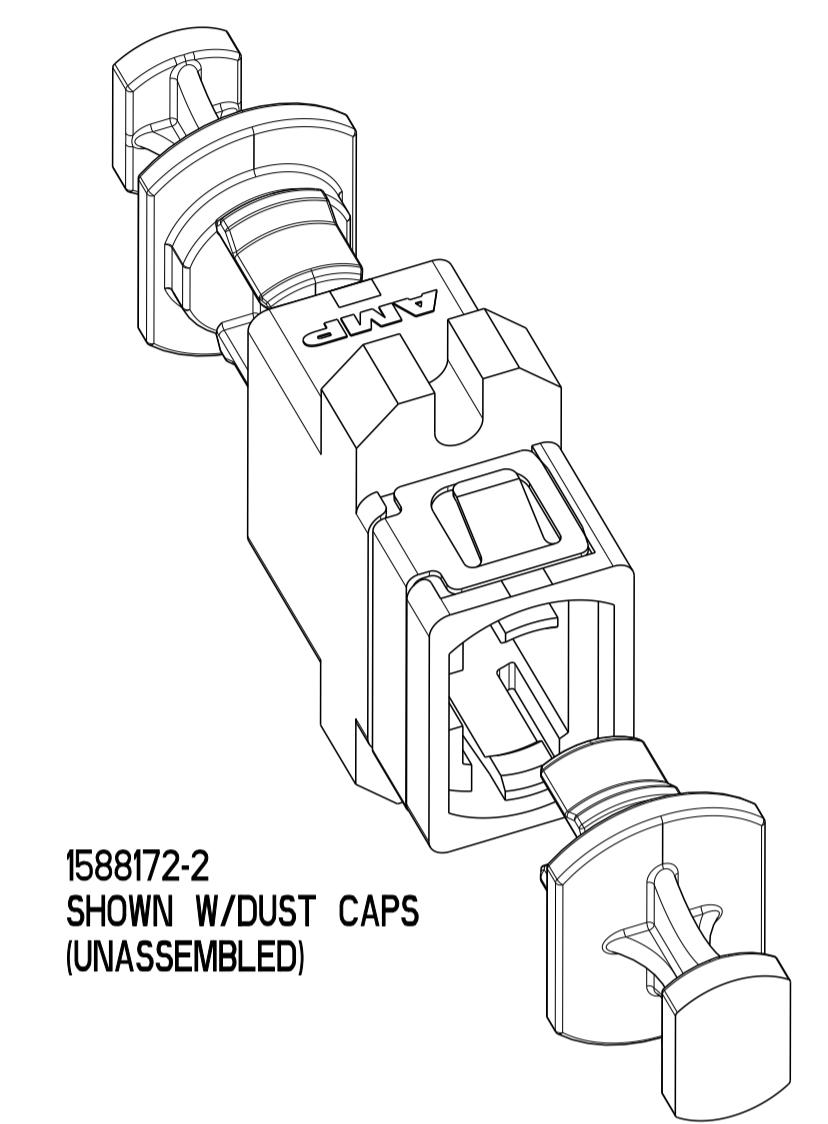
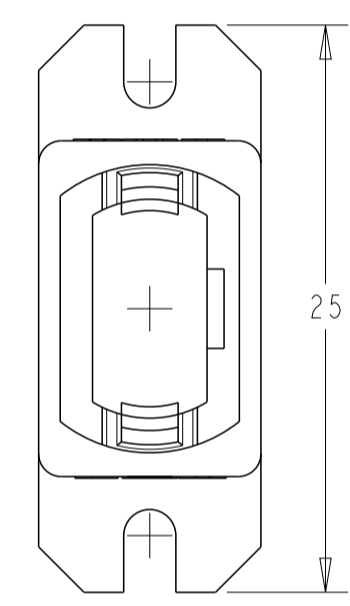
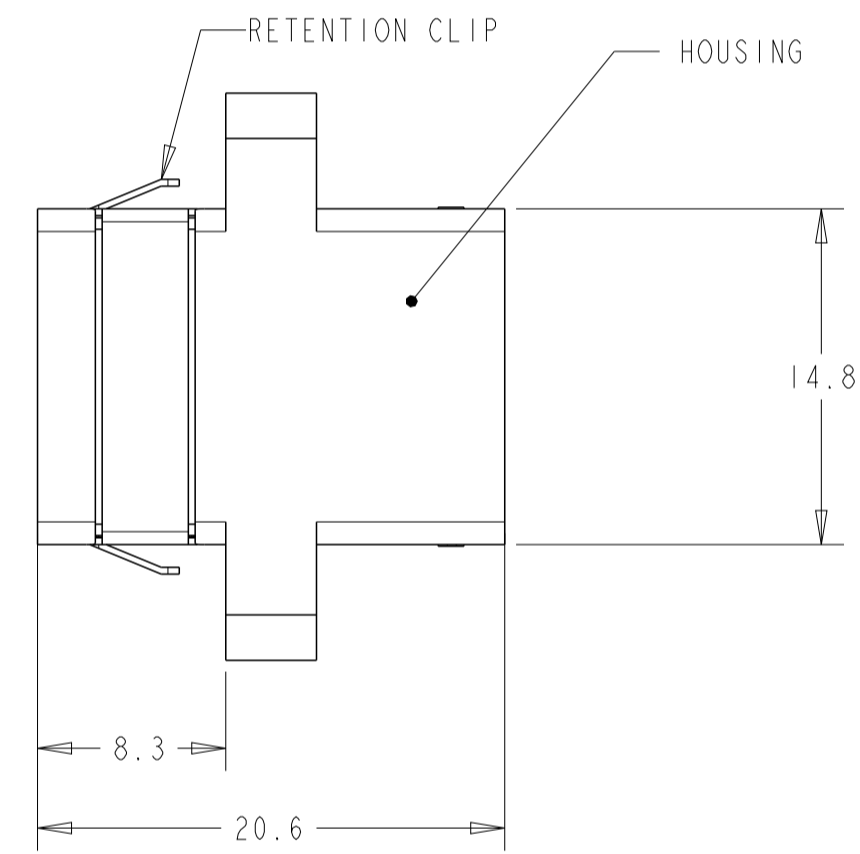
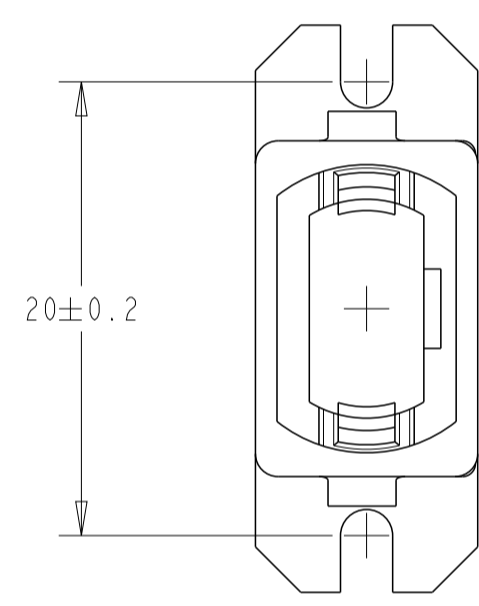


LOC	DIST	REVISIONS					
		P	LTN	DESCRIPTION	DATE	DWN	APVD
CE	16	F		REV: ECO-13-008210	20MAY2013	GG	TE
		G		REV: ECO-13-008637	22MAY2013	GG	TE
		J		ECR-19-019013	11MAR2020	JL	RS

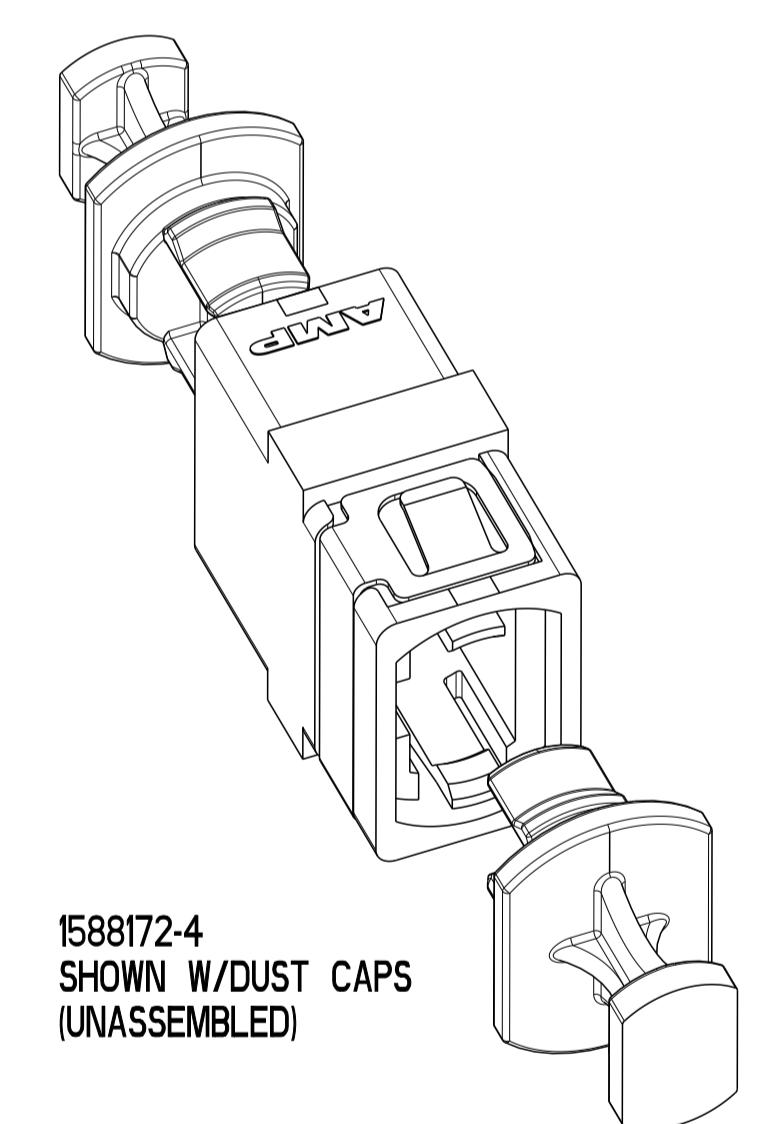
- NOTES:
1. MOUNTS IN 1.75mm BULKHEAD.
  2. (OPTIONAL) USE #2 SCREWS AND NUTS (NOT PROVIDED).
  3. MEETS THE ADAPTER INTERFACE DIMENSIONS AS SPECIFIED IN IEC 61754-7.
  4. COLOR: BLACK
- △ BULK PACK 50 PCS.



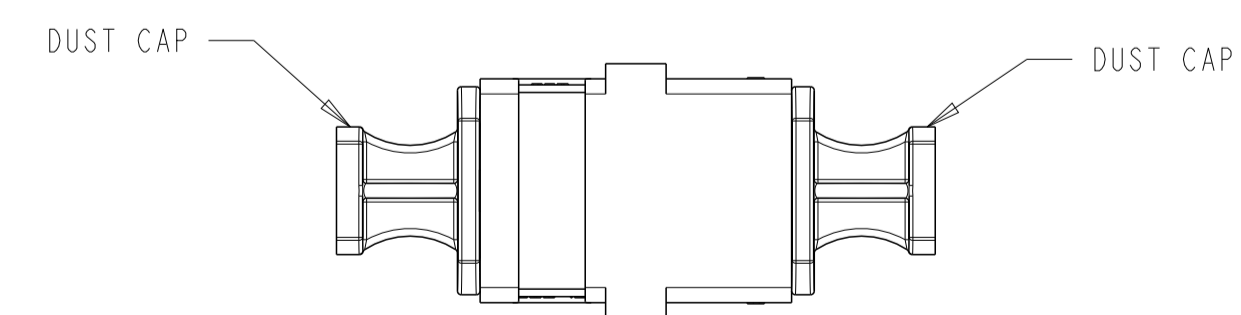
RECOMMENDED PANEL CUT-OUT



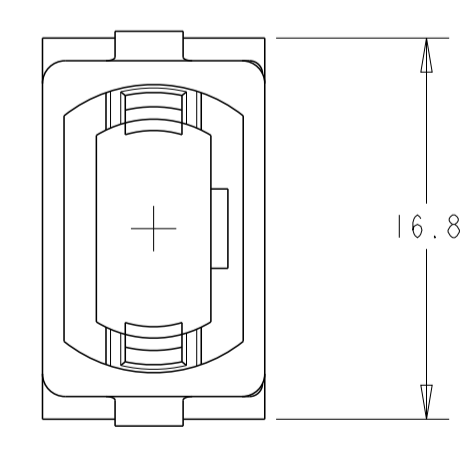
1588172-2  
SHOWN W/DUST CAPS  
(UNASSEMBLED)



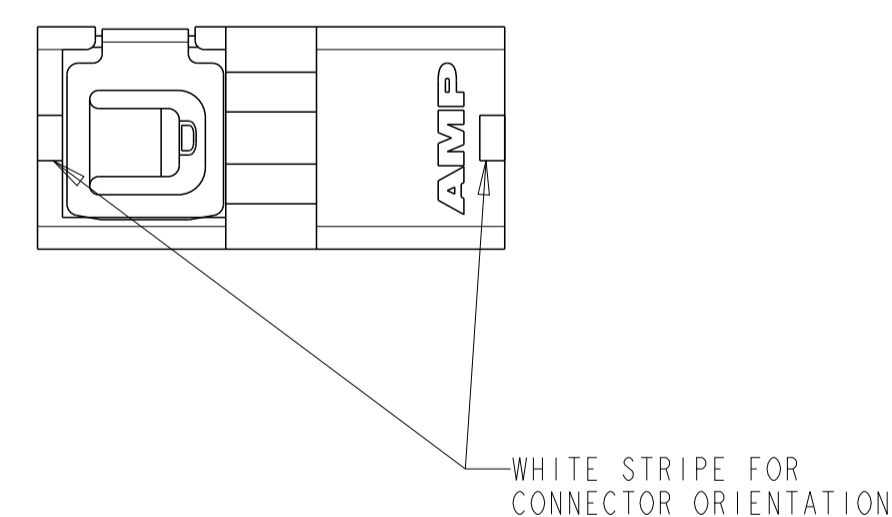
1588172-4  
SHOWN W/DUST CAPS  
(UNASSEMBLED)



1588172-3  
(WITHOUT FLANGE)  
SHOWN W/DUST CAPS  
ASSEMBLED



1588172-3  
(WITHOUT FLANGE)  
1588172-4  
(WITHOUT FLANGE)  
(WITH CLIP)



DESCRIPTION	PART NO.
△ MPO ADAPTER W/O FLANGE	1-1588172-1
△ MPO ADAPTER W/FLANGE	1-1588172-0
△ MPO ADAPTER W/FLANGE, AND CLIP	1588172-9
△ MPO ADAPTER W/O FLANGE W/ CLIP	1588172-8
△ MPO ADAPTER W/O FLANGE	1588172-7
△ MPO ADAPTER W/ FLANGE AND CLIP	1588172-6
△ MPO ADAPTER W/ FLANGE	1588172-5
△ MPO ADAPTER W/O FLANGE AND W/CLIP	1588172-4
MPO ADAPTER W/O FLANGE	1588172-3
MPO ADAPTER W/FLANGE, AND CLIP	1588172-2
MPO ADAPTER W/FLANGE	1588172-1

THIS DRAWING IS A CONTROLLED DOCUMENT.		DWN LG_EBY 06DEC2001	TE Connectivity	
DIMENSIONS:		CHK D.ROHDE 06DEC2001	NAME MPO ADAPTER ASSY, RETENTION CLIP AND PANEL ASSY.	
mm	TOLERANCES UNLESS OTHERWISE SPECIFIED:	APVD F.ABENDSCHEIN 06DEC2001	PRODUCT SPEC	
0 PLC	±	APPLICATION SPEC		
1 PLC	±.1	SIZE CAGE CODE DRAWING NO RESTRICTED TO		
2 PLC	±.05	A1 00779 C=1588172		
3 PLC	±	WEIGHT		
4 PLC	±	CUSTOMER DRAWING		
ANGLES	±	SCALE NTS SHEET 1 OF 1 REV J		
FINISH	±			