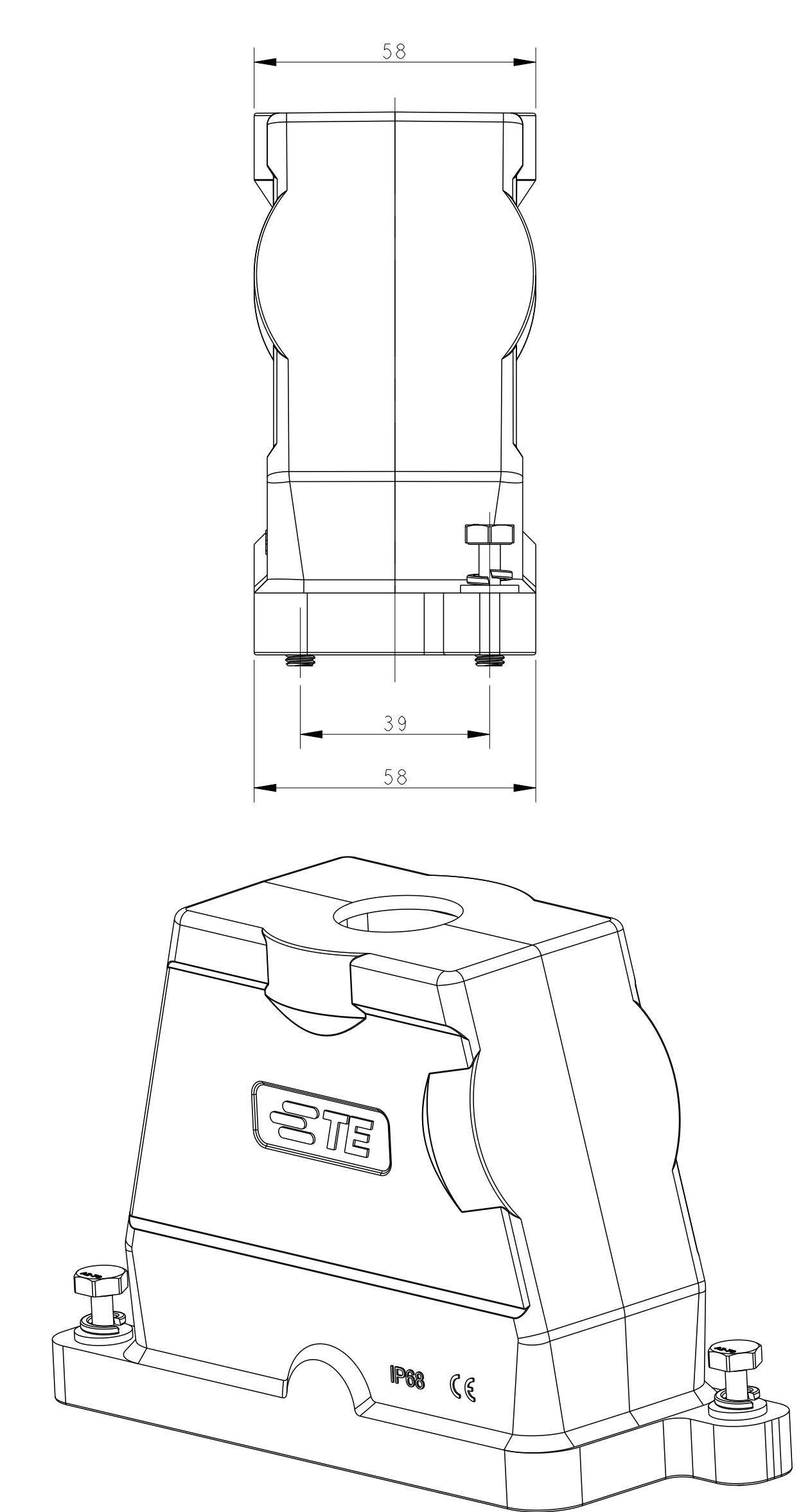
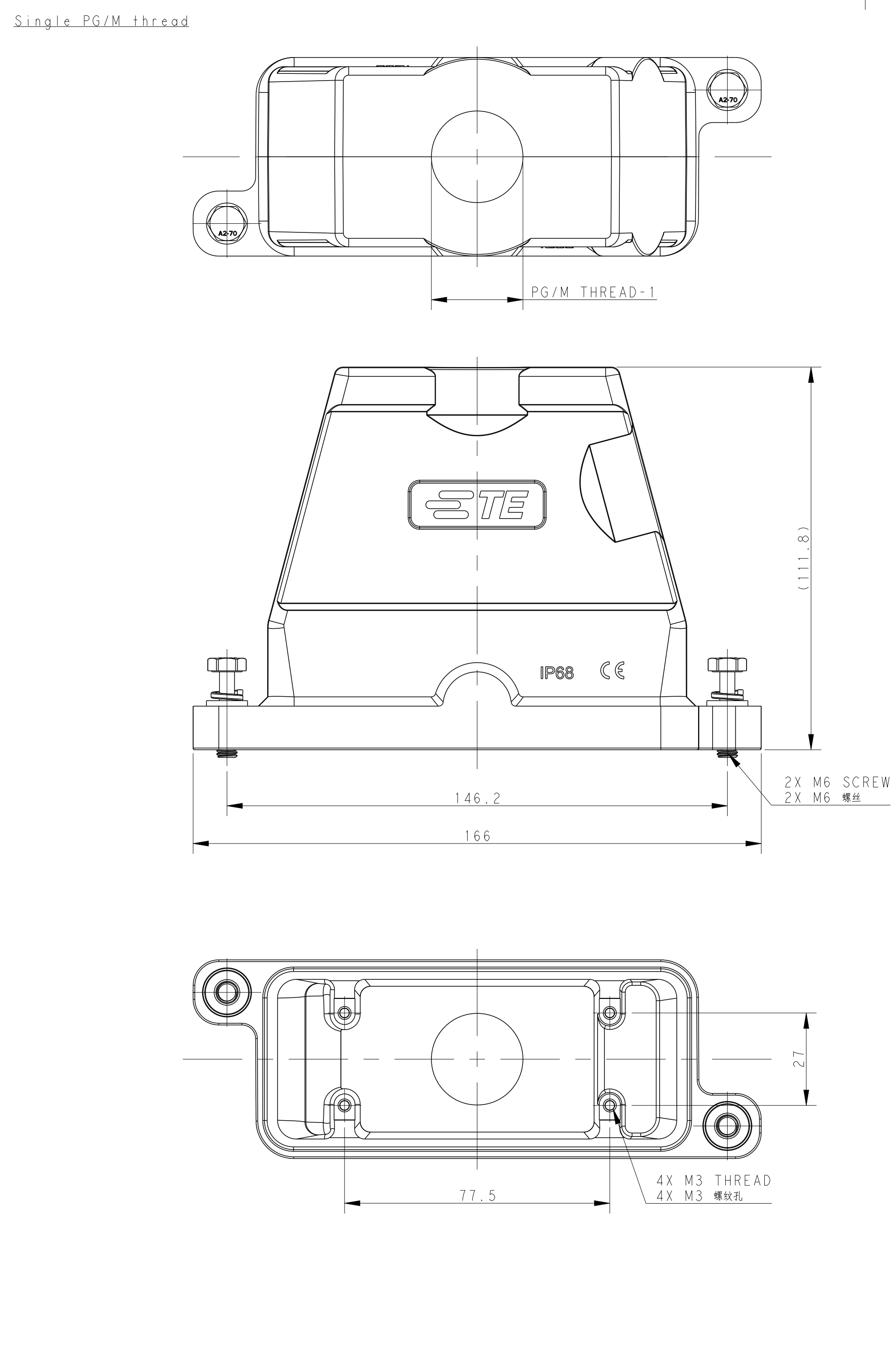
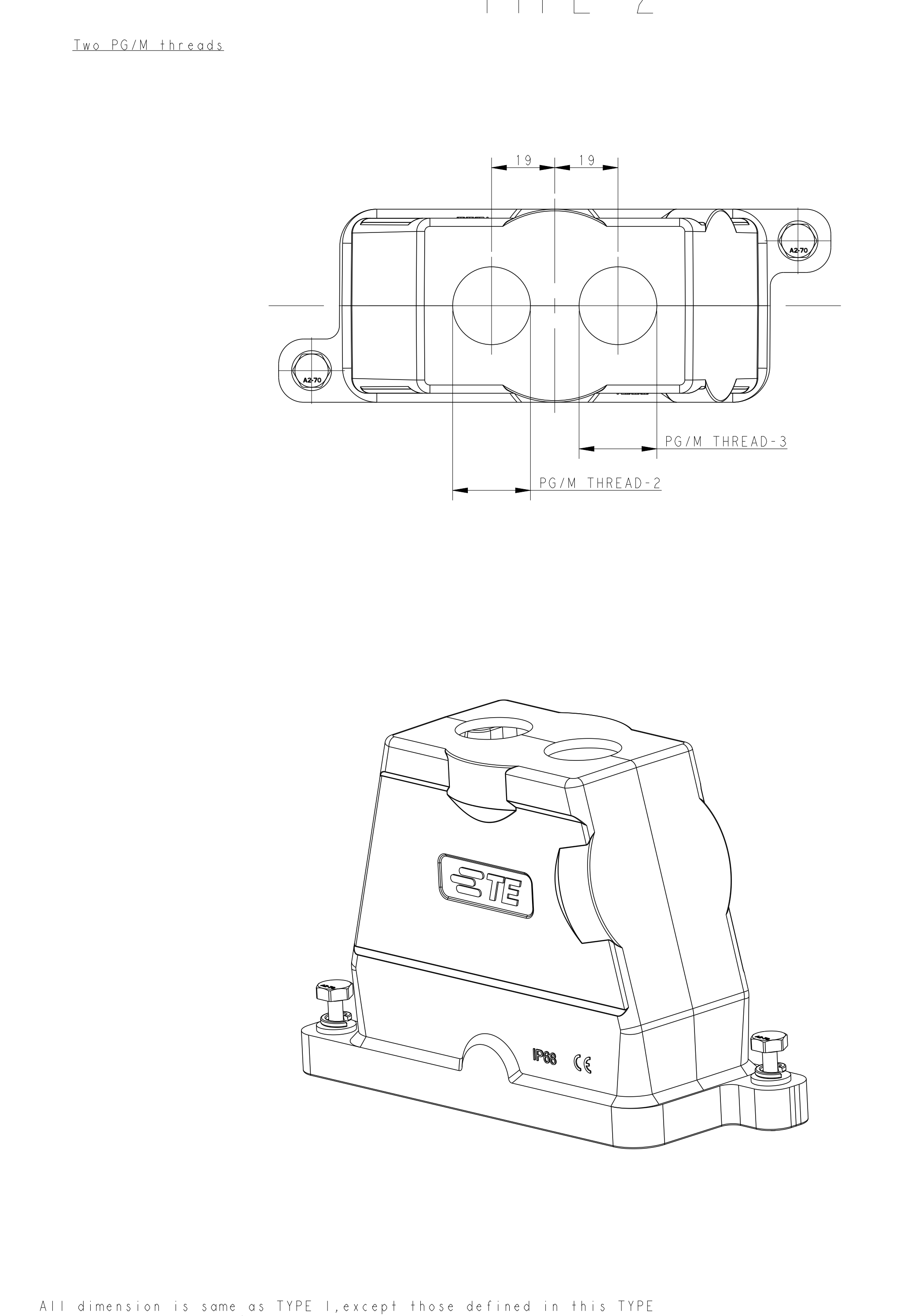


TYPE 1



TYPE 2



TYPE 3

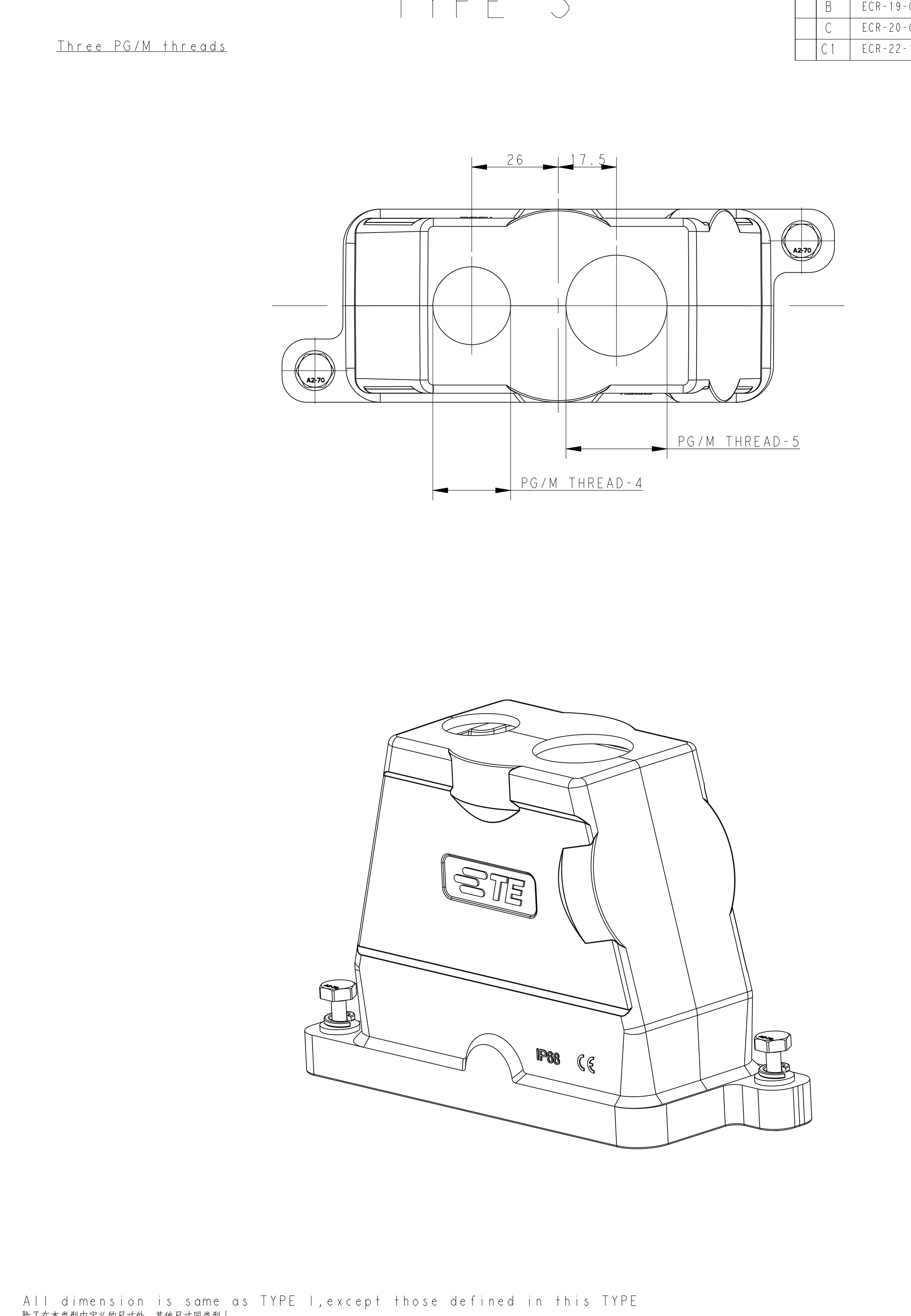


Table with 4 columns: P, LTV, DESCRIPTION, DATE, DWN, APVD. It contains revision history for parts A, B, C, and C1.

All dimension is same as TYPE 1, except those defined in this TYPE 除了在本类型中定义的尺寸外,其他尺寸同类型1

All dimension is same as TYPE 1, except those defined in this TYPE 除了在本类型中定义的尺寸外,其他尺寸同类型1

NOTES: TECHNICAL CHARACTERISTICS: HOOD MATERIAL: DIE CAST ALUMINIUM ALLOY SURFACE: SEE TABLE DEGREE OF PROTECTION: IP68 (MATED)

过程 1. 钣金类: 金属材料: 铝合金 表面处理: 见表格 防护等级: IP68 (符合)

Large table with columns for Part Number (料号), Part Description (描述), and various thread specifications (PG/M THREAD-1 to PG/M THREAD-5) and types (TYPE 1, TYPE 2, TYPE 3).

Technical drawing footer containing title block with dimensions, materials, customer drawing info, and company logo (STE TE Connectivity).