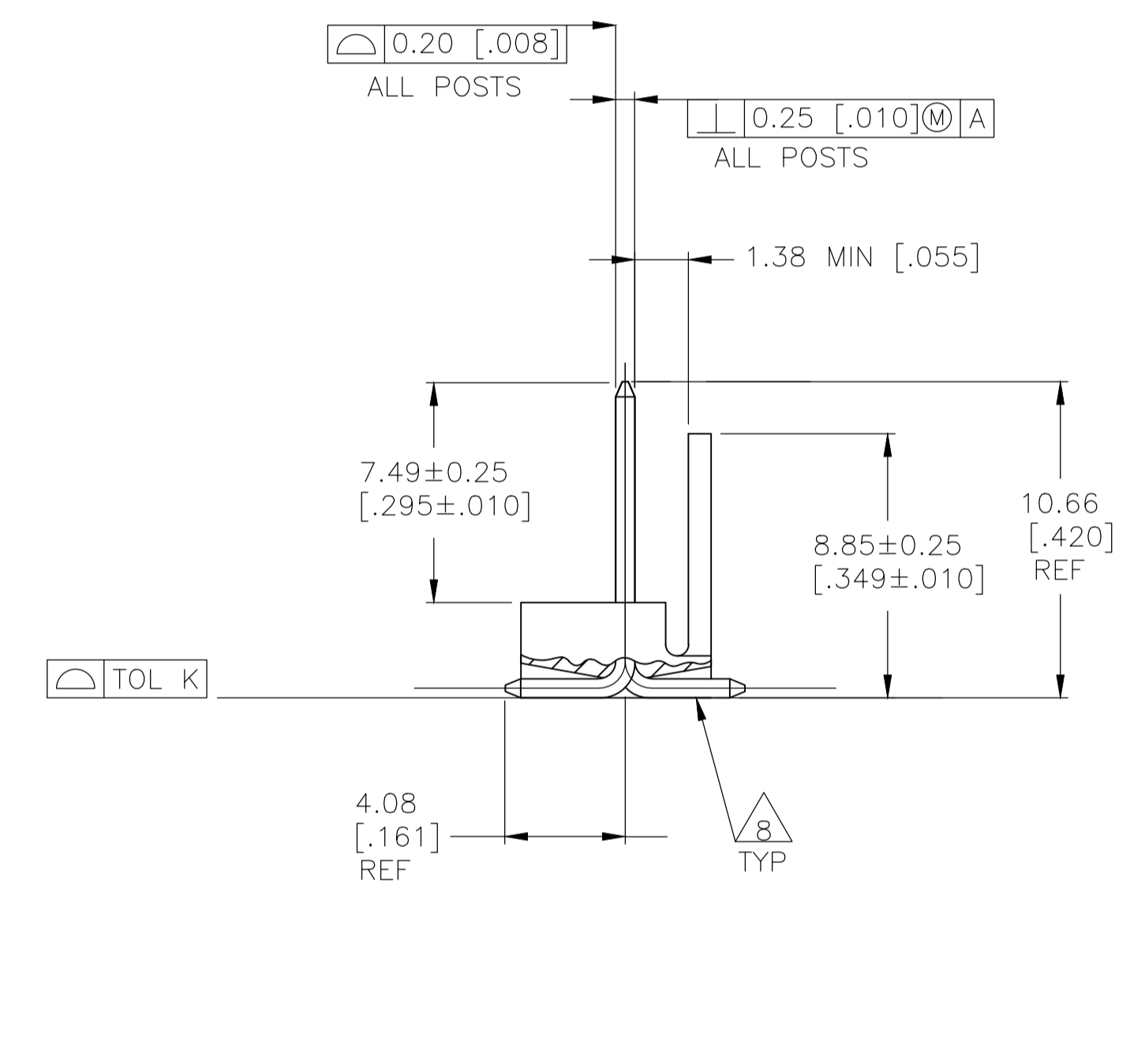
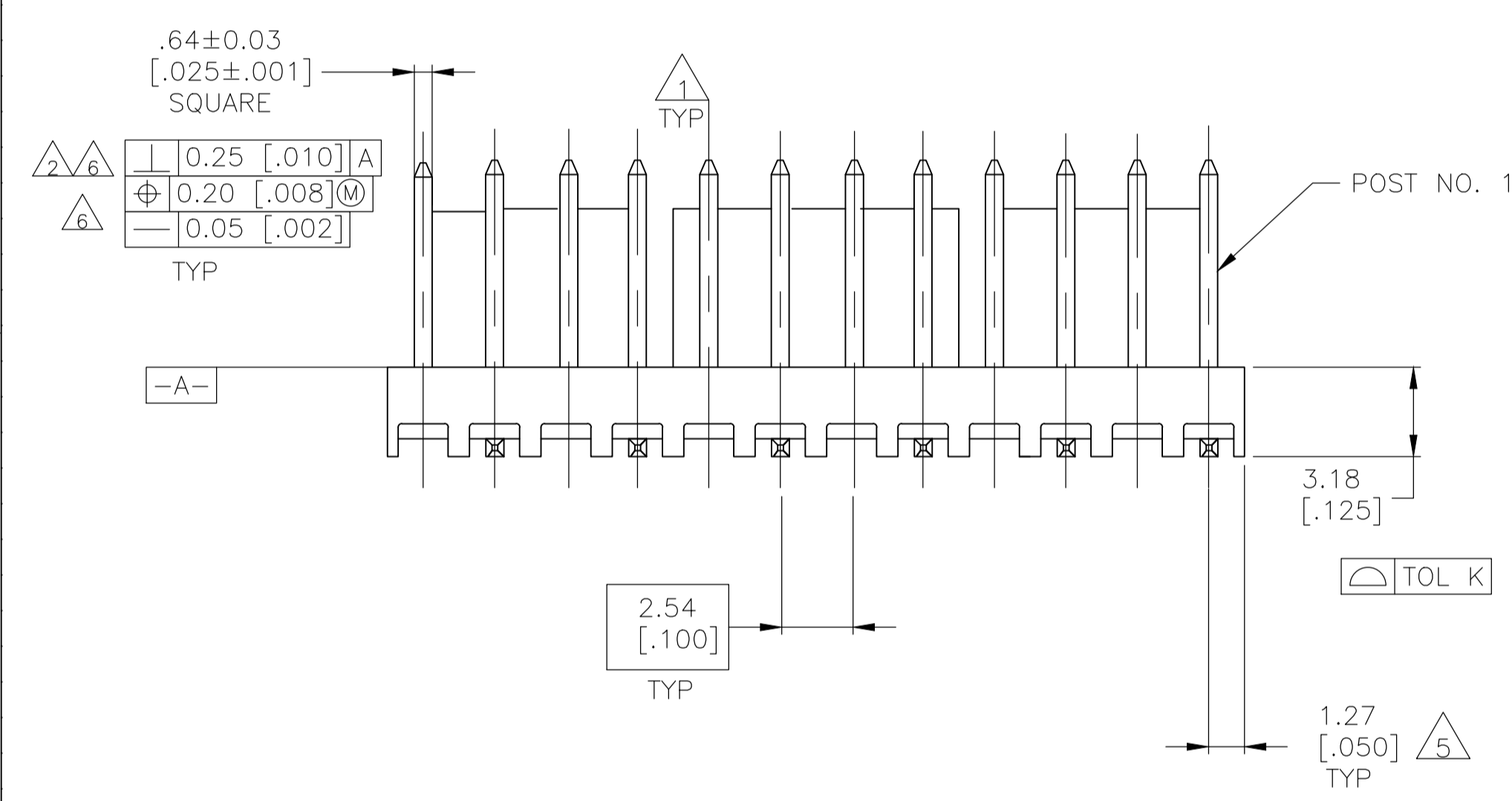
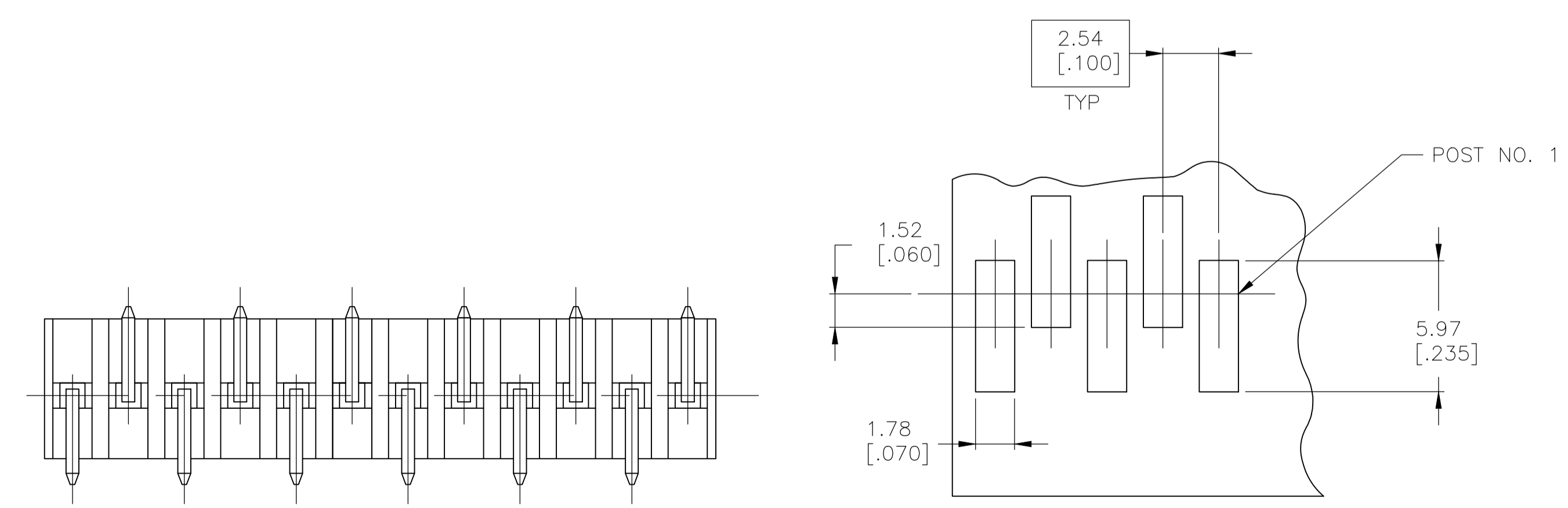


- 1. POST TO WITHSTAND 13 NEWTONS (3 LBS) MIN. AXIAL FORCE IN DIRECTION SHOWN WITHOUT DISLODGING.
- 2. MEASURED AT SURFACE [-A-]
- 3. PARTS COMPLY WITH AMP SOLDERABILITY SPEC. NO. 109-11-2.
- 4. HOUSING: NYLON 4/6, HIGH TEMP, BLACK
POST -2 THRU -18: COPPER ALLOY, TIN-LEAD (93/7) PLATING
POST -32 THRU -48: COPPER ALLOY TIN PLATE
- 5. COORDINATE DIMENSION APPLIES FROM CENTER OF ACTUAL FEATURE.
- 6. POSTS TO BE MEASURED WHEN STRIP IS HELD FLAT.
- 7. DIMENSIONS IN BRACKETS ARE IN INCHES.
- 8. TE LOGO AND UL AND CSA TRADEMARKS TO APPEAR ON THIS SURFACE.
- 9. OBSOLETE PARTS: OBSOLETE CIS STREAMLINING PER D.RENAUD/D.SINISI



| MM | [IN] | MM | [IN] | MM | [IN] | MM | [IN] | NO OF POSITIONS | PART NUMBER |
|------|------|-------|------|-------|------|-------|-------|-----------------|-------------|
| 0.15 | .006 | 10.16 | .400 | 12.70 | .500 | 30.48 | 1.200 | 12 | 4-647106-2 |
| 0.15 | .006 | - | - | 10.16 | .400 | 27.94 | 1.100 | 11 | 4-647106-1 |
| 0.15 | .006 | - | - | 7.62 | .300 | 25.40 | 1.000 | 10 | 4-647106-0 |
| 0.15 | .006 | - | - | 5.08 | .200 | 22.86 | .900 | 9 | 3-647106-9 |
| 0.15 | .006 | - | - | 2.54 | .100 | 20.32 | .800 | 8 | 3-647106-8 |
| 0.15 | .006 | - | - | - | - | 17.78 | .700 | 7 | 3-647106-7 |
| 0.15 | .006 | - | - | - | - | 15.24 | .600 | 6 | 3-647106-6 |
| 0.15 | .006 | - | - | - | - | 12.70 | .500 | 5 | 3-647106-5 |
| 0.15 | .006 | - | - | - | - | 10.16 | .400 | 4 | 3-647106-4 |
| 0.15 | .006 | - | - | - | - | 7.62 | .300 | 3 | 3-647106-3 |
| 0.15 | .006 | - | - | - | - | 5.08 | .200 | 2 | 3-647106-2 |



RECOMMENDED P.C BOARD LAYOUT FOR USE WITH 0.25 [.010] THICK STENCIL

- 9. SUPERCEDED BY 4-647106-2
- 9. SUPERCEDED BY 4-647106-1
- 9. SUPERCEDED BY 4-647106-0
- 9. SUPERCEDED BY 3-647106-9
- 9. SUPERCEDED BY 3-647106-8
- 9. SUPERCEDED BY 3-647106-7

| MM | [IN] | MM | [IN] | MM | [IN] | MM | [IN] | NO OF POSITIONS | PART NUMBER |
|------|------|-------|------|-------|------|-------|-------|-----------------|-------------|
| 0.15 | .006 | 10.16 | .400 | 12.70 | .500 | 30.48 | 1.200 | 12 | 4-647106-2 |
| 0.15 | .006 | - | - | 10.16 | .400 | 27.94 | 1.100 | 11 | 4-647106-1 |
| 0.15 | .006 | - | - | 7.62 | .300 | 25.40 | 1.000 | 10 | 4-647106-0 |
| 0.15 | .006 | - | - | 5.08 | .200 | 22.86 | .900 | 9 | 3-647106-9 |
| 0.15 | .006 | - | - | 2.54 | .100 | 20.32 | .800 | 8 | 3-647106-8 |
| 0.15 | .006 | - | - | - | - | 17.78 | .700 | 7 | 3-647106-7 |
| 0.15 | .006 | - | - | - | - | 15.24 | .600 | 6 | 3-647106-6 |
| 0.15 | .006 | - | - | - | - | 12.70 | .500 | 5 | 3-647106-5 |
| 0.15 | .006 | - | - | - | - | 10.16 | .400 | 4 | 3-647106-4 |
| 0.15 | .006 | - | - | - | - | 7.62 | .300 | 3 | 3-647106-3 |
| 0.15 | .006 | - | - | - | - | 5.08 | .200 | 2 | 3-647106-2 |

THIS DRAWING IS A CONTROLLED DOCUMENT.

| | | | |
|-------------------------|--|--------------------------------|---|
| DIMENSIONS: mm [INCHES] | TOLERANCES UNLESS OTHERWISE SPECIFIED: | DIN S. HOOVER 25-FEB-2003 | REV 1 |
| 0. PLC ± | 1. PLC ± | 2. PLC ± | 3. PLC ± |
| 4. PLC ± | ANGLES ± 0°30' | APPROVED: D. ROSSI 25-FEB-2003 | NAME: MTA-.100 HEADER ASSEMBLY, SURFACE MOUNT, POLARIZED, STRAIGHT .025 SQUARE POST, TIN OR TIN-LEAD PLATED |
| MATERIAL | FINISH | APPLICATION SPEC | SIZE: A1 |
| WEIGHT | CUSTOMER DRAWING | SCALE: 5:1 | SHEET 1 OF 1 |