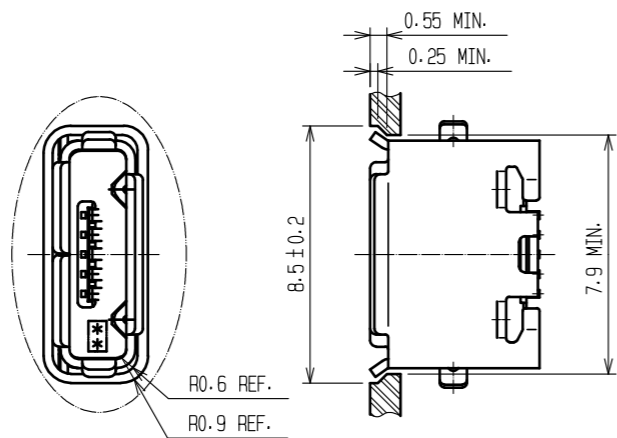
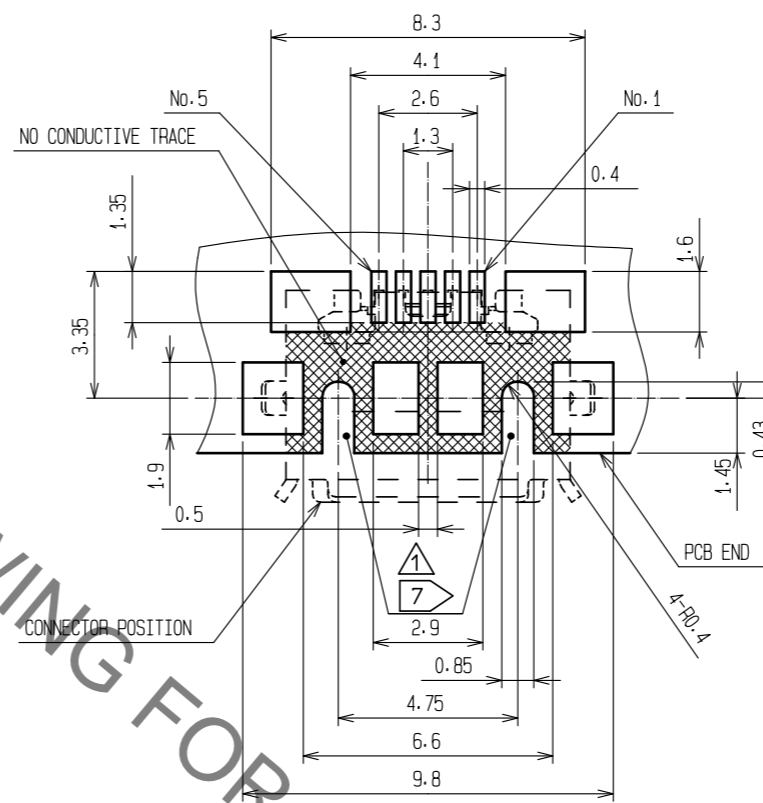


Apr.1.2023 Copyright 2023 HIROSE ELECTRIC CO., LTD. All Rights Reserved.
In case of consideration for using Automotive equipment / device which demand high reliability, kindly contact our sales window correspondents.

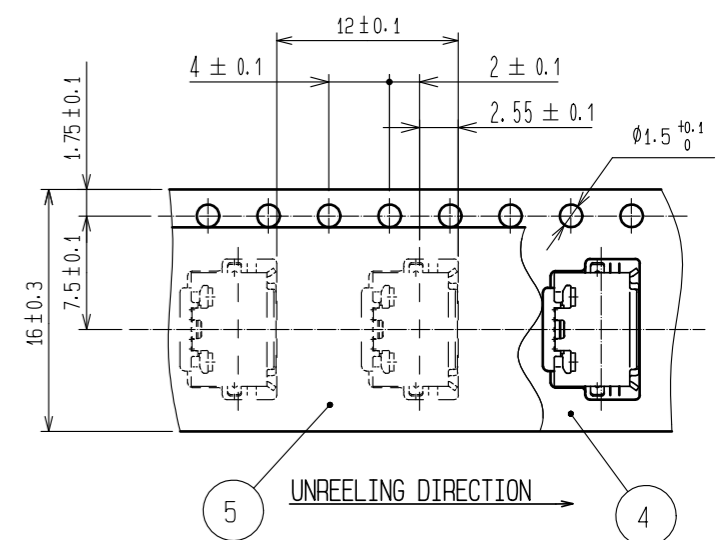
RECOMMENDED PANEL CUTOUT(4:1)



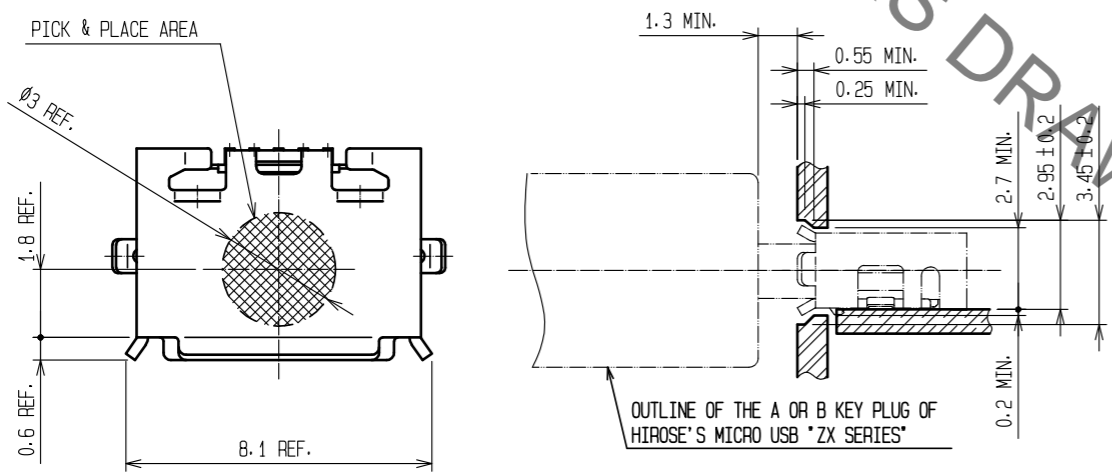
RECOMMENDED PC BOARD PATTERN



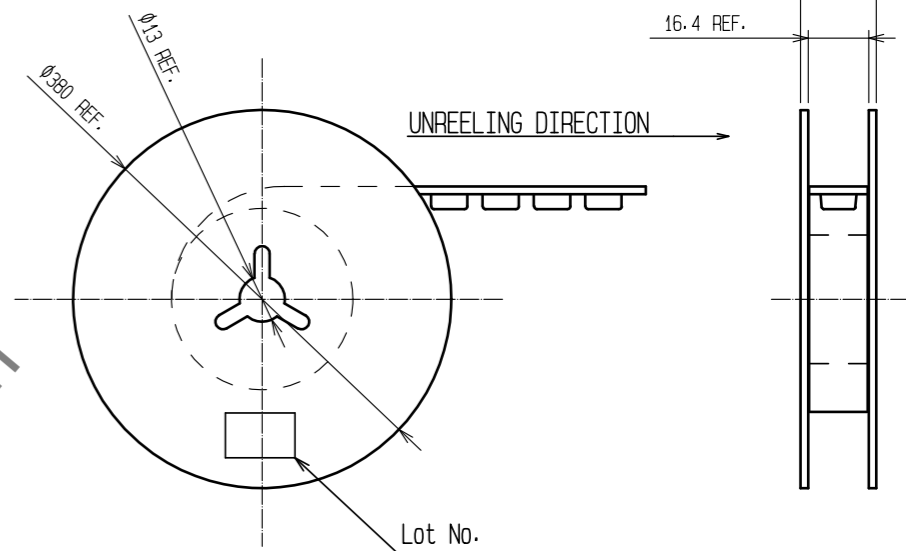
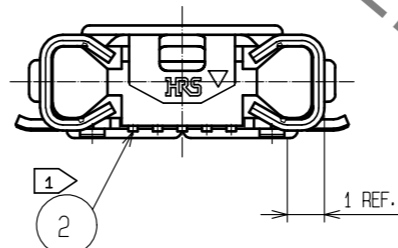
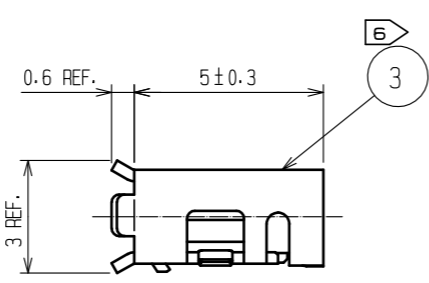
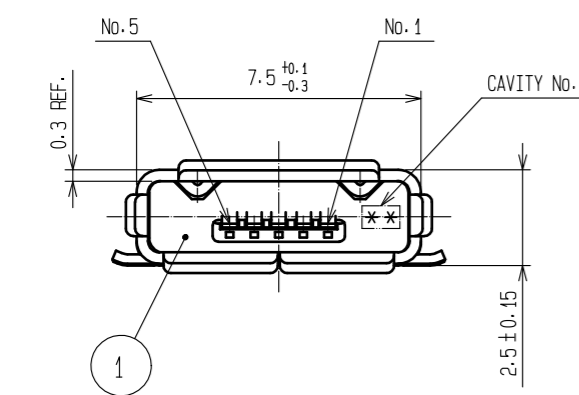
3 DRAWING FOR PACKING(FREE)



MATED WITH CORRESPONDING PLUG(4:1)



GENERAL TOLERANCE IS ±0.05mm



- NOTES.
- 1 CO-PLANARITY IS WITHIN 0.08mm MAX.
 - 2 PLATING
CONTACT AREA :GOLD 0.75µm MIN.
LEAD AREA :GOLD 0.05µm MIN.
UNDER PLATING:NICKEL 2µm MIN.
 - 3 PER REEL : 2000 pcs.
 - 4. INTERFACE DIMENSIONS CONFORMS TO USB2.0 SPECIFICATION.
 - 5. AS FOR PART No.3. THE PERFORMANCE REMAINS GOOD EVEN IF THERE IS A RUBBING WOUND BY THE ASSEMBLY PROCESS.
 - 6 AS FOR PART No.3. THERE IS NO PROBLEM ON THE QUALITY THOUGH THERE MIGHT BE A DIFFERENCE IN THE COLOR DEPENDING ON THE PLATING PROCESSING LOT.
- 7 PCB CUTOUTS ARE NECESSARY TO PREVENT THE LOCK FROM HITTING THE PCB WHEN MATING PLUG.

2	COPPER ALLOY	2	5	PE	
1	LCP	GRAY UL94V-0	4	PS	
			3	STAINLESS STEEL	
				TIN PLATING 1µm Min. LUBRICANT	
NO.	MATERIAL	FINISH . REMARKS	NO.	MATERIAL	FINISH . REMARKS
UNITS	mm	SCALE	5 : 1	COUNT	2
		DESCRIPTION OF REVISIONS	DESIGNED	CHECKED	DATE
		DIS-E-00011746	KIM JAEHYEON	KG.OKITA	20221122
APPROVED : NM. NISHIMATSU		20151027	DRAWING NO. EDC-126373-30-00		
CHECKED : KN. ICHIKAWA		20151027	PART NO. ZX62R-AB-5P(30)		
DESIGNED : TS. ITO		20151027	CODE NO. CL0242-0035-3-30		
DRAWN : AK. AKIYAMA		20151027	1/1		