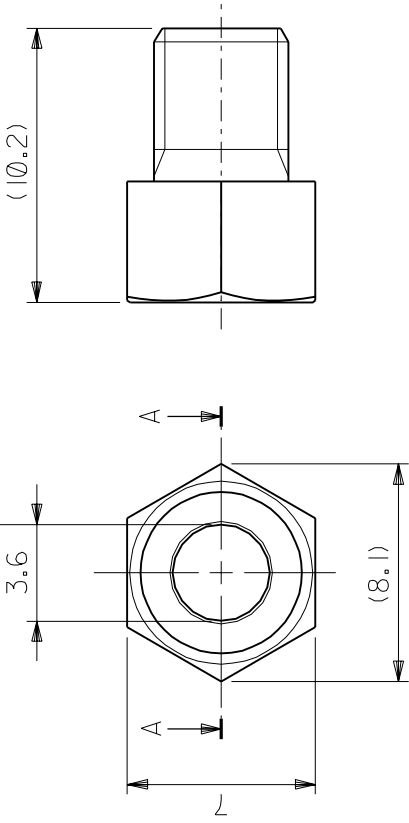
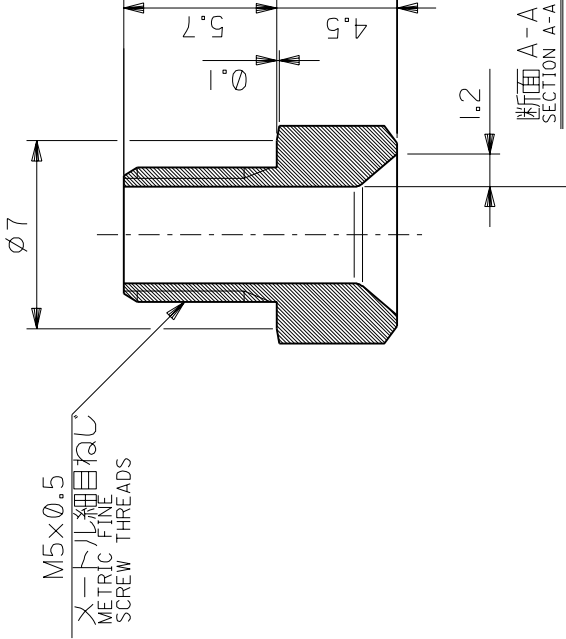


DWG. NO. SD-58002-0000



注) NOTES

1. 材質 : 鋼材
MATERIAL : STEEL
2. ヌッキ仕様 : ニッケル2.0 μ m MIN.
PLATING SPECIFICATION : NICKEL

| | |
|-------------|------------|
| 角度 | ±3° |
| 30 以上 | ±0.3 OVER |
| 10 以上 30 未満 | ±0.25 OVER |
| 10 未満 | ±0.2 UNDER |

一般公差
GENERAL TOLERANCES

| | | | |
|---------------------------|-------------------------|--|-------------------|
| 材料 MATERIAL | 注) * SEE NOTES | 材料 MATERIAL | 注) * SEE NOTES |
| 仕上げ FINISH | 注) * SEE NOTES | 仕上り FINISH | 注) * SEE NOTES |
| 適用電線範囲 WIRE RANGE | — # | 適用電線範囲 WIRE RANGE | — # |
| 被覆外径 INS. RANGE | — # | 被覆外径 INS. RANGE | — # |
| DRN | DATE | DRAWN BY | CHK'D BY |
| 0 | 95/6/28 | M.S. | H. Sakai |
| 新編作成 RELEASED (150551) | | 訂正 CORRECTED | |
| 記号 LTR | 変更内容 REVISION RECORD | APP'D BY | 尺度 SCALE |
| | | 95/6/28 | 4-1 |
| | | MOLEX-JAPAN CO.,LTD. 日本モレックス株式会社 | |
| | | REVISE ONLY ON CAD SYSTEM | |
| | | TITLE 名称 | |
| | | GUIDE BUSH (FOR STRAIGHT I/O CONN.) | |
| | | DWG. NO. | REV |
| | | SD-58002-0000 | 0 |

MM DIMENSIONS IN METRIC DO NOT SCALE DRAWING