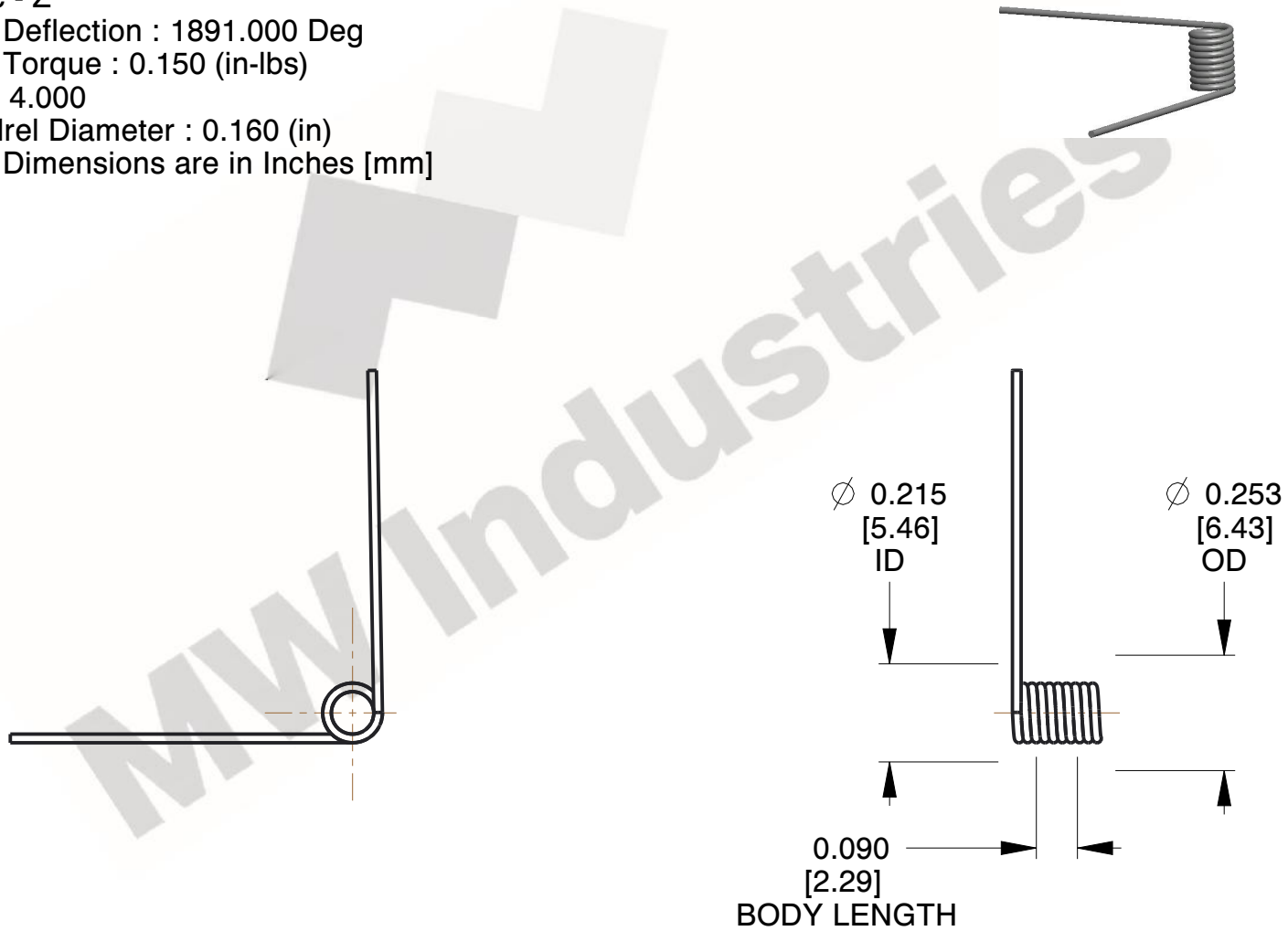


NOTES:

1. Material : Music Wire
2. Finish : Zinc - Z
3. Sugg. Max. Deflection : 1891.000 Deg
4. Sugg. Max. Torque : 0.150 (in-lbs)
5. Total Coils : 4.000
6. Sugg. Mandrel Diameter : 0.160 (in)
7. All Drawing Dimensions are in Inches [mm]



| COMPONENT | | TORSION SPRINGS | |
|-----------------|--|-----------------|--|
| TO-1114 | | UNIT | |
| | | INCH [mm] | |
| | | SHEET | |
| TORSION SPRINGS | | 1 of 1 | |