



Door-coupling rotary operating mechanism IP64 for circuit breaker Size S00...S3 130 mm shaft black

General technical data		
product brand name		SIRIUS
product designation		door-coupling rotary operating mechanism
size of the circuit-breaker		S00, S0, S2, S3
design of the product		standard
control version of the switch operating mechanism		short shaft
suitability for use		Circuit breaker S00, S0, S2, S3
ambient temperature		
• during storage	°C	-50 ... +80
• during operation	°C	-20 ... +70
operating frequency maximum	1/h	15
color of the actuating element		black
Installation/ mounting/ dimensions		
mounting position		any
fastening method		screw fixing
width	mm	66
height	mm	66
depth	mm	50
length	mm	130
diameter	mm	22.5
required spacing for grounded parts		
• forwards	mm	0
• backwards	mm	0
• upwards	mm	0
• at the side	mm	0
• downwards	mm	0
Certificates/ approvals		
certificate of suitability		CE / UL / CSA
General Product Approval		Declaration of Conformity
		Test Certificates



[Miscellaneous](#)



[Type Test Certificates/Test Report](#)

Shipping Approval	other
-------------------	-------



[Confirmation](#)



#### Further information

Information- and Downloadcenter (Catalogs, Brochures,...)

<https://www.siemens.com/ic10>

Industry Mall (Online ordering system)

<https://mall.industry.siemens.com/mall/en/en/Catalog/product?mlfb=3RV2926-0B>

Cax online generator

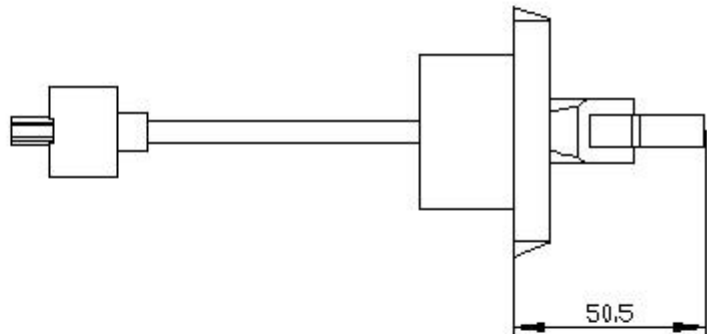
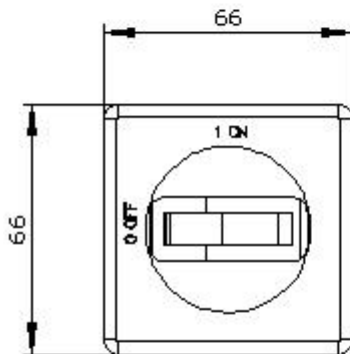
<http://support.automation.siemens.com/WW/CAXorder/default.aspx?lang=en&mlfb=3RV2926-0B>

Service&Support (Manuals, Certificates, Characteristics, FAQs,...)

<https://support.industry.siemens.com/cs/ww/en/ps/3RV2926-0B>

Image database (product images, 2D dimension drawings, 3D models, device circuit diagrams, EPLAN macros, ...)

[http://www.automation.siemens.com/bilddb/cax\\_de.aspx?mlfb=3RV2926-0B&lang=en](http://www.automation.siemens.com/bilddb/cax_de.aspx?mlfb=3RV2926-0B&lang=en)



last modified:

12/10/2020