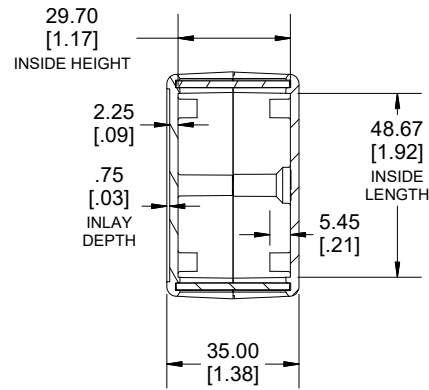
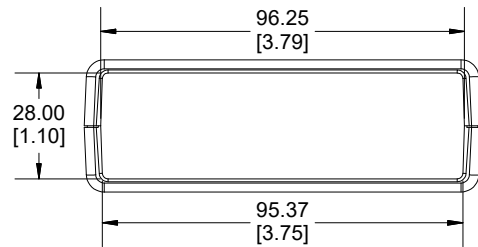
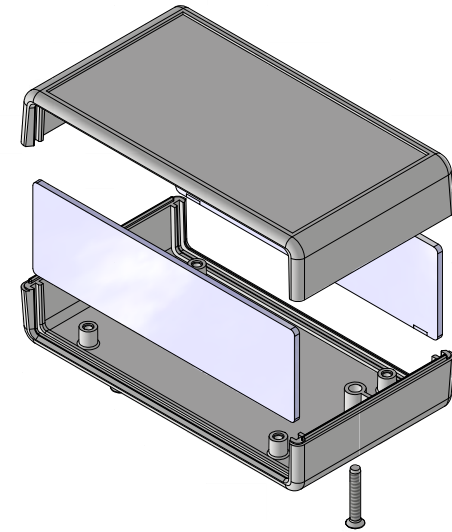


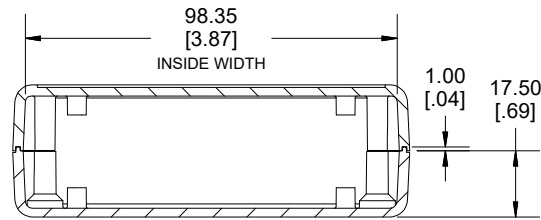
**TOP VIEW**



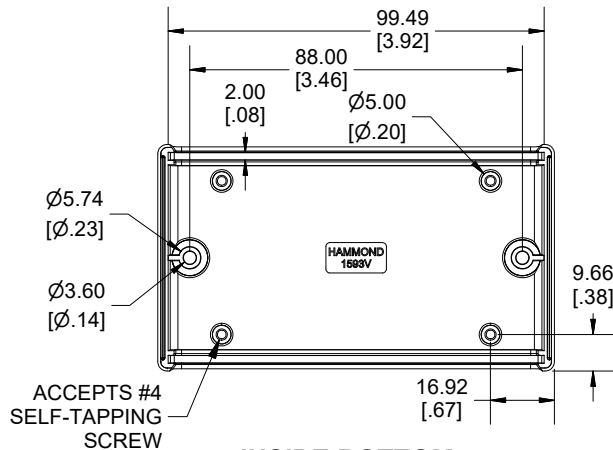
**SECTION B-B**



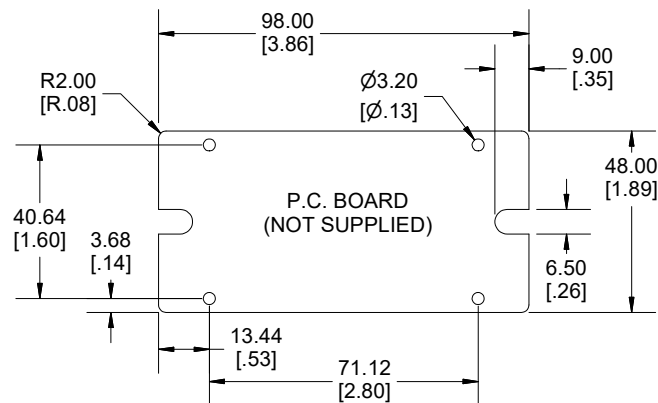
**END VIEW**



**SECTION A-A**



**INSIDE BOTTOM**



**Dimensions:**  
mm  
[inches]

Enclosures can be Factory Modified (Milling, Drilling, Printing etc.)  
Contact Factory ([modshop@hammfg.com](mailto:modshop@hammfg.com)) for quotes  
Solid models of this enclosure available in .stp or .x\_t  
(Part number and text placement/orientation on our products are subject to change,  
we do not recommend using them as a locating reference for modification purposes)

**NOTE**

Enclosure molded from GP ABS (UL94-HB) plastic.  
Purchased assembly includes top and bottom cover, 2 flat panels for front and rear and 2 cover screws.

**Recommended Torque: Cover screws - 40 cN-m [57 ozf-in]  
Internal mounting screws - 20-30 cN-m [29-42 ozf-in]**

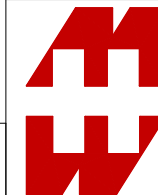
**1593**

**1593V Regular Enclosure**

Black Enclosure	1593VBK
Grey Enclosure	1593VGY
Translucent Blue Enclosure	1593VTBU

**ACCESSORIES**

Cover Screws #4 X 3/4" Self-Tapping (100 Pkg)	1593QS100 (Silver)	
	1593QS100BK (Black)	
P.C. Board Screws #4 X 1/4" Self-Tapping	1593ATS50 (Pkg 50)	
	1593ATS100 (Pkg 100)	
Nylon Belt Clip	1599CLIP (Black)	
	1599CLIPGY (Grey)	
1593V STD FLAT PANEL (Pkg 10)	Black	1593VLBK-10
	Grey	1593VLGY-10
	Translucent Blue	1593VLTBU-10
	Aluminum	1593VAL10



**HAMMOND  
MANUFACTURING®**

**1593V**

[www.hammondmfg.com](http://www.hammondmfg.com)