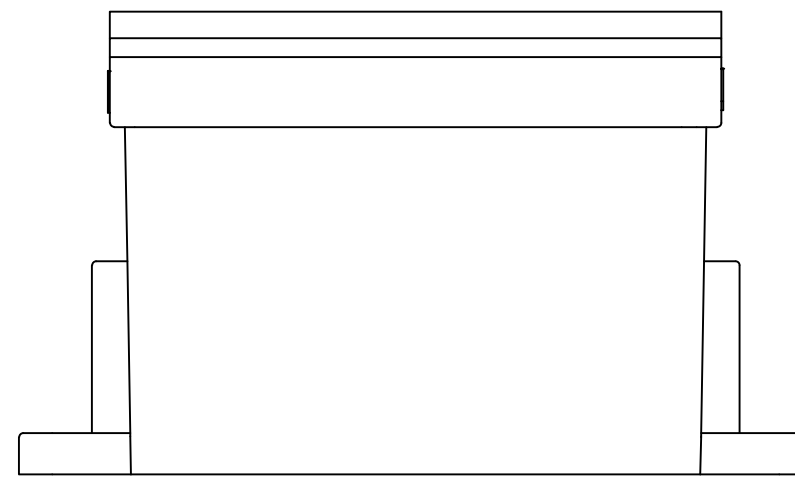
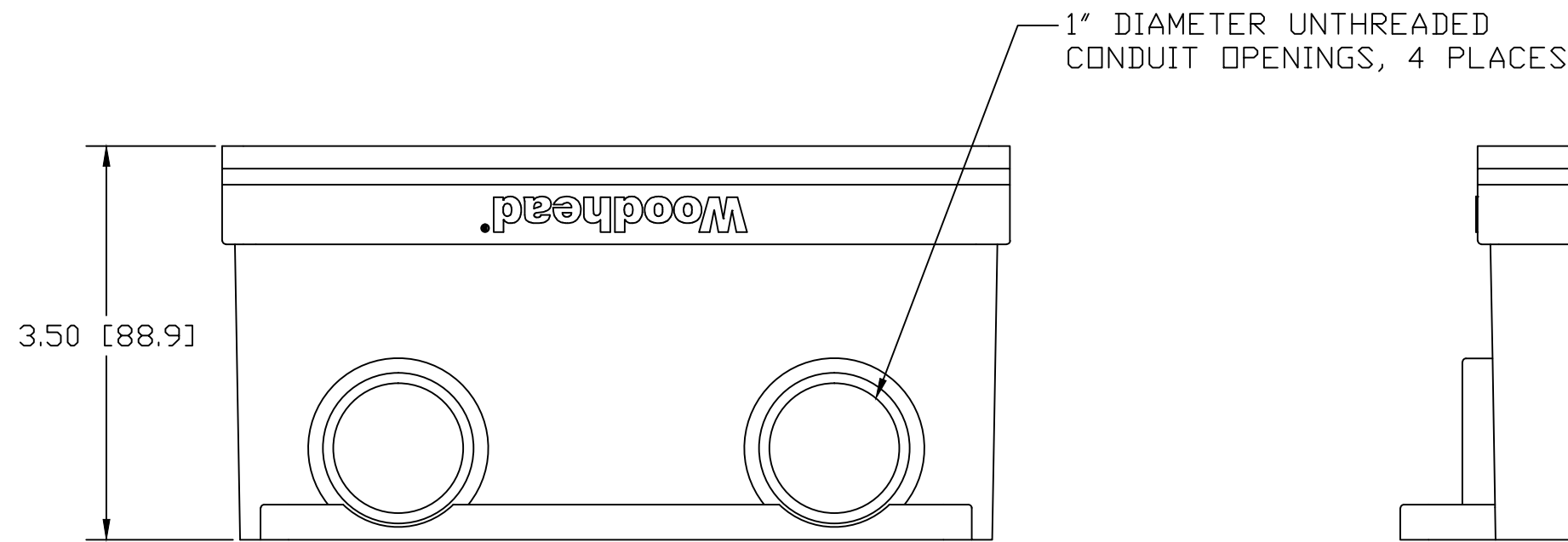
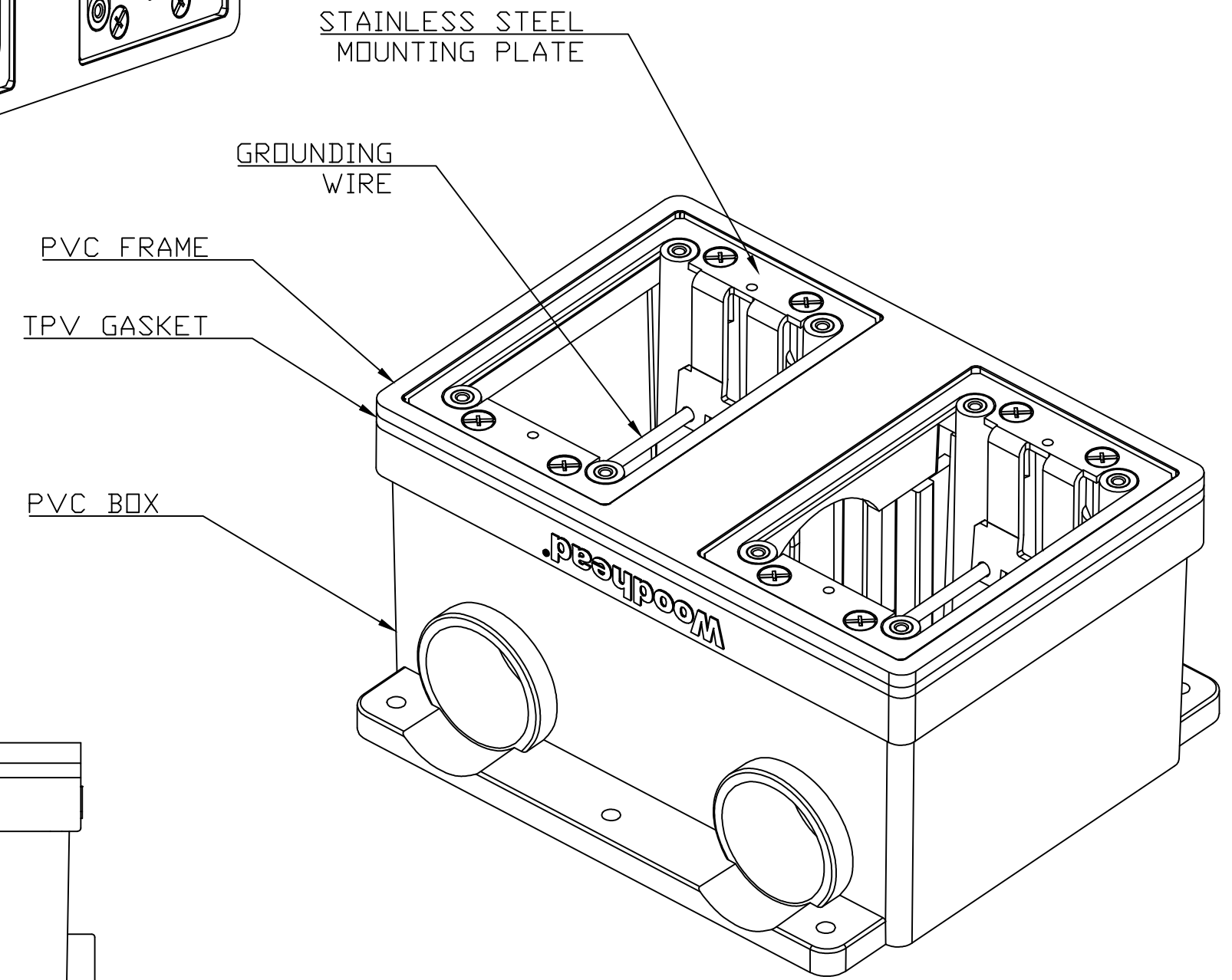
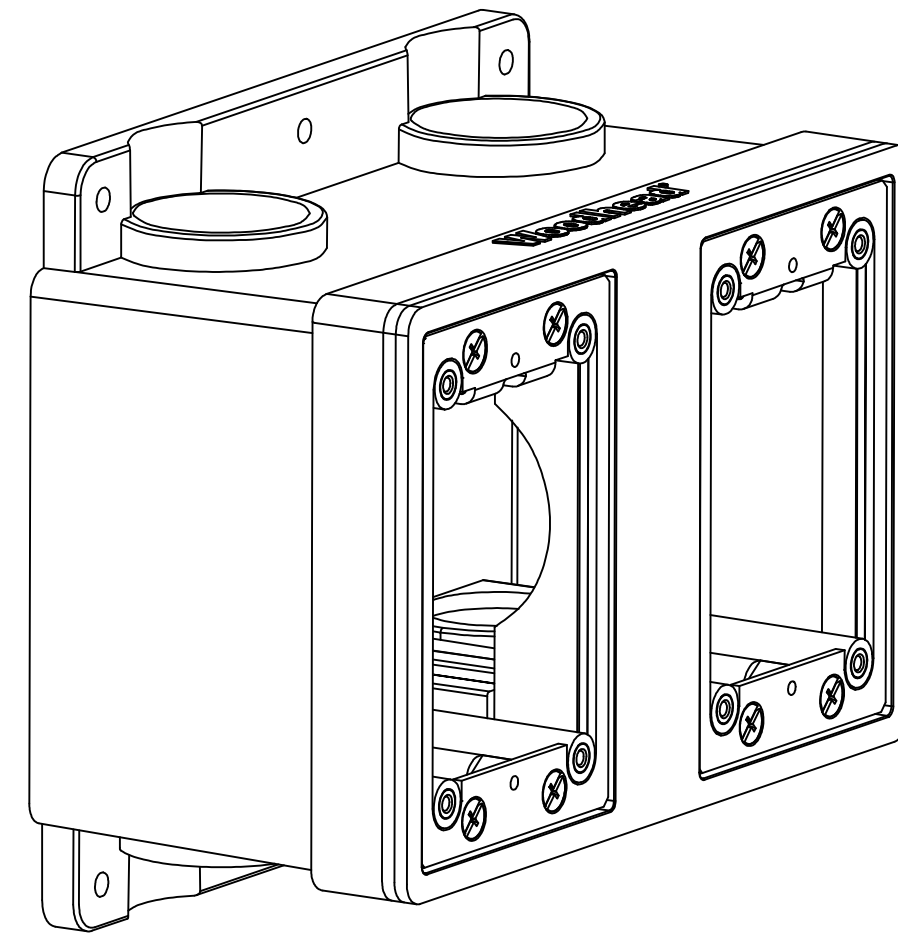
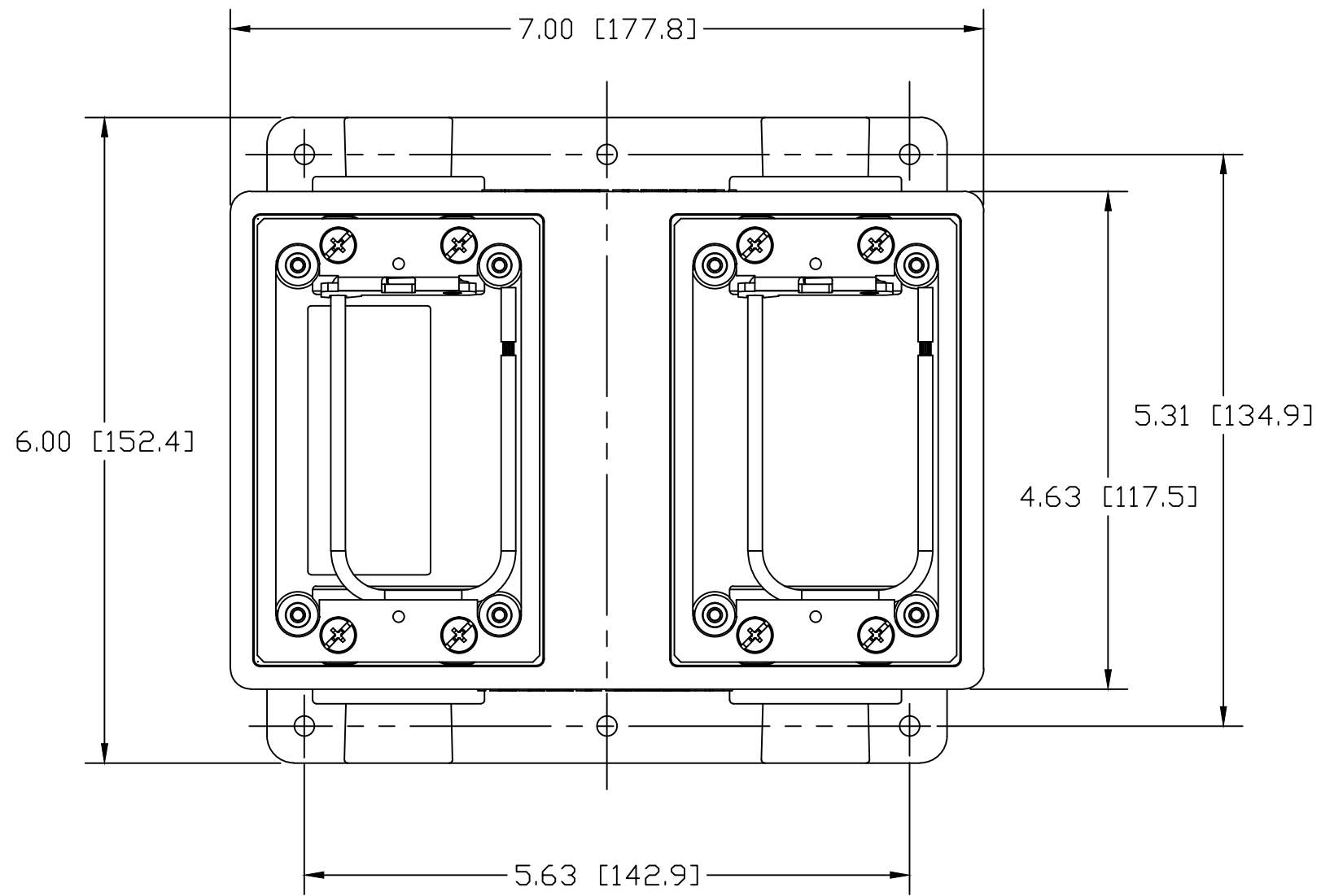


13 12 11 10 9 8 7 6 5 4 3 2 1

J
I
H
G
F
E
D
C
B
A



INCLUDES:
REDUCERS FOR 3/4" AND 1/2" CONDUIT
AND PLUGS FOR UNUSED HOLES.

MATERIAL #	ENGINEERING #	COLOR
1301280151	455-FD2	YELLOW
1301280161	455-FD2BLK	BLACK

RELEASE DRAWING EC NO.: IPG2014-0796 DRWN: HKNEELAN 2013/11/01 CH'KD: HKNEELAN APPR: JFMURPHY 2013/11/08	QUALITY SYMBOL	GENERAL TOLERANCES (UNLESS SPECIFIED)	DIMENSION STYLE INCH[MM]	SCALE NTS	DESIGN UNITS INCH	THIRD ANGLE PROJECTION
	▽=0	4 PLACES ±--- ±---	mm INCH	DRAWN BY DATE	TITLE	FD BOX, 2 GANG FOR WATERTITE PRODUCTS
	∇=0	3 PLACES ±--- ±.005		HKNEELAN 2013/11/01		
		2 PLACES ±0.13 ±.010		CHECKED BY DATE	MOLEX INCORPORATED	
	1 PLACE ±0.25 ±.020	ANGULAR ±.5°	APPROVED BY DATE	JFMURPHY 2013/11/08	DOCUMENT NO. SD-130128-002	SHEET NO. 1 OF 1
		DRAFT WHERE APPLICABLE MUST REMAIN WITHIN DIMENSIONS	MATERIAL NO. SEE CHART	THIS DRAWING CONTAINS INFORMATION THAT IS PROPRIETARY TO MOLEX INCORPORATED AND SHOULD NOT BE USED WITHOUT WRITTEN PERMISSION		

13 12 11 10 9 8 7 6 5 4 3 2 1