

**MATERIAL AND FINISH:**  
 Insulator: Polycarbonate,  
 UL-94V-0 rated  
 Contacts: Brass, Nickel plated

RoHS  
 COMPLIANT

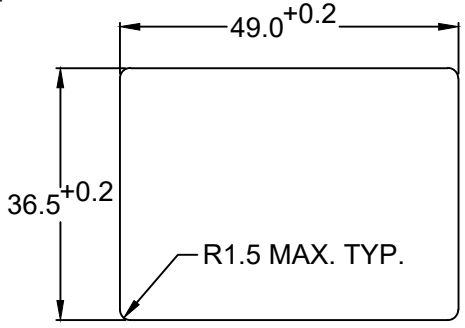
ORDERING CODE:  
 42R37-  
 1 2 3 4

- 1) SNAP-IN MOUNT  
 3 = WITHOUT LAMP  
 8 = WITH NEON LAMP
- 2) COLOR  
 1 = BLACK  
 2 = GRAY
- 3) ELECTRICAL CIRCUIT CONFIGURATION

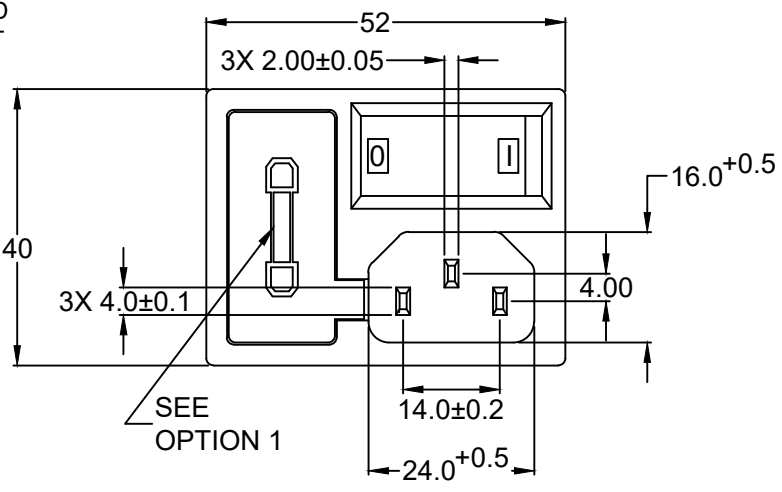
- 1 = 10A 250V 70°C  
 2+GROUND, 1 FUSE  
 1 POLE SWITCH
- 3 = 10A 250V 70°C  
 2+GROUND, 1 FUSE  
 2 POLE SWITCH
- 4 = 10A 250V 70°C  
 2+GROUND, 2 FUSE  
 2 POLE SWITCH
- 7 = 10A 250V 120°C  
 2+GROUND, 1 FUSE  
 2 POLE SWITCH
- 8 = 10A 250V 120°C  
 2+GROUND, 2 FUSE  
 2 POLE SWITCH
- 11 = 10A 250V 70°C  
 2 POLE, 1 FUSE  
 2 POLE SWITCH
- 12 = 10A 250V 70°C  
 2 POLE, 2 FUSE  
 2 POLE SWITCH

4) PANEL THICKNESS

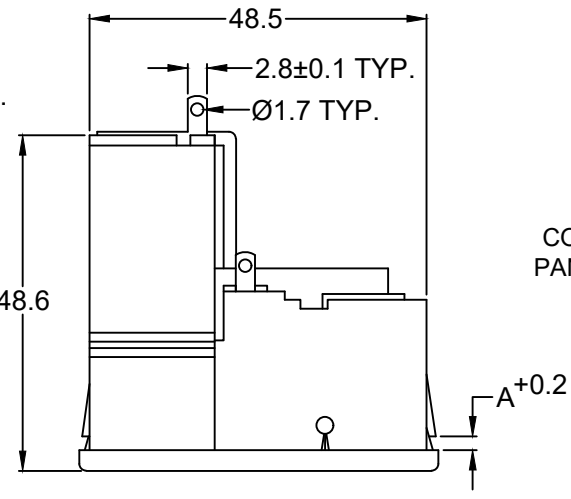
**ELECTRICAL SPECIFICATIONS:**  
 Inlet Current rating: 10 A  
 Fuse Holder Current rating:  
 5A 6.3A  
 Voltage rating: 250 VAC  
 Insulation resistance: 100 Mohm min.  
 at 500 VDC  
 Dielectric withstanding voltage: 2000  
 VAC for one minute



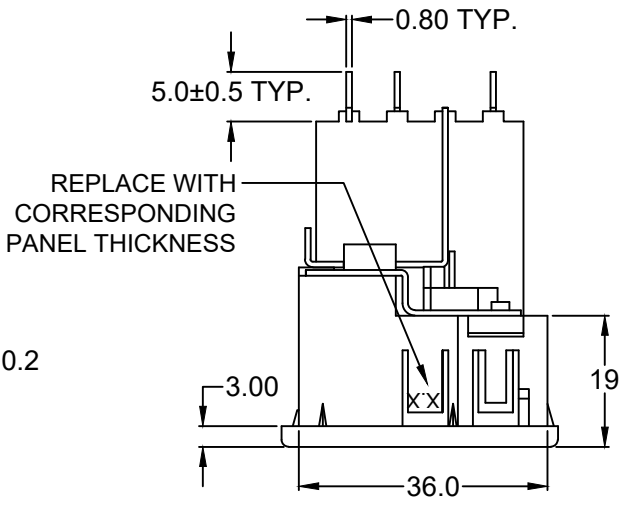
RECOMMENDED  
 PANEL CUTOUT



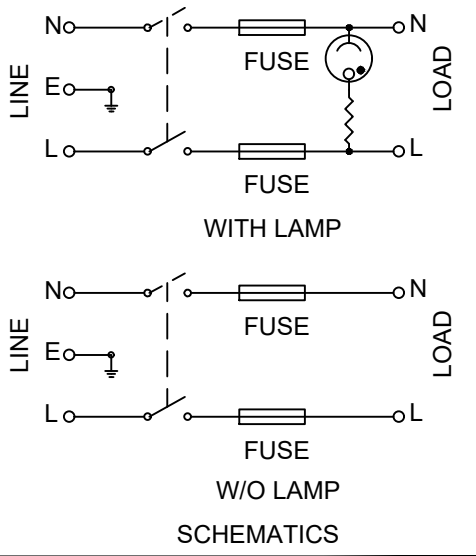
SEE  
 OPTION 1



REVISIONS					
REV	DATE	CHANGE	CHNG	CHK	APPR
A	1/6/22	REVISED CURRENT RATINGS	PB		



REPLACE WITH  
 CORRESPONDING  
 PANEL THICKNESS



SCHEMATICS

TOLERANCE  
 UNLESS OTHERWISE SPECIFIED

X	± 1
X.X	± 0.4
X.XX	± 0.20

**Power Dynamics, Inc.**  
 Phone: 973 560-0019 Whippany, New Jersey Fax: 973 560-0076

PART: IEC 60320 FUSE HOLDER AND POWER  
 SWITCH APPL. INLET; SOLDER TERMINALS

P/N	A	MAX. PANEL THICKNESS
42R37-XX3X-150	1.5	1.5
42R37-XX3X-200	2.0	2.0

ADDITIONAL PANEL THICKNESS AND ONE  
 POLE SWITCH AVAILABLE ON REQUEST

DRAWN BY: PB	DATE: 09/20/22
CHECK BY:	DATE:
APPR BY:	DATE:

PART #: 42R37-XX3X-XXX		SHEET 1 of 1
SIZE: A	ALL DIMENSIONS FOR REFERENCE ONLY DIMENSIONS ARE IN MILLIMETERS	
SCALE: NTS	REV:	