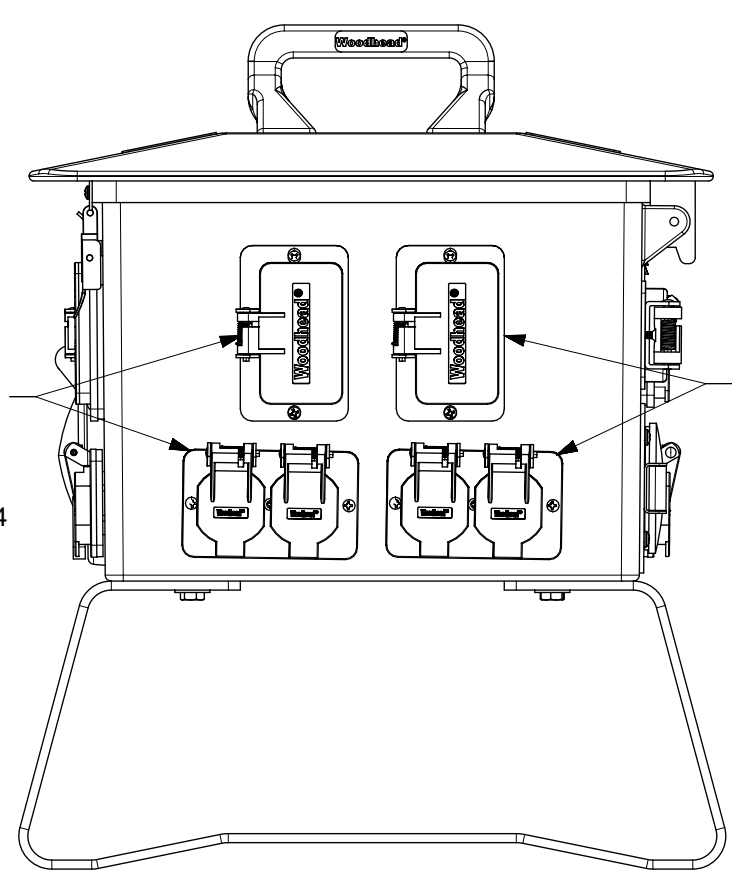
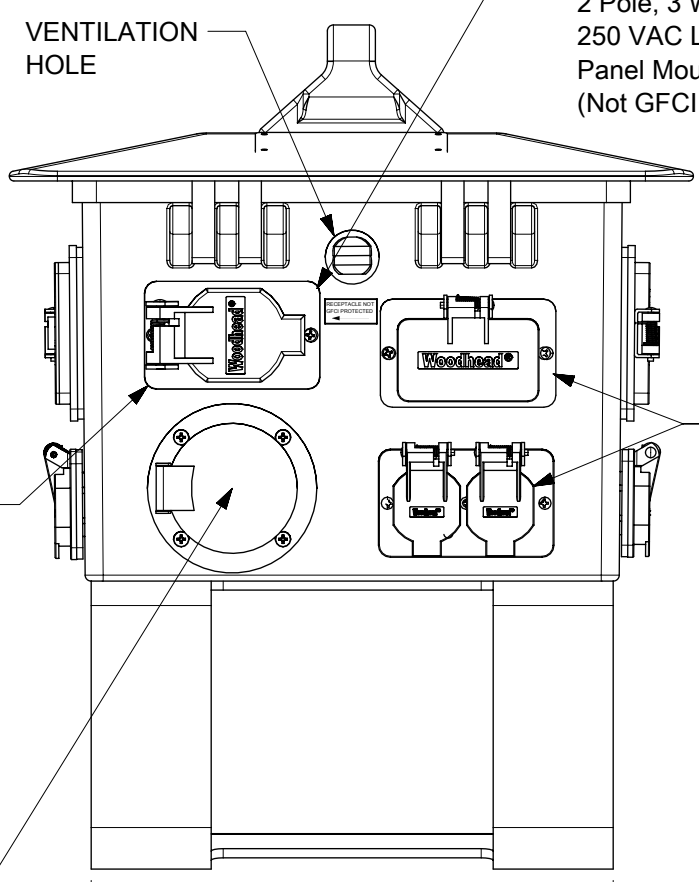


FEED THRU:
Qty(1) 50A,
California Style Locking Receptacle,
Single Phase (H,H,N,G),
125/250 VAC, Panel Mount

BACK VIEW
(FEE THRU)

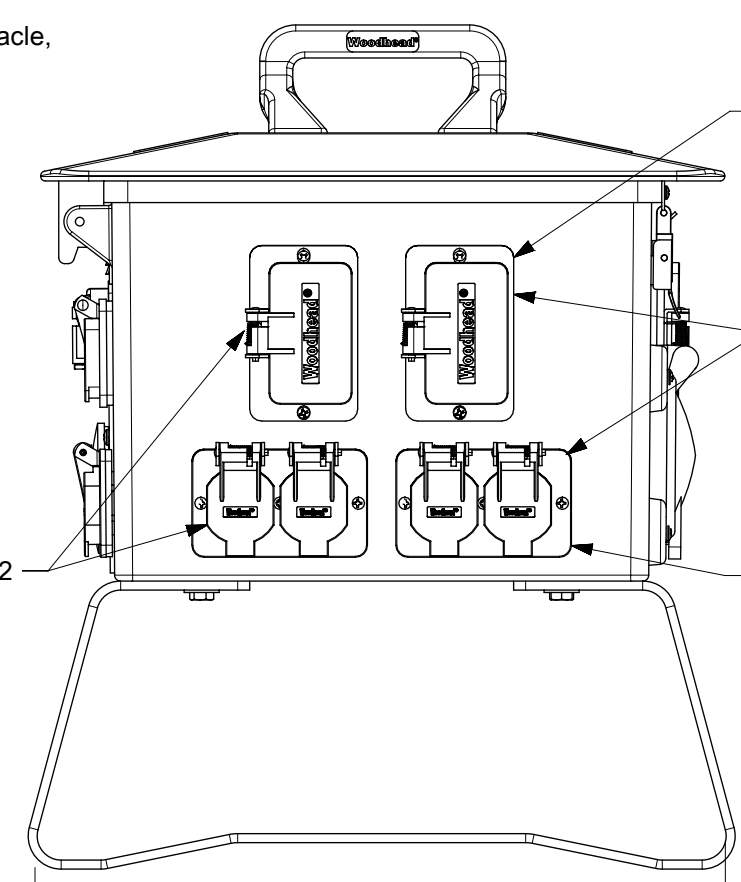


LEFT SIDE



INPUT:
Qty(1) 50A,
California Style Locking Inlet,
Single Phase (H,H,N,G),
125/250 VAC, Panel Mount

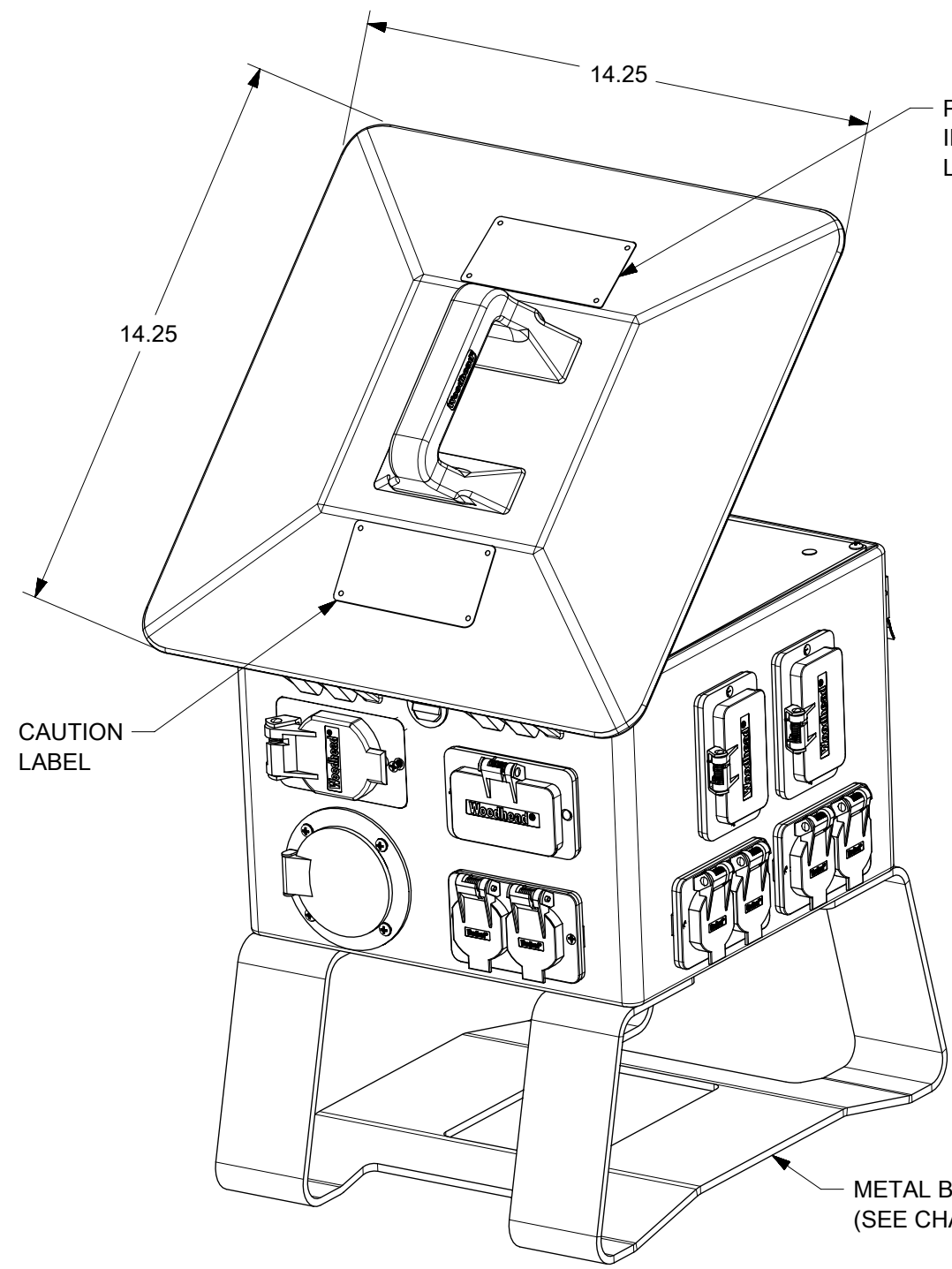
FRONT VIEW
(INPUT)



RIGHT SIDE

GFCI Open-Neutral
Protection Modules:
Qty(6)

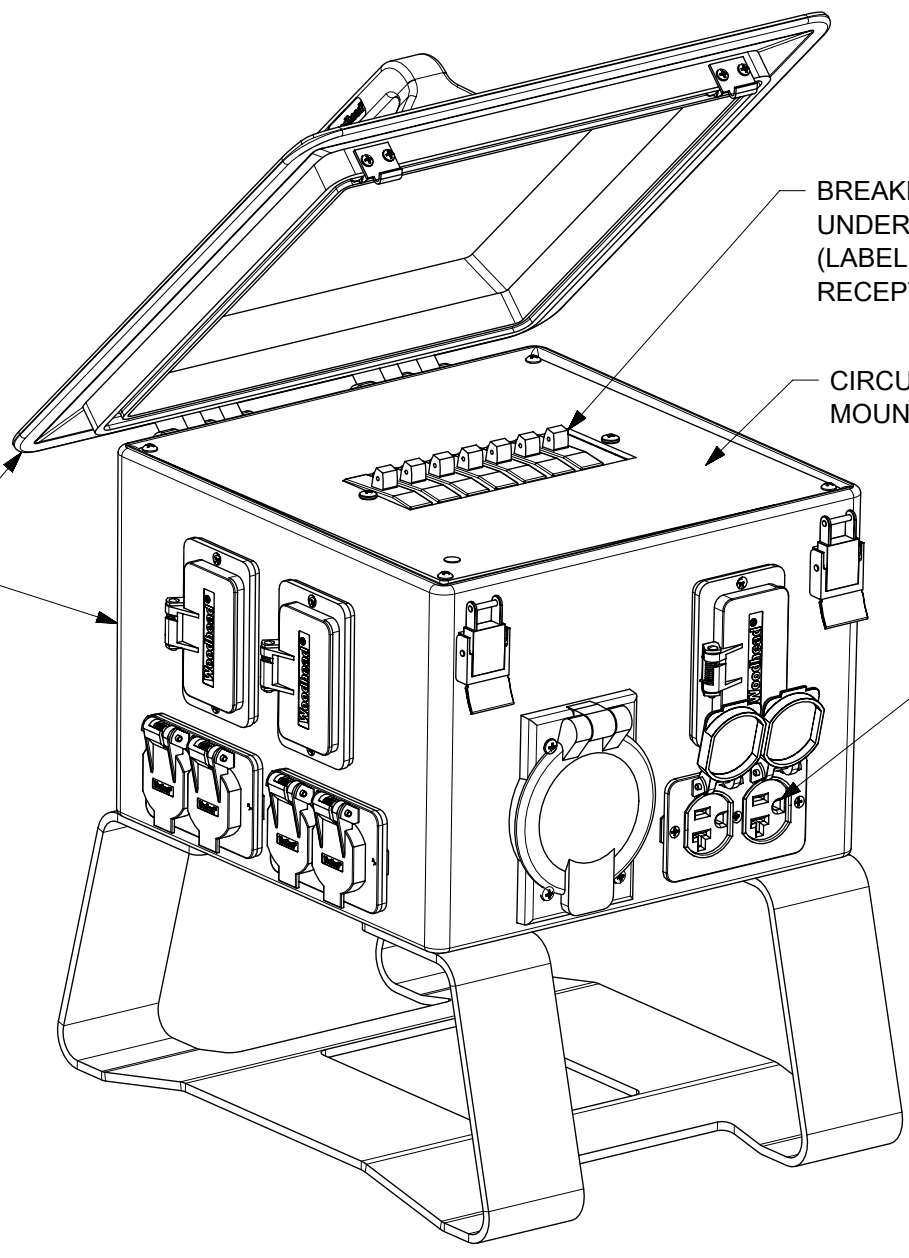
OUTPUT:
Qty(6) NEMA Straight Blade 5-20, 20A,
Single Phase (H,N,G), 2 Pole, 3 Wire,
125 VAC Duplex receptacles,
Panel Mount, GFCI Open-Neutral Protected
Weather-Resistant Type



CAUTION
LABEL

PRODUCT
IDENTIFICATION
LABEL

METAL BASE
(SEE CHART)



BREAKERS MOUNTED
UNDER HINGED COVER
(LABELED PER
RECEPTACLE #)

CIRCUIT BREAKER
MOUNTING PLATE

RUBBER
(SEE CHART)

RECEPTACLE FACE
COLOR-CODED
PER HOT WIRE
(SEE CHART)

RECEPTACLE #	FACE COLOR
1	BLACK
2	RED
3	BLACK
4	RED
5	BLACK
6	RED

NOTES:

- cULus Listed Portable Power Distribution Unit
- Rating: 50A, Single Phase (H,H,N,G), 3 Pole, 4 Wire 125/250 VAC
- Input: Qty(1) 50A, California Style Locking Inlet, Single Phase (H,H,N,G), 3 Pole, 4 Wire, 125/250 VAC, Panel Mount (Not GFCI Protected)
- Output:
 - Qty(6) NEMA Straight Blade, 20A, 5-20, Single Phase (H,N,G), 2 Pole, 3 Wire, 125 VAC Duplex receptacles, Panel Mount GFCI Open-Neutral Protected, Weather-Resistant Type
 - Qty(1) NEMA L6-30, 30A, Single Phase (H,H,G), 2 Pole, 3 Wire, 250 VAC Locking receptacle, Panel Mount (Not GFCI Protected)
- Main Breaker: None
- Feed Thru: Yes, Qty(1) 50A, California Style Locking Receptacle, Single Phase (H,H,N,G), 3 Pole, 4 Wire, 125/250 VAC, Panel Mount (Not GFCI Protected)
- Overcurrent Protection:
 - Qty(6) 20A, 1 Pole branch-rated circuit breakers
 - Qty(1) 30A, 2 Pole branch-rated circuit breaker
- Environmental Rating: NEMA Type 3R Rainproof (when all cover plates and hinged lid cover closed)
- Box Style: Rubber, Hinged
- Dimensions: 14.25" L x 14.25" W x 17.5" H
- Approximate Weight: 29 lbs
- See Sheet 2 for Wiring Schematic
- For User Manual: See document P/N# 1301380126_USR_MAN
- Woodhead Engineering No.: SEE CHART
- Temperature Rating:
 - Operating: -21° to +135°F (-29° to +57°C)
 - Storage: -40° to +160°F (-40° to +71°C)

PART NUMBER	Woodhead® ENGINEERING NUMBER	RUBBER & METAL BASE COLOR	MINIMUM ORDER QUANTITY (MOQ)
1301380126	DY5-6E1H	YELLOW	1
1301380177	DB5-6E1H	BLACK	1
1301380179	DY5-6E1H-BP	YELLOW	1 unit = 25 pcs of 1301380126
1301380181	DB5-6E1H-BP	BLACK	1 unit = 25 pcs of 1301380177

THIS DRAWING CONTAINS INFORMATION THAT IS PROPRIETARY TO MOLEX ELECTRONIC TECHNOLOGIES, LLC AND SHOULD NOT BE USED WITHOUT WRITTEN PERMISSION

DIMENSION UNITS	SCALE	CURRENT REV	DESC: UPDATE QTY IN CHART
INCH	NTS		
GENERAL TOLERANCES (UNLESS SPECIFIED)			
ANGULAR TOL	±		
4 PLACES	±		
3 PLACES	±		
2 PLACES	±		
1 PLACE	±		
0 PLACES	±		
DRAFT WHERE APPLICABLE MUST REMAIN WITHIN DIMENSIONS		THIRD ANGLE PROJECTION	DRAWING SERIES
		C-SIZE	130138

molex

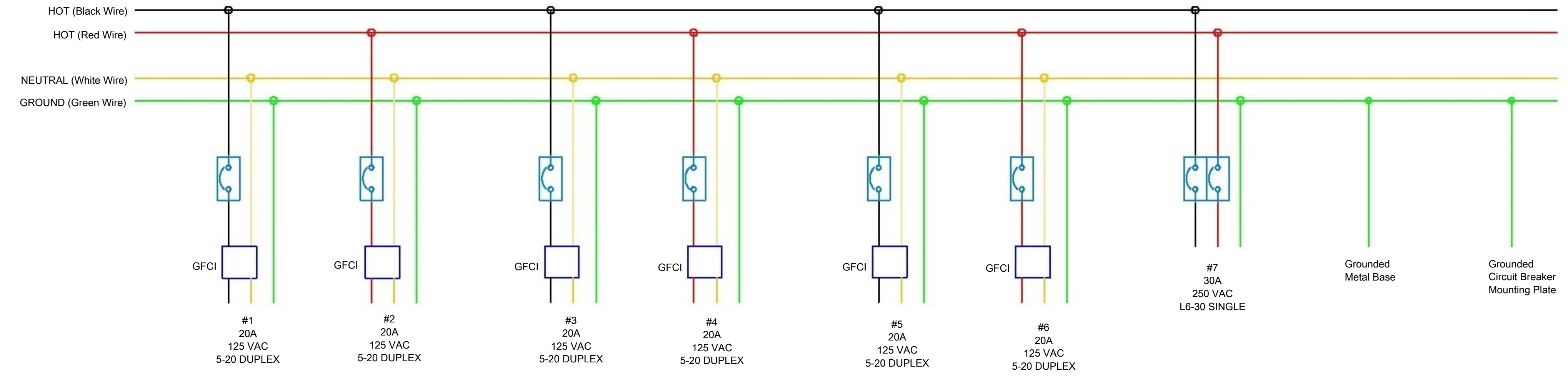
PORTABLE PWR DIST BOX, 50A RATING
IN:50A CALI LOCKING; OUT:(6)20A NEMA 5-20 &
(1)30A NEMA L6-30

PRODUCT CUSTOMER DRAWING

DOCUMENT NUMBER	DOC TYPE	DOC PART	REVISION
1301380126	PSD	000	E1
MATERIAL NUMBER	CUSTOMER	SHEET NUMBER	
SEE CHART		1 OF 2	

INPUT: California Style, 50A,
Single Phase (H,H,N,G),
125/250VAC, Panel Mount

FEED
THRU



THIS DRAWING CONTAINS INFORMATION THAT IS PROPRIETARY TO MOLEX ELECTRONIC TECHNOLOGIES, LLC AND SHOULD NOT BE USED WITHOUT WRITTEN PERMISSION

DIMENSION UNITS		SCALE		CURRENT REV DESC: UPDATE QTY IN CHART											
INCH		NTS													
GENERAL TOLERANCES (UNLESS SPECIFIED)				EC NO: 175572				PORTABLE PWR DIST BOX, 50A RATING IN:50A CALI LOCKING; OUT:(6)20A NEMA 5-20 & (1)30A NEMA L6-30							
ANGULAR TOL ± °				DRWN: WLEUNG 2018/04/25											
4 PLACES ±				CHK'D: DNGUYEN62 2018/04/25											
3 PLACES ±				APPR: BRUPERT 2018/04/26				PRODUCT CUSTOMER DRAWING							
2 PLACES ±				INITIAL REVISION:				DOCUMENT NUMBER		DOC TYPE		DOC PART		REVISION	
1 PLACE ±				DRWN: WLEUNG 2016/07/14				1301380126		PSD		000		E1	
0 PLACES ±				APPR: JFMURPHY 2017/02/18				MATERIAL NUMBER		CUSTOMER		SHEET NUMBER			
DRAFT WHERE APPLICABLE MUST REMAIN WITHIN DIMENSIONS				THIRD ANGLE PROJECTION		DRAWING		SERIES		SEE CHART		130138		2 OF 2	

DOCUMENT STATUS	P1	RELEASE DATE	2018/04/26	13:37:59
-----------------	----	--------------	------------	----------