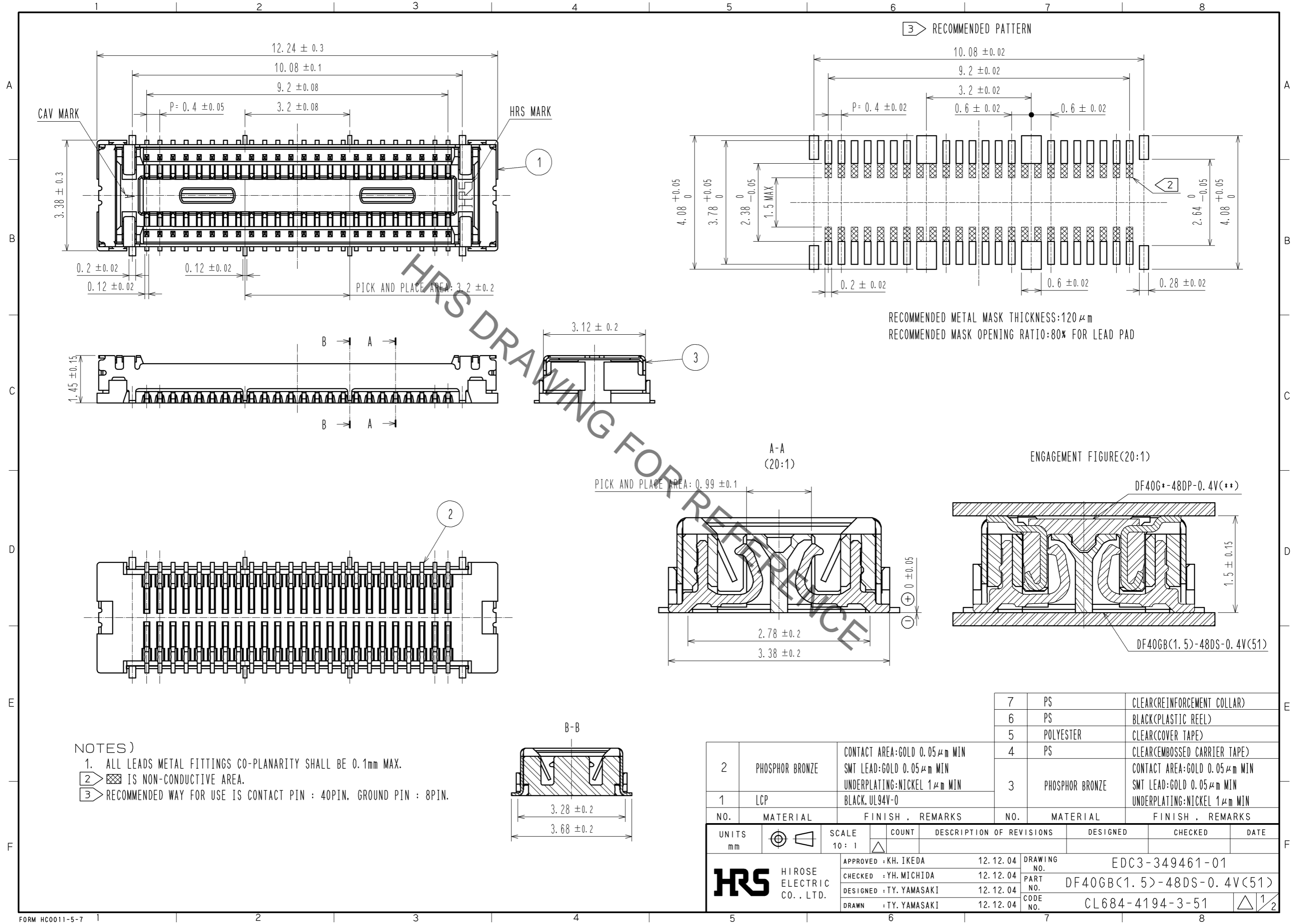


May.1.2023 Copyright 2023 HIROSE ELECTRIC CO., LTD. All Rights Reserved.  
In case of consideration for using Automotive equipment / device which demand high reliability, kindly contact our sales window correspondents.



NO.	MATERIAL	FINISH .	REMARKS	NO.	MATERIAL	FINISH .	REMARKS
2	PHOSPHOR BRONZE		CONTACT AREA:GOLD 0.05 μm MIN SMT LEAD:GOLD 0.05 μm MIN UNDERPLATING:NICKEL 1 μm MIN	7	PS		CLEAR(REINFORCEMENT COLLAR)
1	LCP		BLACK, UL94V-0	6	PS		BLACK(PLASTIC REEL)
				5	POLYESTER		CLEAR(COVER TAPE)
				4	PS		CLEAR(EMBOSSED CARRIER TAPE)
				3	PHOSPHOR BRONZE		CONTACT AREA:GOLD 0.05 μm MIN SMT LEAD:GOLD 0.05 μm MIN UNDERPLATING:NICKEL 1 μm MIN

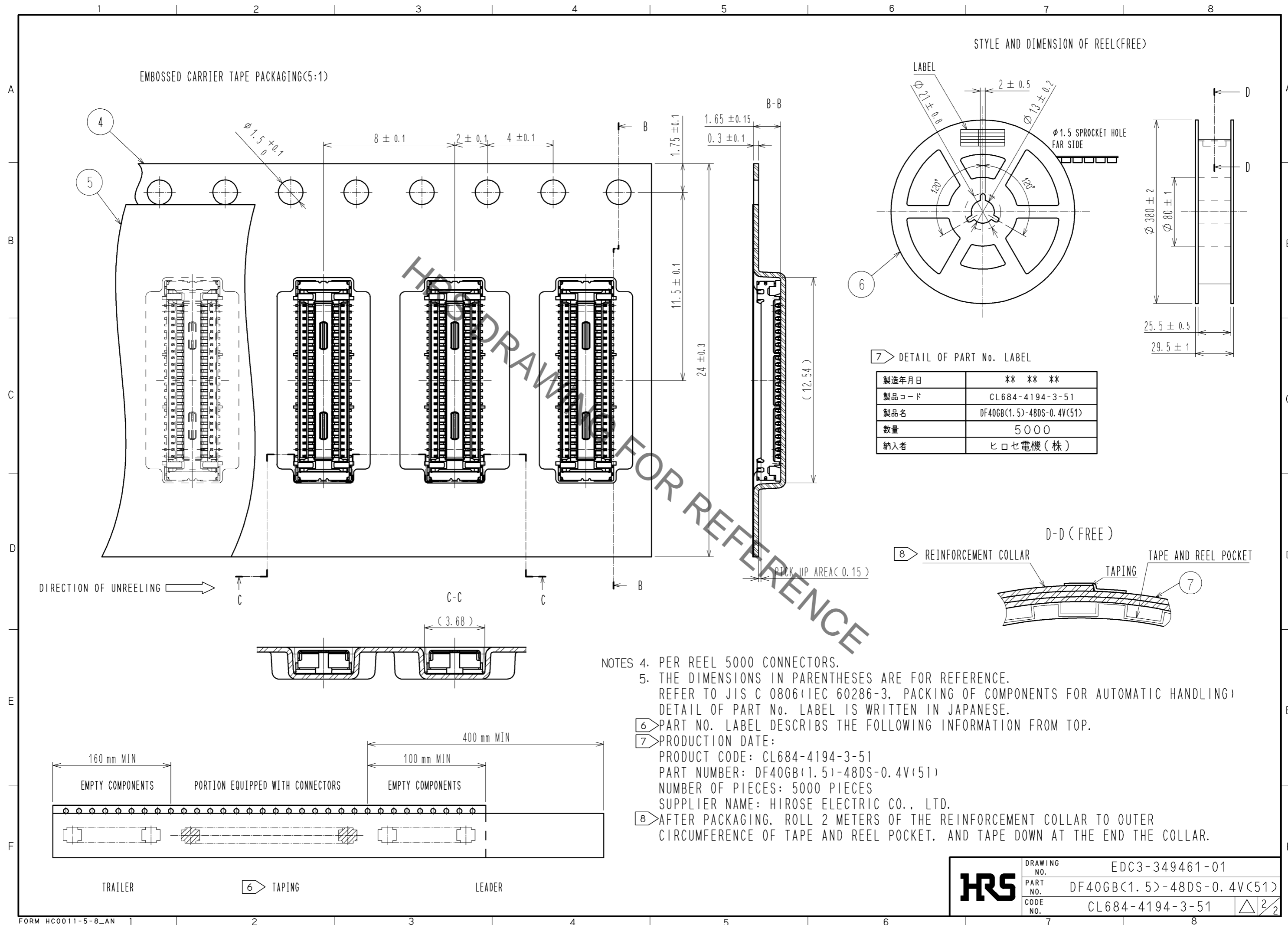
  

UNITS	SCALE	COUNT	DESCRIPTION OF REVISIONS	DESIGNED	CHECKED	DATE
mm	10:1	△	APPROVED : KH. IKEDA 12.12.04			
			CHECKED : YH. MICHIDA 12.12.04			
			DESIGNED : TY. YAMASAKI 12.12.04			
			DRAWN : TY. YAMASAKI 12.12.04			

DRAWING NO.	EDC3-349461-01	
PART NO.	DF40GB(1.5)-48DS-0.4V(51)	
CODE NO.	CL684-4194-3-51	△ 1/2

May.1.2023 Copyright 2023 HIROSE ELECTRIC CO., LTD. All Rights Reserved.  
 In case of consideration for using Automotive equipment / device which demand high reliability, kindly contact our sales window correspondents.



6 TAPING

<b>HRS</b>	DRAWING NO.	EDC3-349461-01	
	PART NO.	DF40GB(1.5)-48DS-0.4V(51)	
	CODE NO.	CL684-4194-3-51	△ 2/2