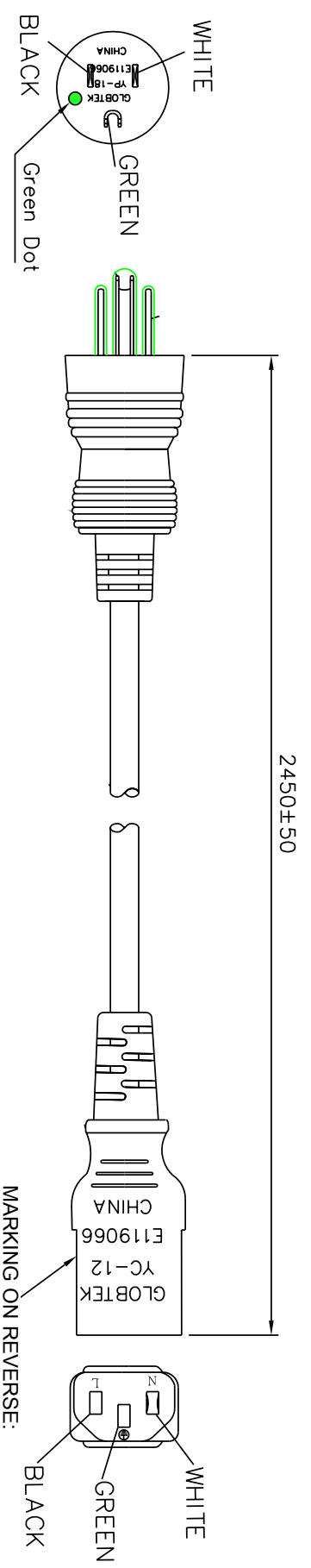


PROPRIETARY INFORMATION: PROPRIETARY OF GLOBTEK, INC. ANY REPRODUCTION, DISCLOSURE OR USE OF THIS DRAWING IN WHOLE OR IN PART IS HEREBY PROHIBITED EXCEPT AS SPECIFIED IN WRITING BY GLOBTEK, INC.		REVISION	
REV	DESCRIPTION	DATE	APPROVED
A	INITIAL RELEASE, RFS.3535, BS	04/22/04	ES



GENERAL SPECIFICATIONS:

- RATING:** 10A / 125V AC
- CABLE TYPE / SIZE:** SJT, 18 AWG X 3C, BLACK
- TEMPERATURE RATING:** 60° C
- CONDUCTOR COLORS:** BLACK / WHITE / GREEN
- CABLE JACKET COLOR:** BLACK
- OVERALL LENGTH (L):** 2450 ± 50 MM (8 Ft)
- CABLE OUTER DIAMETER:** 7.8 ± 0.1 MM
- END 'A' TERMINATION:** MEDICAL GRADE NEMA 5-15P, BLACK
- END 'B' TERMINATION:** IEC 320 / C13, BLACK
- APPROVALS PLUG:** UL, CSA or cUL
- APPROVALS CABLE:** UL, CSA or cUL

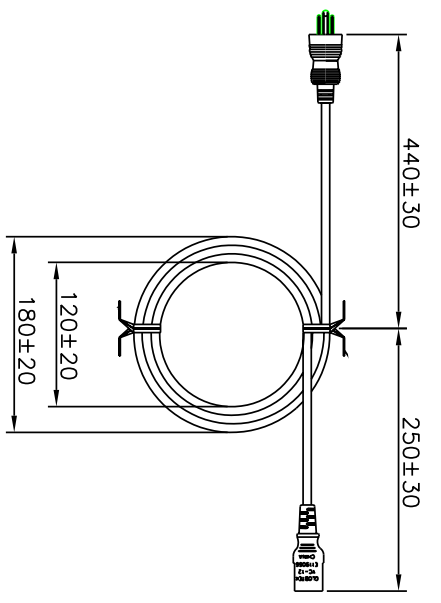
NOTES:

1. CORD, PLUG AND CONNECTOR MUST BE MARKED WITH APPROVAL SYMBOLS OR FILE NUMBER(S).



2. CORDSET COMPLIES WITH REQUIREMENTS OF CALIFORNIA PROPOSITION 65 REGARDING LEAD AND CADMIUM CONTENT.

**PACKING:
HANKING**



TABULATION BLOCK

DASH NO.	PART NO	REV.	DESCRIPTION	NOTES
REV. A				
SHEET 1				
INTT BY: BS	DATE: 04/22/04	MILLIMETERS .xx +/- .03 xxx +/- .013	ANGULAR +/- P	
DRAWN: NF	DATE: 04/22/04	FSCN NO.: G, CC, YL	SIZE: A	
APRVD: ES	DATE: 04/22/04	SCALE: NONE		
			GlobalTek, Inc. www.globaltek.com	
			DWG TITLE: MEDICAL GRADE NORTH AMERICAN DETACHABLE CORDSET	
			186 Veterans Dr. Northvale, NJ 07647 Tel 201-784-1000 Fax 201-784-0111	
			PART NO: 1191068F0701-LF	REV. A
				SHEET 1 / 1

Foot Note:
Globtek Inc. will not be liable for the safety and performance of these power product if unauthorized access and repair occurs. End user should consult the applicable UL, CSA or EN Standards for proper installation instruction.

Limitation of Use:
Globtek product are not authorized for use as mission critical components in life support, hazardous environment, nuclear or aircraft applications without prior written approval from the CEO of Globtek Inc.

Contents of this document are subject to change without prior notice