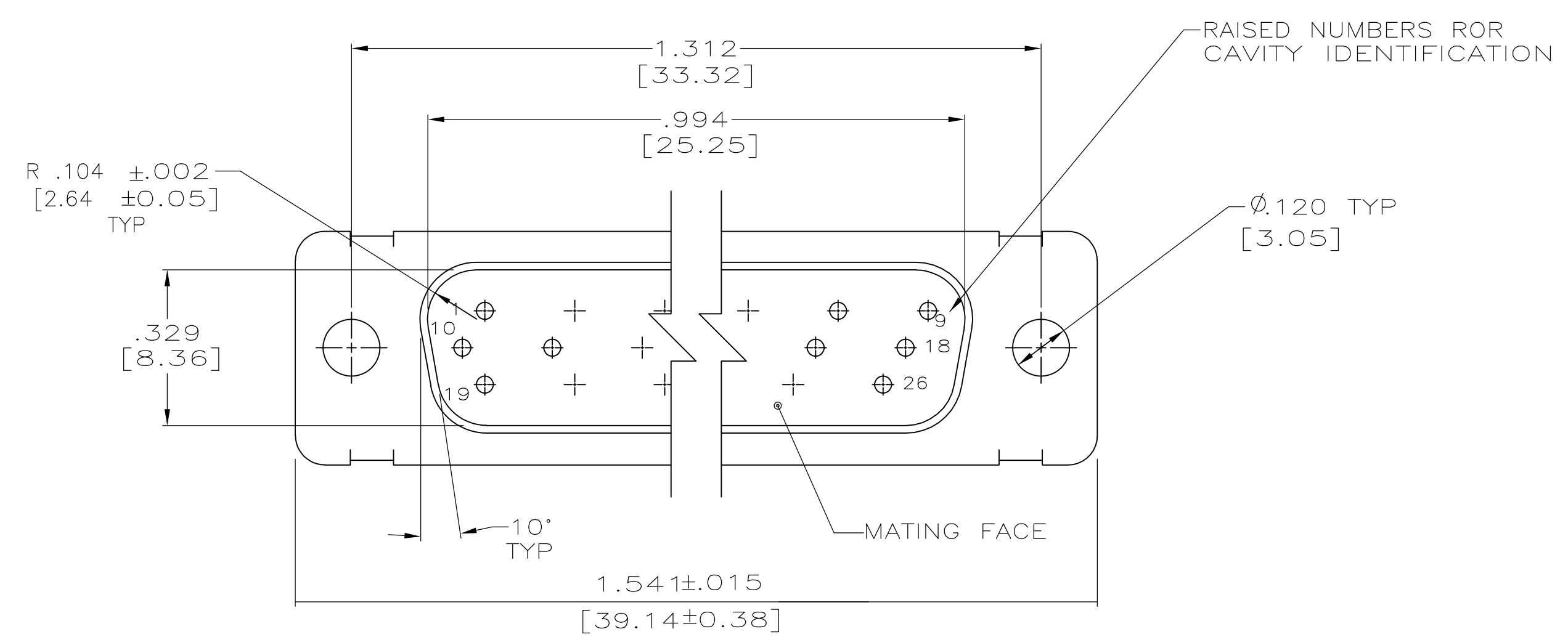
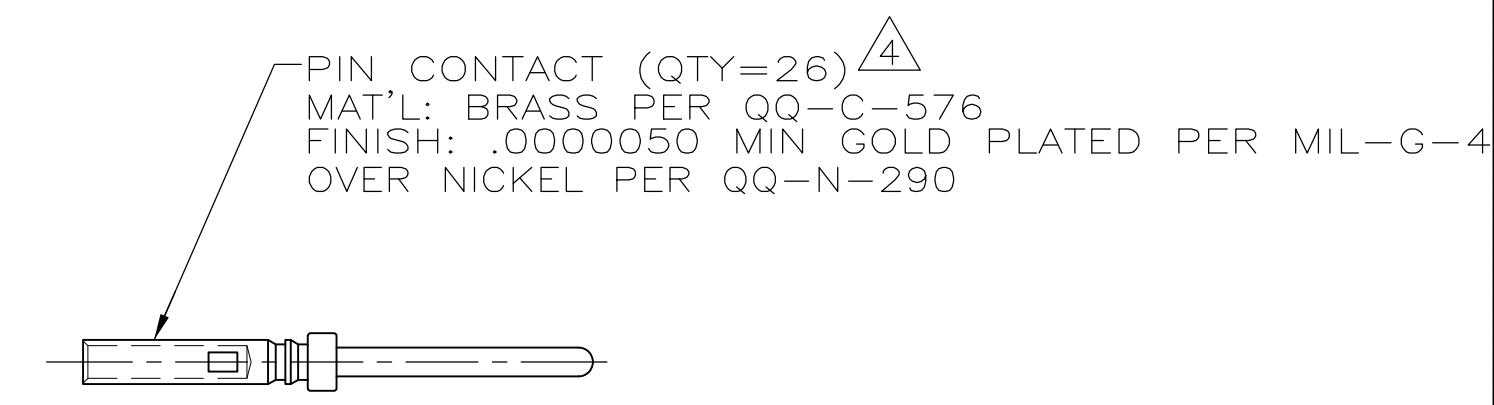
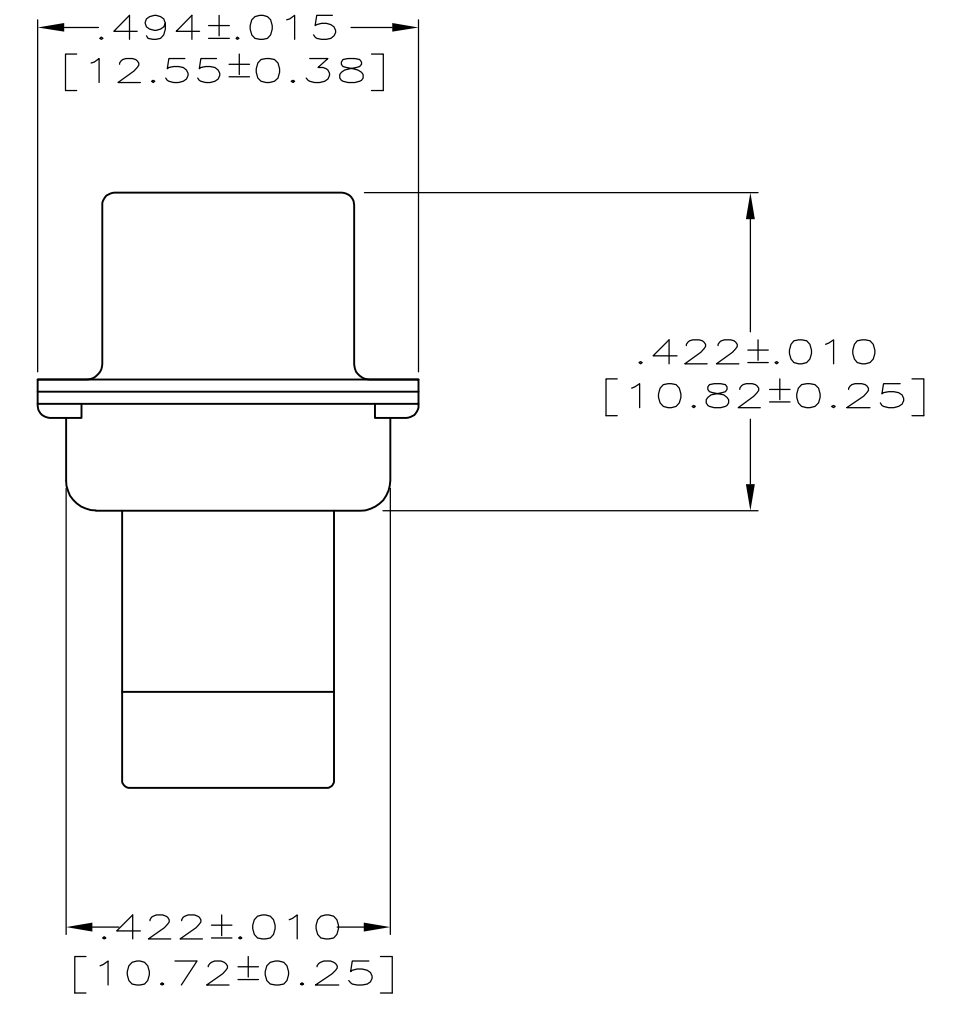
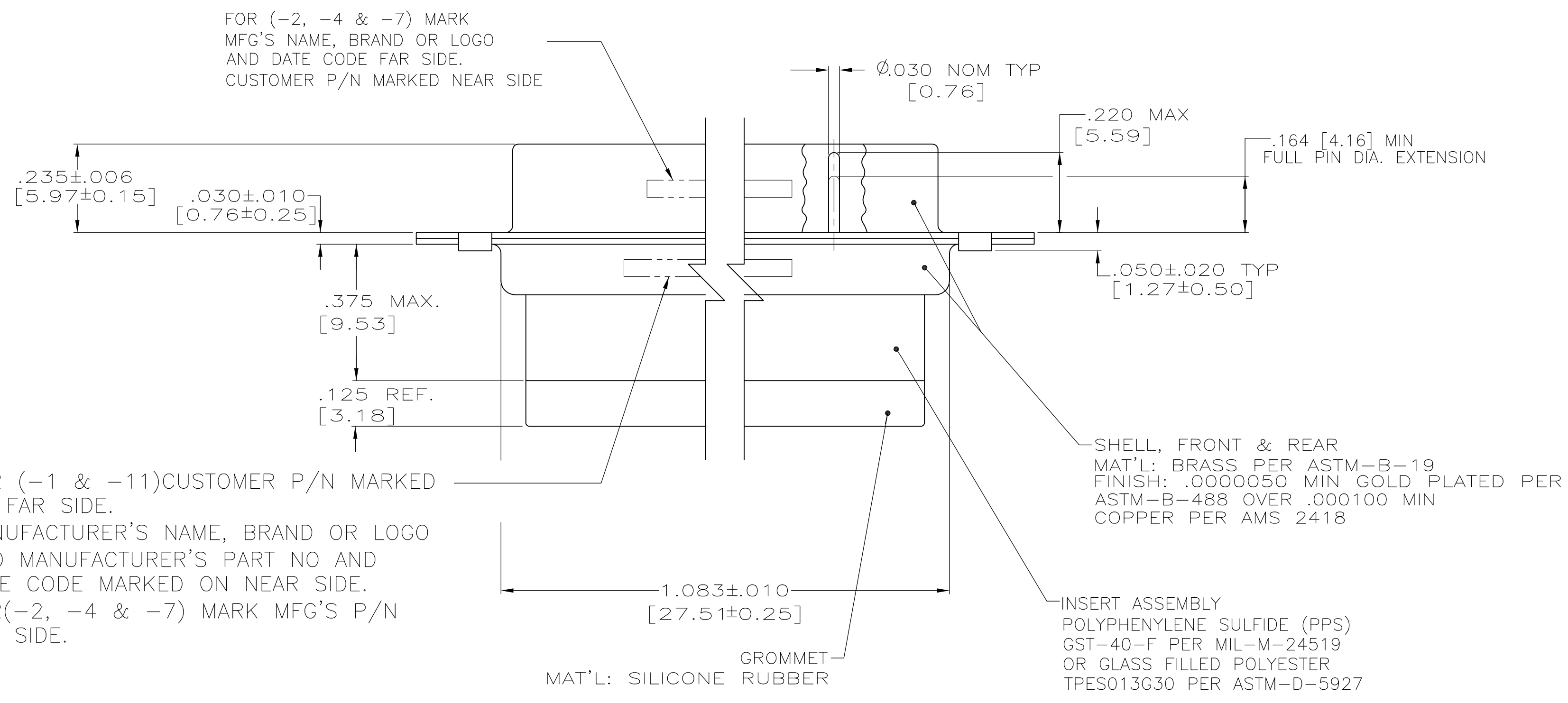


LOC	DIST	REVISIONS			
DF	DO	REV	DESCRIPTION	DATE	BY
N	REVISED PER ECO-13-011791			22AUG13	MGM CT



- THIS PLUG WILL MATE WITH ANY SIZE 2, 26 POSN. RCPT. IN AMPLIMITE SERIES.
 - CONNECTOR SUPPLIED WITHOUT CONTACTS; SHOWN FOR ILLUSTRATION ONLY.
 - BE-CU RETENTION CLIPS ARE INCLUDED AND INSTALLED WITH TINES POINTING TOWARDS MATING FACE.
 - ONLY PART NO. 211674-7 IS SUPPLIED WITH CONTACTS.
 - OVERALL DIMENSIONS DO NOT INCLUDE RAISED CAVITY IDENTIFICATION.
 - MARKING ON FAR SIDE REFERS TO WIDE SIDE OF KEYSTONE. NEAR SIDE REFERS TO NARROW SIDE OF KEYSTONE.
- ⚠ 100% INSPECTION REQUIRED PER BOEING 1B01:
 A. VISUAL
 B. DWV
 C. IR
- ⚠ CUSTOMER REQUIRES SINGLE LOT DATE CODE.
- ⚠ SPECIAL REQUIREMENTS:
 A. TEST TWO CONNECTORS PER LOT FOR COMPLIANCE TO GROMMET PEEL STRENGTH REQUIREMENTS.
 B. TEST ALL CIRCUIT CAVITIES FOR MISALIGNMENT OR EXCESSIVE ADHESIVE.



REMARKS	CUSTOMER PART NO.	PART NO.
⚠	1B01-032PHW	1-211674-1
⚠	B010648-0003	211674-7
-	-	211674-4
⚠	2A065-014V-001	211674-2
⚠	1B01-032	211674-1

THIS DRAWING IS A CONTROLLED DOCUMENT.

DIMENSIONS: INCHES (mm)
 TOLERANCES UNLESS OTHERWISE SPECIFIED:
 0 PLC ± -
 1 PLC ± -
 2 PLC ± -
 3 PLC ± .005 [0.13]
 4 PLC ± -
 ANGLES ± -

MATERIAL: SEE CALLOUTS
 FINISH: SEE CALLOUTS

DWG: C.C. THOMAS 12-19-90
 CHK: F. KINSEY 12-20-90
 APP'D: F. KINSEY 12-20-90
 NAME: PLUG ASSY, AMPLIMITE, 26 POSN., SIZE 2, SERIES 90, NON-MAGNETIC WITH GROMMET
 SIZE: A1
 CAGE CODE: 00779
 DRAWING NO: 211674
 WEIGHT: -
 CUSTOMER DRAWING: -
 SCALE: 4:1
 SHEET: 1 OF 1
 REV: N

STE TE Connectivity