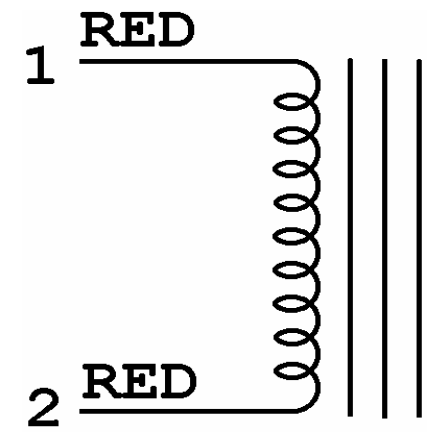
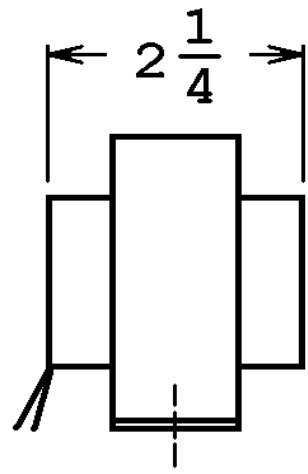
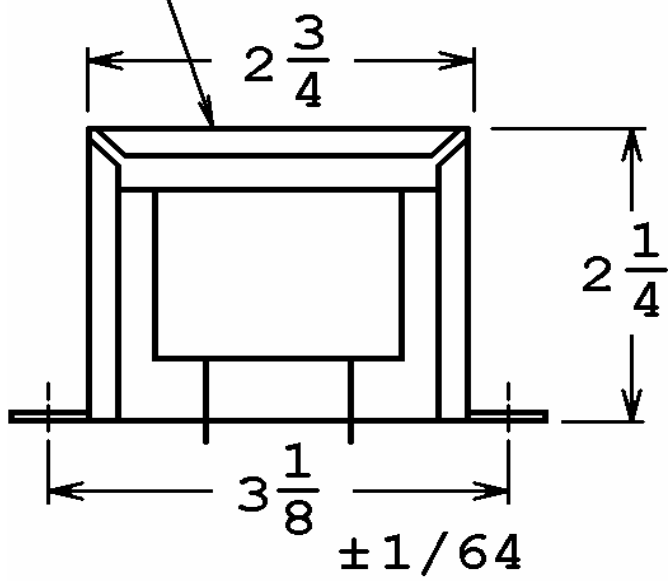


This drawing is the property of Magnetic Components, Inc. and shall not be reproduced, in whole or in part, without the written permission of Magnetic Components, Inc.

REVISIONS			
LTR	DESCRIPTION	DATE	APPROVED

Classic Tone™
By Magnetic Components, Inc.
40-18059
166-DATE
MADE IN U.S.A.



20Hy @ 70mA DC
690 Ω

DRAWING No. :
OOA-85366
DIV :
LOC : SCHILLER PK

UNLESS OTHERWISE SPECIFIED
ALL DIMENSIONS IN INCHES
DO NOT SCALE DRAWING
FRACTIONS +/-
.X = +/-
.XX = +/-
.XXX = +/-
ANGLES = +/-

SIGNATURES	DATE
DRAWN : <i>MJF</i>	26 JAN 11
CHECK :	
APPR : <i>M. Lakota</i>	26 JAN 11

MAGNETIC COMPONENTS, INC.		TITLE		REV	
		20 Hy MARSHALL CHOKE			
CAGE	50508	SIZE	PART No.		
SCALE	NONE	A	40-18059		
				SHEET :	