

GlobTek, Inc. www.globtek.com 186 Veterans Drive, Northvale, NJ 07647 Tel. (201) 784-1000 Fax (201) 784-0111	Drawing Title: GTD83050-0505, DC/DC Switching Power Supply, Efficiency Level: , Case Color/Style: GlobTek Black, Vehicle/Car DC/DC Converter, DC-DC Non-Isolated, Input Rating: 12-24 Vdc, Male Cigarette Lighter Plug , Output Rating: 5W, 5.0V@1.0A, Output Configuration: 4000 mm, 20/2 Cond, UL 2468, Mini-B USB 5 Pin Type "B" or Equal, Ferrite: None, GlobTek Black, GT Cord # C28283, Pin Out: Pin 1: +V, Pin 2,3,4: N/C, Pin 5:-V, Blades/Input Cord: (Order Separately), Approvals: CE; EAC; Ukraine; WEEE; RoHS; PSE; China RoHS; VCCI; ETL 62368;	
	Model No. GTD83050-0505	
	Part No./Ordering No. GTDJ1000USB-F(R6B)	Rev A1

In Addition to GlobTek Inc.'s renewed ISO9001:2015 - Quality Management System Certification, GlobTek Inc. is now certified to:

ISO13485:2016 - Medical Devices Quality Management System Certification

ISO14001:2015 - Environmental Management System Certification

ISO Certificates are available online at <https://www.globtek.com/iso-certificates/>

The acceptance of this specification and use of the product described in this document indicates the acceptance and binding of the customer to Globtek TERMS AND CONDITIONS (attached to the end of this document), which supersede all other agreements, terms, and conditions (<https://en.globtek.com/terms-and-conditions/>).

The purchaser of this product (Customer) agrees that it is their sole responsibility to determine suitability/fitness of the product described in this specification for their application and to take precautions for protection against any hazards attendant to the handling and use of the product.

Footnote:

GlobTek Inc. will not be liable for the safety and performance of these power supplies/battery packs if unauthorized access and repair occurs. End user should consult applicable UL, CSA or EN standards for proper installation instruction.

Limitation of Use:

GlobTek products are intended for use with commercial, medical, and/or industrial equipment only. GlobTek product are not authorized for use as mission critical components in life support hazardous environment, nuclear or aircraft applications without prior written approval from the CEO of GlobTek Inc.

Contents of this document are subject to change without prior notice.

Customer Approval of Specification:

Please approve, sign and send back to GlobTek so we can complete order processing.

A delay in receipt of this form will delay delivery schedule.

Company Name: _____	Customer P/N: _____
Quote Number: _____	Date: _____
Authorized Representative Name: _____	Authorized Representative Signature: _____

GlobTek, Inc. www.globtek.com 186 Veterans Drive, Northvale, NJ 07647 Tel. (201) 784-1000 Fax (201) 784-0111	Drawing Title: GTD83050-0505, DC/DC Switching Power Supply, Efficiency Level: , Case Color/Style: GlobTek Black, Vehicle/Car DC/DC Converter, DC-DC Non-Isolated, Input Rating: 12-24 Vdc, Male Cigarette Lighter Plug , Output Rating: 5W, 5.0V@1.0A, Output Configuration: 4000 mm, 20/2 Cond, UL 2468, Mini-B USB 5 Pin Type "B" or Equal, Ferrite: None, GlobTek Black, GT Cord # C28283, Pin Out: Pin 1: +V, Pin 2,3,4: N/C, Pin 5:-V, Blades/Input Cord: (Order Separately), Approvals: CE; EAC; Ukraine; WEEE; RoHS; PSE; China RoHS; VCCI; ETL 62368;	
	Model No. GTD83050-0505	
	Part No./Ordering No. GTDJ1000USB-F(R6B)	Rev A1

REVISION HISTORY

REV	DESCRIPTION	SUB	DATE	APPROVED
A1	Update engineering specification	QA	06/18/2020	QA
A	Initial release	QA	10/22/2018	QA

POWER SUPPLY INFORMATION

TYPE	Vehicle/Car DC/DC Converter
TECHNOLOGY	DC-DC Non-Isolated
CASE COLOR	GlobTek Black
NAMEPLATE RATED INPUT	12-24 Vdc, 1A max
INPUT CONFIG	Male Cigarette Lighter Plug
WATTS	5.00
VOLTS OUT	5.0
CURRENT OUT (Amps)	1.0
BLADE/CORD INCLUDED	None (Order Separately)
BLADE/CORD INSTALLED	None :(Order Separately)
INGRESS PROTECTION	
GROUNDING CONFIGURATION	(E2) Class II, FE, earthed output
EFFICIENCY LEVEL	
OUTPUT CONFIGURATION	4000 mm, 20/2 Cond, UL 2468, Mini-B USB 5 Pin Type "B" or Equal, Ferrite: None, GlobTek Black, GT Cord # C28283
OVERMOLDED	Yes
OUTPUT CONNECTOR GENDER	Male
CONNECTOR PIN OUT	Pin 1: +V, Pin 2,3,4: N/C, Pin 5:-V
LABEL SPECS	Standard GT,L-1186
SPECIAL BARCODE LABEL MATERIAL	No
PACK SPEC	
USER MANUAL	

PROPRIETARY INFORMATION

GlobTek, Inc. www.globtek.com 186 Veterans Drive, Northvale, NJ 07647 Tel. (201) 784-1000 Fax (201) 784-0111	Drawing Title: GTD83050-0505, DC/DC Switching Power Supply, Efficiency Level: , Case Color/Style: GlobTek Black, Vehicle/Car DC/DC Converter, DC-DC Non-Isolated, Input Rating: 12-24 Vdc, Male Cigarette Lighter Plug , Output Rating: 5W, 5.0V@1.0A, Output Configuration: 4000 mm, 20/2 Cond, UL 2468, Mini-B USB 5 Pin Type "B" or Equal, Ferrite: None, GlobTek Black, GT Cord # C28283, Pin Out: Pin 1: +V, Pin 2,3,4: N/C, Pin 5:-V, Blades/Input Cord: (Order Separately), Approvals: CE; EAC; Ukraine; WEEE; RoHS; PSE; China RoHS; VCCI; ETL 62368;	
	Model No. GTD83050-0505	
	Part No./Ordering No. GTDJ1000USB-F(R6B)	Rev A1

Notes/Modifications/Customizations (notes in this section supersede the values shown in the standard spec)
DIMENSIONS ARE IN MM UNLESS SPECIFIED OTHERWISE

GlobTek, Inc. www.globtek.com 186 Veterans Drive, Northvale, NJ 07647 Tel. (201) 784-1000 Fax (201) 784-0111	Drawing Title: GTD83050-0505, DC/DC Switching Power Supply, Efficiency Level: , Case Color/Style: GlobTek Black, Vehicle/Car DC/DC Converter, DC-DC Non-Isolated, Input Rating: 12-24 Vdc, Male Cigarette Lighter Plug , Output Rating: 5W, 5.0V@1.0A, Output Configuration: 4000 mm, 20/2 Cond, UL 2468, Mini-B USB 5 Pin Type "B" or Equal, Ferrite: None, GlobTek Black, GT Cord # C28283, Pin Out: Pin 1: +V, Pin 2,3,4: N/C, Pin 5:-V, Blades/Input Cord: (Order Separately), Approvals: CE; EAC; Ukraine; WEEE; RoHS; PSE; China RoHS; VCCI; ETL 62368;	
	Model No. GTD83050-0505	
	Part No./Ordering No. GTDJ1000USB-F(R6B)	Rev A1

ELECTRICAL SPECIFICATIONS

INPUT VOLTAGE: 10-30VDC INPUT CURRENT: 1.0 A MAX OUTPUT VOLTAGE: + 5 V DC
OUTPUT CURRENT: 1 A, NO LOAD TO FULL LOAD, NO MINIMUM LOAD REQUIRED OUTPUT POWER (RATED): 5 WATTS MAX
OUTPUT RIPPLE (PEAK TO PEAK): 1% TYPICAL
OUTPUT REGULATION (LINE/LOAD): + 5 % FOR MAIN OUTPUT, MEASURED AT O/P CONNECTOR LINE REGULATION: + 0.5 % MAX AT FULL LOAD
TURN ON/ TURN OFF OVERTHOOT: 4% MAX 500uS MAX RECOVERY TIME FOR 25% STEP LOAD TURN-ON DELAY: 1 SEC MAX
EFFICIENCY: 70 % TYPICAL
SWITCHING FREQUENCY: 100 KHZ TYPICAL
OVER-VOLTAGE PROTECTION: AUTORECOVERY OVER-CURRENT / SHORT CIRCUIT: CURRENT LIMIT OTHER PROTECTION: INPUT FUSING
MTBF: 200,000 HOURS AT 25°C AMBIENT TEMPERATURE OPERATING TEMPERATURE: 0°C TO 40° C
STORAGE TEMPERATURE: -20°C TO 85° C HUMIDITY: 0% TO 90% RELATIVE HUMIDITY WEIGHT: 209 g
ROHS 2: COMPLIES WITH EU 2011/65/EU AND CHINA SJ/T 11363-2006

SAFETY APPROVALS (DESIGNED TO MEET): UL62368-1, UL60950-1, CUL 22.2# 60950-1, TUV EN60950-1

EMC, EMISSIONS: COMPLIES WITH RADIATED EMISSIONS REQUIREMENTS FROM CISPR22/EN55022 CLASS B AND FCC PART 15 CLASS B, WHEN TESTED WITH A RESISTIVE LOAD

EMC, IMMUNITY: COMPLIES WITH APPLICABLE REQUIREMENTS FROM EN50498, EN61000-4-2, EN61000-4-3 and EN61000-4-8

TO ADDRESS SYSTEM-LEVEL EMI CONCERNS, FERRITE CHOKES/BEADS MAY BE ADDED/REVISED UPON REQUEST. A SAMPLE KIT OF GLOBTEK'S STANDARD FERRITES IS AVAILABLE UNDER GLOBTEK P/N: EMI-MITIGATION-KIT1

FOR ADDITIONAL INFORMATION, PLEASE READ OUR WHITE PAPER AT:
<https://en.globtek.com/technical-articles/ferrite-kit-radiated-emi-suppression-kit-for-globtek-power-supplies-cable-assemblies>

PROPRIETARY INFORMATION

GlobTek, Inc.
www.globtek.com
186 Veterans Drive,
Northvale, NJ 07647
Tel. (201) 784-1000
Fax (201) 784-0111

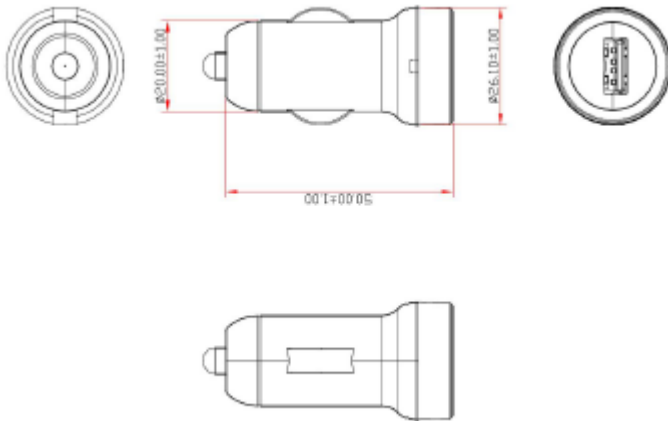
Drawing Title: GTD83050-0505, DC/DC Switching Power Supply, Efficiency Level: , Case Color/Style: GlobTek Black, Vehicle/Car DC/DC Converter, DC-DC Non-Isolated, Input Rating: 12-24 Vdc, Male Cigarette Lighter Plug , Output Rating: 5W, 5.0V@1.0A, Output Configuration: 4000 mm, 20/2 Cond, UL 2468, Mini-B USB 5 Pin Type "B" or Equal, Ferrite: None, GlobTek Black, GT Cord # C28283, Pin Out: Pin 1: +V, Pin 2,3,4: N/C, Pin 5:-V, Blades/Input Cord: (Order Separately), Approvals: CE; EAC; Ukraine; WEEE; RoHS; PSE; China RoHS; VCCI; ETL 62368;

Model No. GTD83050-0505

Part No./Ordering No. GTDJ1000USB-F(R6B)

Rev A1

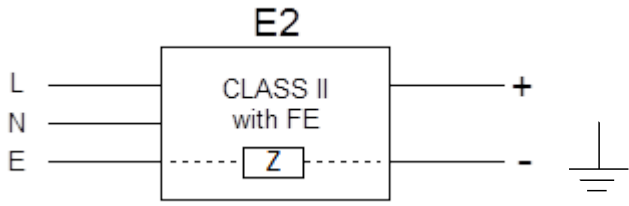
Mechanical drawing



GlobTek, Inc. www.globtek.com 186 Veterans Drive, Northvale, NJ 07647 Tel. (201) 784-1000 Fax (201) 784-0111	Drawing Title: GTD83050-0505, DC/DC Switching Power Supply, Efficiency Level: , Case Color/Style: GlobTek Black, Vehicle/Car DC/DC Converter, DC-DC Non-Isolated, Input Rating: 12-24 Vdc, Male Cigarette Lighter Plug , Output Rating: 5W, 5.0V@1.0A, Output Configuration: 4000 mm, 20/2 Cond, UL 2468, Mini-B USB 5 Pin Type "B" or Equal, Ferrite: None, GlobTek Black, GT Cord # C28283, Pin Out: Pin 1: +V, Pin 2,3,4: N/C, Pin 5:-V, Blades/Input Cord: (Order Separately), Approvals: CE; EAC; Ukraine; WEEE; RoHS; PSE; China RoHS; VCCI; ETL 62368;	
	Model No. GTD83050-0505	Part No./Ordering No. GTDJ1000USB-F(R6B)
		Rev A1

INPUT CONFIGURATION

(E2) Class II, FE, earthed output



[Alternate grounding configurations](#) available upon request.

Blades/Cord Included:None:(Order Separately)

Blades/Cord Installed:None:(Order Separately)

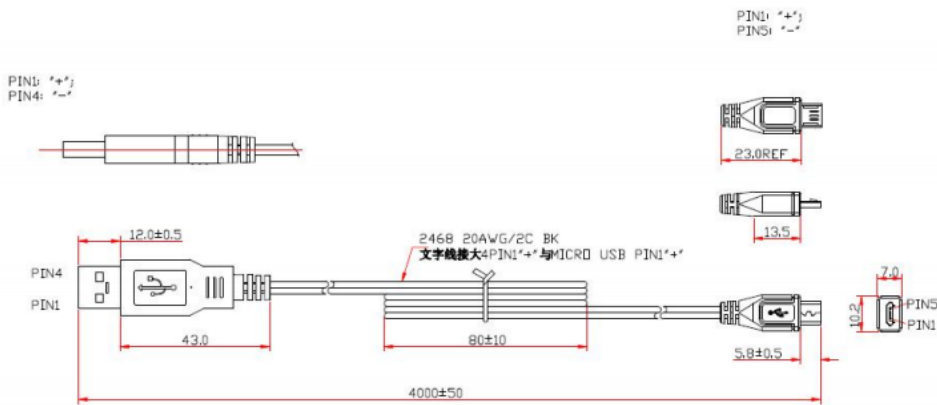
Male Cigarette Lighter Plug

GlobTek, Inc. www.globtek.com 186 Veterans Drive, Northvale, NJ 07647 Tel. (201) 784-1000 Fax (201) 784-0111	Drawing Title: GTD83050-0505, DC/DC Switching Power Supply, Efficiency Level: , Case Color/Style: GlobTek Black, Vehicle/Car DC/DC Converter, DC-DC Non-Isolated, Input Rating: 12-24 Vdc, Male Cigarette Lighter Plug , Output Rating: 5W, 5.0V@1.0A, Output Configuration: 4000 mm, 20/2 Cond, UL 2468, Mini-B USB 5 Pin Type "B" or Equal, Ferrite: None, GlobTek Black, GT Cord # C28283, Pin Out: Pin 1: +V, Pin 2,3,4: N/C, Pin 5:-V, Blades/Input Cord: (Order Separately), Approvals: CE; EAC; Ukraine; WEEE; RoHS; PSE; China RoHS; VCCI; ETL 62368;	
	Model No. GTD83050-0505	Rev A1
Part No./Ordering No. GTDJ1000USB-F(R6B)		

OUTPUT CORD AND CONNECTOR: USB3/C28283

ACTUAL CONNECTORS, OVERMOLDS, FERRITES MAY VARY SLIGHTLY FROM THE PICTURE BELOW

CABLE TYPE	UL 2468
CABLE LENGTH (mm)	4000
CABLE TOLERANCE (mm)	+150,-0
WIRE GAUGE (AWG)	20
CONDUCTORS	2
HANK DIMENSION (mm)	80 +10 -10
CABLE / CONNECTOR OVERMOLD COLOR	GlobTek Black
FERRITE TYPE AND DIMENSION	None
FERRITE NUMBER OF TURNS(Definition)	N/A
FERRITE DIMENSION FROM STRAIN RELIEF	N/A
FERRITE DIMENSION FROM PLUG	N/A
PLUG TYPE	Mini-B USB 5 Pin Type "B" or Equal
OUTPUT CONNECTOR GENDER	Male
OVERMOLDED	Yes
OVER MOLD ORIENTATION	Straight
CONNECTOR PIN OUT	Pin 1: +V, Pin 2,3,4: N/C, Pin 5:-V



ADDITIONAL OUTPUT PLUG OPTIONS ARE AVAILABLE AT <https://www.globtek.com/connectors/>
STANDARD PLUGS AND CONNECTORS CAN BE SEEN ONLINE AT <https://www.globtek.com/connectors/>
CALCULATE VOLTAGE REGULATION/DROP WITH OUR ONLINE CALCULATOR: <https://en.globtek.com/output-cable-regulation-calculator/>

GlobTek, Inc. www.globtek.com 186 Veterans Drive, Northvale, NJ 07647 Tel. (201) 784-1000 Fax (201) 784-0111	Drawing Title: GTD83050-0505, DC/DC Switching Power Supply, Efficiency Level: , Case Color/Style: GlobTek Black, Vehicle/Car DC/DC Converter, DC-DC Non-Isolated, Input Rating: 12-24 Vdc, Male Cigarette Lighter Plug , Output Rating: 5W, 5.0V@1.0A, Output Configuration: 4000 mm, 20/2 Cond, UL 2468, Mini-B USB 5 Pin Type "B" or Equal, Ferrite: None, GlobTek Black, GT Cord # C28283, Pin Out: Pin 1: +V, Pin 2,3,4: N/C, Pin 5:-V, Blades/Input Cord: (Order Separately), Approvals: CE; EAC; Ukraine; WEEE; RoHS; PSE; China RoHS; VCCI; ETL 62368;	
	Model No. GTD83050-0505	
	Part No./Ordering No. GTDJ1000USB-F(R6B)	Rev A1

OUTPUT CONNECTOR HOOK UP

TO ADDRESS SYSTEM-LEVEL EMI CONCERNS, FERRITE CHOKES/BEADS MAY BE ADDED/REVISED UPON REQUEST. A SAMPLE KIT OF GLOBTEK'S STANDARD FERRITES IS AVAILABLE UNDER GLOBTEK P/N: EMI-MITIGATION-KIT1

FOR ADDITIONAL INFORMATION, PLEASE READ OUR WHITE PAPER AT:

<https://en.globtek.com/technical-articles/ferrite-kit-radiated-emi-suppression-kit-for-globtek-power-supplies-cable-assemblies>

GlobTek, Inc. www.globtek.com 186 Veterans Drive, Northvale, NJ 07647 Tel. (201) 784-1000 Fax (201) 784-0111	Drawing Title: GTD83050-0505, DC/DC Switching Power Supply, Efficiency Level: , Case Color/Style: GlobTek Black, Vehicle/Car DC/DC Converter, DC-DC Non-Isolated, Input Rating: 12-24 Vdc, Male Cigarette Lighter Plug , Output Rating: 5W, 5.0V@1.0A, Output Configuration: 4000 mm, 20/2 Cond, UL 2468, Mini-B USB 5 Pin Type "B" or Equal, Ferrite: None, GlobTek Black, GT Cord # C28283, Pin Out: Pin 1: +V, Pin 2,3,4: N/C, Pin 5:-V, Blades/Input Cord: (Order Separately), Approvals: CE; EAC; Ukraine; WEEE; RoHS; PSE; China RoHS; VCCI; ETL 62368;	
	Model No. GTD83050-0505	Part No./Ordering No. GTDJ1000USB-F(R6B)
		Rev A1


LABEL:L-1186

LABEL P/N	Standard GT
MATERIAL	Flat Thermal Transfer, Imprintable, Polyester Label and/or Pad Printed and/or Molded, and/or Laser Engraved in the case
BACKGROUND COLOR	Black if housing is Black, White or Silver if housing is White or Gray.
TEXT COLOR	White or Silver if label is Black Background for Black housing. Black if label is White or Silver background and Housing is White or Gray.
LABEL WIDTH (mm)	36
LABEL HEIGHT (mm)	85
SPECIAL BARCODE LABEL MATERIAL	No

Below is the minimum information which will appear on the label. NOTE: in the logo area additional/actual positioning of symbols and text is subjected to change as per agency updates/requirements or additional model approvals become available.
 Regulatory certifications/label markings may be in logo area on the label or molded into the case housing outside the label area.
 Information will be shown via label and/or pad printed and/or molded and/or laser engraved in the case. * Date code markings at GlobTek option



or
DATE CODE B *
 WWYY
 WW = WEEK
 YY = YEAR

- A=DC/DC Switching Power Supply
- B=P/N: (料号) GTDJ1000USB-F(R6B)
- C=Model (型号) GTD83050-0505
- D=Input (输入) 12-24 Vdc, 1A max
- E=Output (输出) 5.0 V  1.0 A, 5.00W

GlobTek, Inc. www.globtek.com 186 Veterans Drive, Northvale, NJ 07647 Tel. (201) 784-1000 Fax (201) 784-0111	Drawing Title: GTD83050-0505, DC/DC Switching Power Supply, Efficiency Level: , Case Color/Style: GlobTek Black, Vehicle/Car DC/DC Converter, DC-DC Non-Isolated, Input Rating: 12-24 Vdc, Male Cigarette Lighter Plug , Output Rating: 5W, 5.0V@1.0A, Output Configuration: 4000 mm, 20/2 Cond, UL 2468, Mini-B USB 5 Pin Type "B" or Equal, Ferrite: None, GlobTek Black, GT Cord # C28283, Pin Out: Pin 1: +V, Pin 2,3,4: N/C, Pin 5:-V, Blades/Input Cord: (Order Separately), Approvals: CE; EAC; Ukraine; WEEE; RoHS; PSE; China RoHS; VCCI; ETL 62368;	
	Model No. GTD83050-0505	
	Part No./Ordering No. GTDJ1000USB-F(R6B)	Rev A1

AGENCY ONLINE DOCUMENTS	http://www.globtek.info/certs/GTD83050/
CE EC-Declaration for Medical	Contact GlobTek for more information
CE EC-Declaration for Industrial/Commercial/ITE	http://globtek.force.com/models/ec_declaration_product?id=01t0c000008pyZW&i=4
CE EC-Declaration for Household	Contact GlobTek for more information
UKCA-Declaration for Medical	Contact GlobTek for more information
UKCA-Declaration for Industrial/Commercial/ITE	http://globtek.force.com/models/ukca_declaration_product?id=01t0c000008pyZW&i=4
UKCA-Declaration for Household	Contact GlobTek for more information
Morocco SDoC Declaration	https://globtek.secure.force.com/models/Morocco_SDoC_Declaration?id=a000c00000QCcb1EAD
RoHS/RoHS3 Declaration	https://www.globtek.com/pdf/rohs_cert/01t0c000008pyZWAAY
REACH Declaration	https://www.globtek.com/pdf/iso_certificates/REACH.pdf
Conflict Minerals Declaration	https://www.globtek.com/pdf/conflict-minerals.pdf
Prop 65 Statement	https://en.globtek.com/prop-65-statement.pdf

IPXY rating is based on 3rd party testing and customers should check suitability and test system level IPXY rating before ordering.

Regulatory Certifications/Label Markings

Below follows a link to the latest regulatory certifications and marks for this specific product. National standards as well as certification schemes are constantly changing and so is the set of certification marks and symbols applicable to this product. Various standards, marks and symbols, and certificates are subject to change at any time without notice.

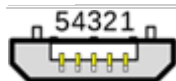
Additional standards or unique country certifications are available upon request. Please contact Globtek to request a quotation.

LATEST PRODUCT/MODEL CERTIFICATIONS: <https://www.globtek.com/datasheet/w70407>

AGENCY ONLINE DOCUMENTS <http://www.globtek.info/certs/GTD83050/>



(E2) Class II, FE, earthed output



Pin 1: +V, Pin 2,3,4: N/C, Pin 5:-V

GlobTek, Inc. www.globtek.com 186 Veterans Drive, Northvale, NJ 07647 Tel. (201) 784-1000 Fax (201) 784-0111	Drawing Title: GTD83050-0505, DC/DC Switching Power Supply, Efficiency Level: , Case Color/Style: GlobTek Black, Vehicle/Car DC/DC Converter, DC-DC Non-Isolated, Input Rating: 12-24 Vdc, Male Cigarette Lighter Plug , Output Rating: 5W, 5.0V@1.0A, Output Configuration: 4000 mm, 20/2 Cond, UL 2468, Mini-B USB 5 Pin Type "B" or Equal, Ferrite: None, GlobTek Black, GT Cord # C28283, Pin Out: Pin 1: +V, Pin 2,3,4: N/C, Pin 5:-V, Blades/Input Cord: (Order Separately), Approvals: CE; EAC; Ukraine; WEEE; RoHS; PSE; China RoHS; VCCI; ETL 62368;	
	Model No. GTD83050-0505	
	Part No./Ordering No. GTDJ1000USB-F(R6B)	Rev A1

PACKAGING

Packing Spec P/N:

Box Qty	120
Gift Box Size (mm):	90*62*48
Gift Box Color:	White
Master Carton Size (mm):	470 x 310 x 284
Master Carton Cubic Volume (m³):	0.04
Master GW (Kg):	kg
BLADES INCLUDED:	None: (Order Separately)
BLADE/CORD INSTALLED:	None: (Order Separately)
USER MANUAL*:	
USER MANUAL WEB LINK:	

* This specification sheet is considered the user manual for all applications. It is expected that the buyer of this product will use it to formulate their own user manual for their end product and a user manual specifically for the power adapter is not usually required. If a user manual is not specifically listed above then none will be provided with this unit.

GlobTek, Inc. www.globtek.com 186 Veterans Drive, Northvale, NJ 07647 Tel. (201) 784-1000 Fax (201) 784-0111	Drawing Title: GTD83050-0505, DC/DC Switching Power Supply, Efficiency Level: , Case Color/Style: GlobTek Black, Vehicle/Car DC/DC Converter, DC-DC Non-Isolated, Input Rating: 12-24 Vdc, Male Cigarette Lighter Plug , Output Rating: 5W, 5.0V@1.0A, Output Configuration: 4000 mm, 20/2 Cond, UL 2468, Mini-B USB 5 Pin Type "B" or Equal, Ferrite: None, GlobTek Black, GT Cord # C28283, Pin Out: Pin 1: +V, Pin 2,3,4: N/C, Pin 5:-V, Blades/Input Cord: (Order Separately), Approvals: CE; EAC; Ukraine; WEEE; RoHS; PSE; China RoHS; VCCI; ETL 62368;	
	Model No. GTD83050-0505	
	Part No./Ordering No. GTDJ1000USB-F(R6B)	Rev A1

INSTRUCTIONS TO THE OEM SYSTEMS ENGINEER

It is the responsibility of the OEM systems engineer to provide the end system user instructions and warnings for the use of this product in the end system.

If an input cord is required for this product, AC Mains voltage should be provided to the power supply by a power supply cord approved to the national standards of the country in which it will be used.

This product is not designed to be repaired. No serviceable parts inside. A blown internal fuse is an indication of catastrophic failure of circuit component(s). If a Failure Analysis is required for a failed power supply/battery charger, please return the damaged unit to GlobTek for an accurate determination of the root cause of the failure.

EMC Compliance of the complete OEM product, including the GlobTek power supply/battery charger needs to be verified by the OEM systems engineer.

INSTRUCTION SHEET

N/A

GlobTek, Inc. www.globtek.com 186 Veterans Drive, Northvale, NJ 07647 Tel. (201) 784-1000 Fax (201) 784-0111	Drawing Title: GTD83050-0505, DC/DC Switching Power Supply, Efficiency Level: , Case Color/Style: GlobTek Black, Vehicle/Car DC/DC Converter, DC-DC Non-Isolated, Input Rating: 12-24 Vdc, Male Cigarette Lighter Plug , Output Rating: 5W, 5.0V@1.0A, Output Configuration: 4000 mm, 20/2 Cond, UL 2468, Mini-B USB 5 Pin Type "B" or Equal, Ferrite: None, GlobTek Black, GT Cord # C28283, Pin Out: Pin 1: +V, Pin 2,3,4: N/C, Pin 5:-V, Blades/Input Cord: (Order Separately), Approvals: CE; EAC; Ukraine; WEEE; RoHS; PSE; China RoHS; VCCI; ETL 62368;	
	Model No. GTD83050-0505	
	Part No./Ordering No. GTDJ1000USB-F(R6B)	Rev A1

