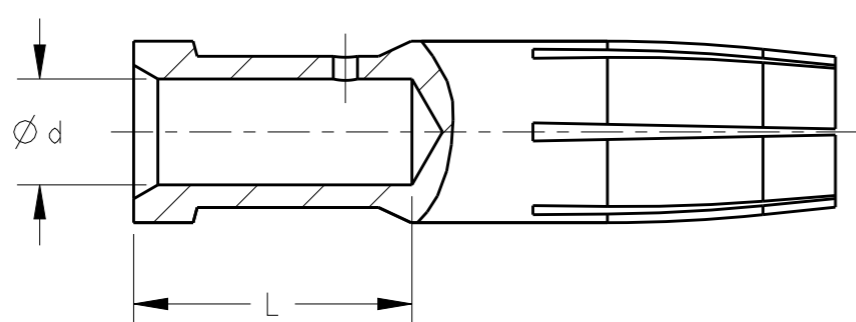
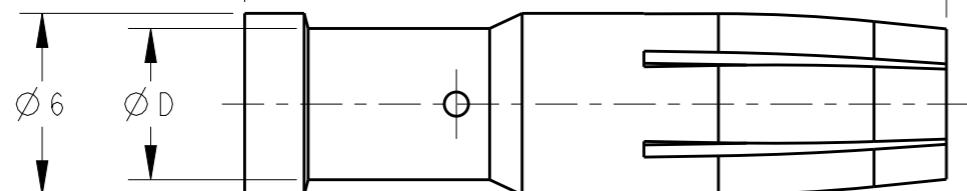
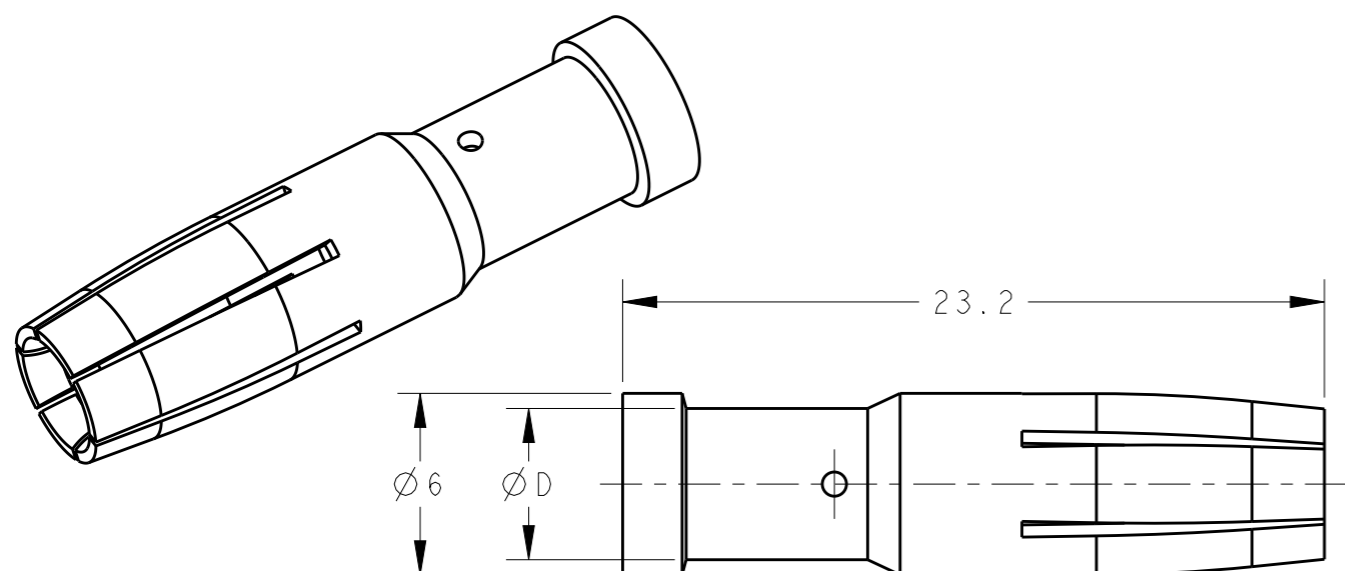
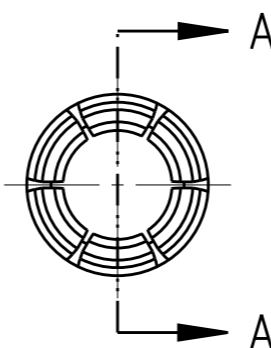


REVISIONS

P	LTR	DESCRIPTION	DATE	DWN	APVD
	A	INITIAL	07APR2015	DW	CW



SECTION A-A



NOTES:

- 1. TECHNICAL CHARACTERISTICS:
 CONTACT MATERIAL: BRASS
 SURFACE PLATING:
 SILVER PLATING: $\geq 2\mu\text{m}$
 GOLD PLATING: $\geq 0.75\mu\text{m}$
 CONTACT RESISTANCE: $\leq 3\text{m}\Omega$
 WIRE RANGE: 1.0-10.0 mm² (18-8 AWG)
 OPERATION TEMPERATURE: -40~+125°C

注释:

- 1. 技术参数:
 公针材料: 黄铜
 表面电镀:
 镀银: $\geq 2\mu\text{m}$
 镀金: $\geq 0.75\mu\text{m}$
 接触电阻: $\leq 3\text{m}\Omega$
 接线范围: 1.0-10.0 mm² (18-8 AWG)
 工作温度: -40~+125°C

	PART NUMBER		ϕd	ϕD	WIRE GAUGE		STRIPPING LENGTH L (mm)
	SILVER PLATING	GOLD PLATING			MM ²	AWG	
SOCKET CONTACT	T2040002010-000	T2040012010-000	1.45	2.65	1.0	18	9.2
	T2040002015-000	T2040012015-000	1.75	3.00	1.5	16	
	T2040002025-000	T2040012025-000	2.25	3.45	2.5	14	
	T2040002040-000	T2040012040-000	2.85	3.85	4.0	12	
	T2040002060-000	T2040012060-000	3.50	5.00	6.0	10	
	T2040002100-000	T2040012100-000	4.30	5.60	10.0	8	

THIS DRAWING IS A CONTROLLED DOCUMENT.

DWN 25JAN2015

David Wang

CHK 25JAN2015

Chris Wang

APVD 25JAN2015

Xiang Xu

PRODUCT SPEC

108-137053

APPLICATION SPEC

114-137053

WEIGHT

-

Customer Drawing



TE Connectivity

NAME

CMF/DMF
MM SOCKET CONTACT

SIZE

CAGE CODE

DRAWING NO

RESTRICTED TO

A3

00779

©

T20400X20XX000

-

SCALE

4:1

SHEET

1 OF 1

REV

A