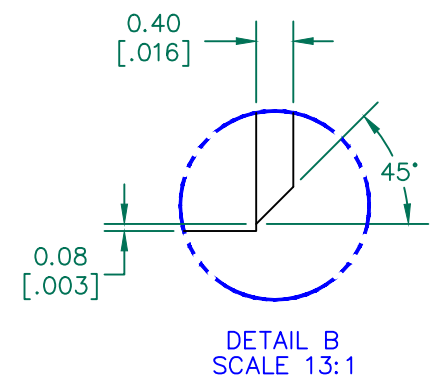
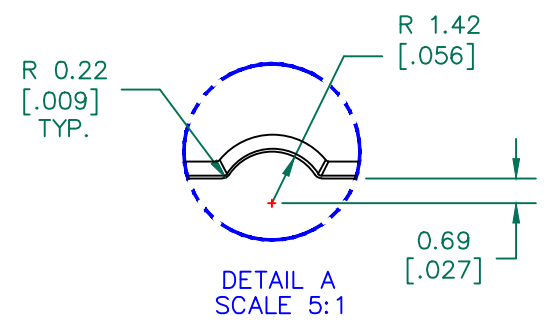
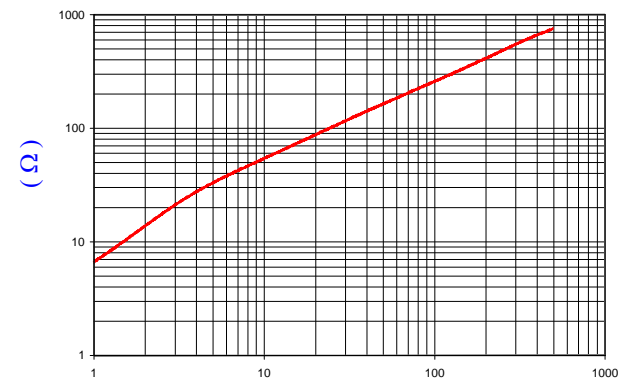


IMPEDANCE (Z)			
Frequency	25 MHz	100 MHz	300 MHz
Nominal (REF)	100 Ω	250 Ω	550 Ω
Minimum	- Ω	200 Ω	- Ω

Z vs. FREQUENCY (REF. ONLY)



FREQUENCY (MHz)

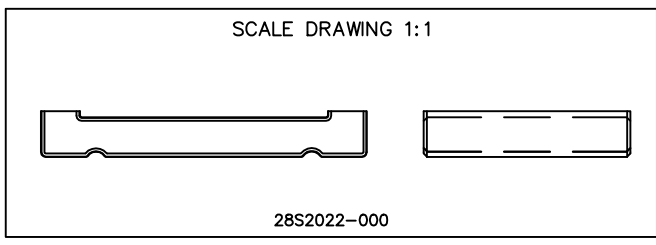
AGILENT E4991A Impedance/Material Analyzer
HP 16092A-Test Fixture

FERRITE CORE DIMENSIONS (SPEC): mm [in.]

A	45.09 [1.775]	+	0.90 [.035]
B	34.42 [1.355]	+	0.64 [.025]
C	28.58 [1.125]	+	0.64 [.025]
D	6.35 [.250]	+	0.25 [.010]
E	0.84 [.033]	+	0.25 [.010]
F	7.62 [.300]	+	-

NOTES: UNLESS OTHERWISE SPECIFIED

1. COSMETIC SPECIFICATION REFER TO WI-QA-038.



WEIGHT/1000 35.92 kgs. 79.18 Lbs.

DIMENSIONS ARE IN mm[INCHES].				This print is the property of Laird Tech. and is loaned in confidence subject to return upon request and with the understanding that no copies shall be made without the written consent of Laird Tech. All rights to design or invention are reserved.				
H	UPDATE LOGO	08/29/16	QIU	PROJECT/PART NUMBER: 28S2022-000				REV
G	CORRECT Z SPECS AT 25 MHZ	08/13/03	JRK			H	CNZ SPLIT FERRITE CORE	JBE
F	UPDATE FORMAT & Z SPECS ADD CURVE	07/07/03	JRK	DATE:	SCALE:	SHEET:		
E	UPDATE PRINT FOR ELECTRONIC DATABASE	11/06/00	JAJ	12/15/94	1.5 : 1	FERRITE		
D	UPDATED P/N FOR NEW CATALOG	09/27/95	JBE	CAD #	TOOL #			
C	UPDATED IMPEDANCE SPECS	05/22/95	JBE	28S2022-000-H	S2022			
B	STANDARD FORMAT	12/01/95	JBE					
A	ORIGINAL DRAFT	12/15/94	JBE					
REV	DESCRIPTION	DATE	INT					