

4

3

2

1

THIS DRAWING IS UNPUBLISHED.

RELEASED FOR PUBLICATION

20

REVISIONS

© COPYRIGHT 20 BY -

ALL RIGHTS RESERVED.

| P | LTR | DESCRIPTION | DATE | DWN | APVD |
|---|-----|---------------|-----------|-----|------|
| | B | ECR-15-014706 | 10OCT2015 | DL | CW |
| | B1 | ECR-15-016505 | 11NOV2015 | DL | CW |
| | B2 | ECR-16-018198 | 16JAN2017 | QY | CW |
| | C | ECR-21-117384 | 09NOV2021 | WQR | CW |

M3 THREAD
RECOMMENDED
TIGHTENING
TORQUE 0.5Nm
M3螺丝, 推荐锁紧力矩0.5Nm

NOTES:

1. TECHNICAL CHARACTERISTICS:
INSULATION MATERIAL: PC
RATED VOLTAGE: 400 V
RATED CURRENT: 10 A
INSULATION RESISTANCE: $\geq 400M\Omega$
RATED IMPULSE VOLTAGE: 6 KV
POLLUTION DEGREE: 3
FLAMMABILITY: UL94V-0
MATING CYCLES: 500 CYCLES
WIRE RANGE: 0.14-2.5 mm² (26-14 AWG)
CONTACT TYPE: CRIMP CONTACT

2. CONTACT NEED TO BE ORDERED SEPARATELY.
(ORDER No. REFER TO DRAWING: T20200X20XX000)

注释:

1. 技术参数:
绝缘材料: PC
额定电压: 400V
额定电流: 10A
绝缘电阻: $\geq 400M\Omega$
额定脉冲电压: 6 KV
污染等级: 3
阻燃等级: UL94V-0
插拔次数: 500次
接线范围: 0.14-2.5 mm² (26-14 AWG)
接线类型: 冷压接

2. 端子需要单独订购.
(订货号参考图面: T20200X20XX000)

M3 THREAD
RECOMMENDED
TIGHTENING
TORQUE 0.5Nm
M3螺丝, 推荐锁紧力矩0.5Nm

TYPE-1:T2080072201-000 TE LOGO
类型-1:T2080072201-000 TE LOGO

GROUNDING CONTACT TYPE: SCREW CONTACT
GROUNDING CONTACT FINISH: SILVER PLATED
WIRE RANGE: 2.5mm² (AWG14)
接地端子类型: 螺丝连接端子 / 接地端子表面处理: 镀银 / 接线范围: 2.5mm² (AWG14)

THIS DRAWING IS A CONTROLLED DOCUMENT.

| DIMENSIONS: | TOLERANCES UNLESS OTHERWISE SPECIFIED: |
|-------------|--|
| mm | |
| | 0 PLC ±- |
| | 1 PLC ±- |
| | 2 PLC ±- |
| | 3 PLC ±- |
| | 4 PLC ±- |
| | ANGLES ±- |
| MATERIAL | FINISH |
| - | - |
| - | - |

| | | |
|------------------|------------|-----------|
| DWN | DAVID LI | 31MAR2015 |
| CHK | CHRIS WANG | 31MAR2015 |
| APVD | XU XIANG | 31MAR2015 |
| PRODUCT SPEC | 108-137114 | |
| APPLICATION SPEC | 114-137114 | |
| WEIGHT | - | |
| CUSTOMER DRAWING | | |

| NAME | | RESTRICTED TO | |
|----------|-----------|------------------|-----|
| HQ-007-F | | | |
| SIZE | CAGE CODE | DRAWING NO | |
| A3 | - | ©-T2080072201000 | |
| SCALE | | SHEET | REV |
| 2:1 | | 1 OF 2 | C |

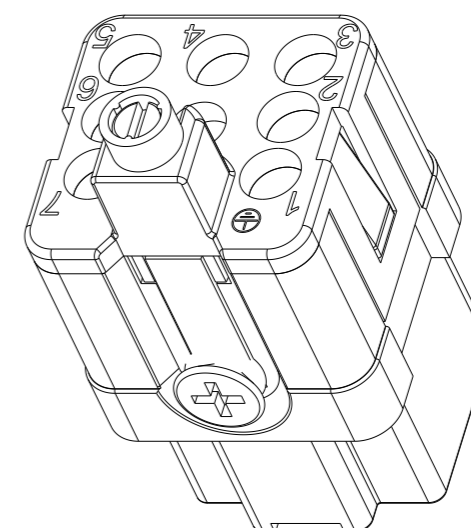
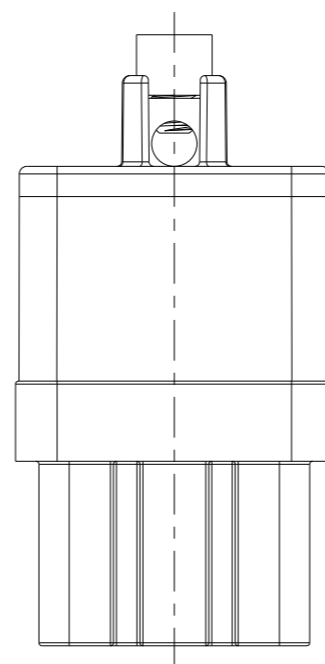
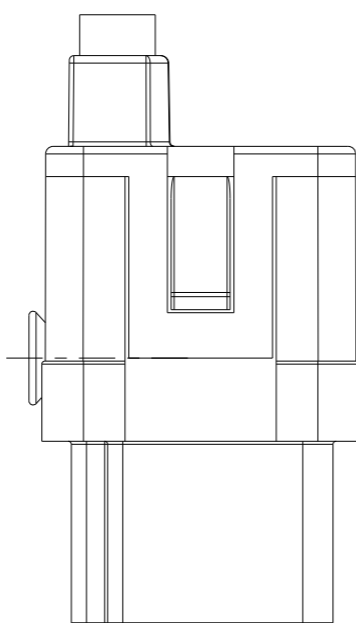
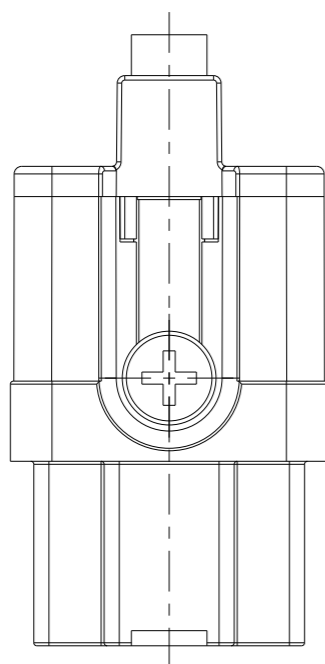
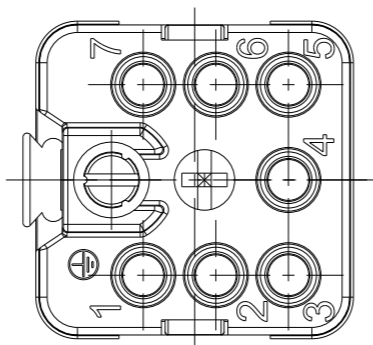
1470-19 (3/13)

REVISIONS

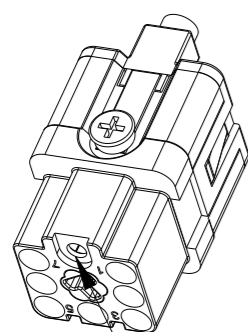
| P | LTR | DESCRIPTION | DATE | DWN | APVD |
|---|-----|-------------|------|-----|------|
| - | - | SEE SHEET 1 | - | - | - |
| | | | | | |
| | | | | | |

ALL DIMENSIONS ARE SAME AS TYPE 1,
EXCEPT THOSE DEFINED IN THIS TYPE.
除了在本类型中定义的尺寸外, 其它尺寸同类型 |

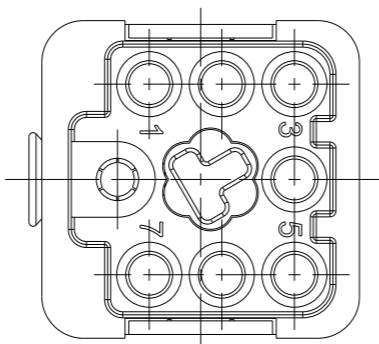
NOTES:
SEE SHEET 1
注释:
见页 |



TYPE-2: T2080072201-001 STAINLESS STEEL SCREW, NO LOGO
类型-2: T2080072201-001 不锈钢螺丝, 无LOGO



GROUNDING CONTACT TYPE: SCREW CONTACT
GROUNDING CONTACT FINISH: SILVER PLATED
WIRE RANGE: 2.5mm² (AWG14)
接地端子类型: 螺丝连接端子 / 接地端子表面处理: 镀银 / 接线范围: 2.5mm² (AWG14)



| T2080072201-001 | HQ-007-F | HQ-007 FEMALE INSERT, STAINLESS STEEL SCREW, NO LOGO HQ-007母插, 不锈钢螺丝, 无LOGO | TYPE-2 类型-2 |
|-------------------|------------------------|---|----------------|
| T2080072201-000 | HQ-007-F | HQ-007 FEMALE INSERT HQ-007母插 | TYPE-1 类型-1 |
| PART NUMBER 料号 | PART DESCRIPTION 描述 | | TYPE 类型 |

| | | | | |
|--|--|--------------------------------|--------------------------------|--|
| THIS DRAWING IS A CONTROLLED DOCUMENT. | | DWN 31MAR2015 DAVID LI | | |
| DIMENSIONS: mm | | CHK 31MAR2015 CHRIS WANG | | |
| TOLERANCES UNLESS OTHERWISE SPECIFIED: | | APVD 31MAR2015 XU XIANG | NAME HQ-007-F | |
| 0 PLC ±- | | PRODUCT SPEC 108-137114 | SIZE A3 | |
| 1 PLC ±- | | APPLICATION SPEC 114-137114 | CAGE CODE - | |
| 2 PLC ±- | | WEIGHT - | DRAWING NO C-T2080072201000 | |
| 3 PLC ±- | | CUSTOMER DRAWING | RESTRICTED TO | |
| 4 PLC ±- | | | SCALE 2:1 SHEET 2 OF 2 REV C | |
| ANGLES ±- | | | | |
| FINISH | | | | |
| MATERIAL | | | | |
| | | | | |