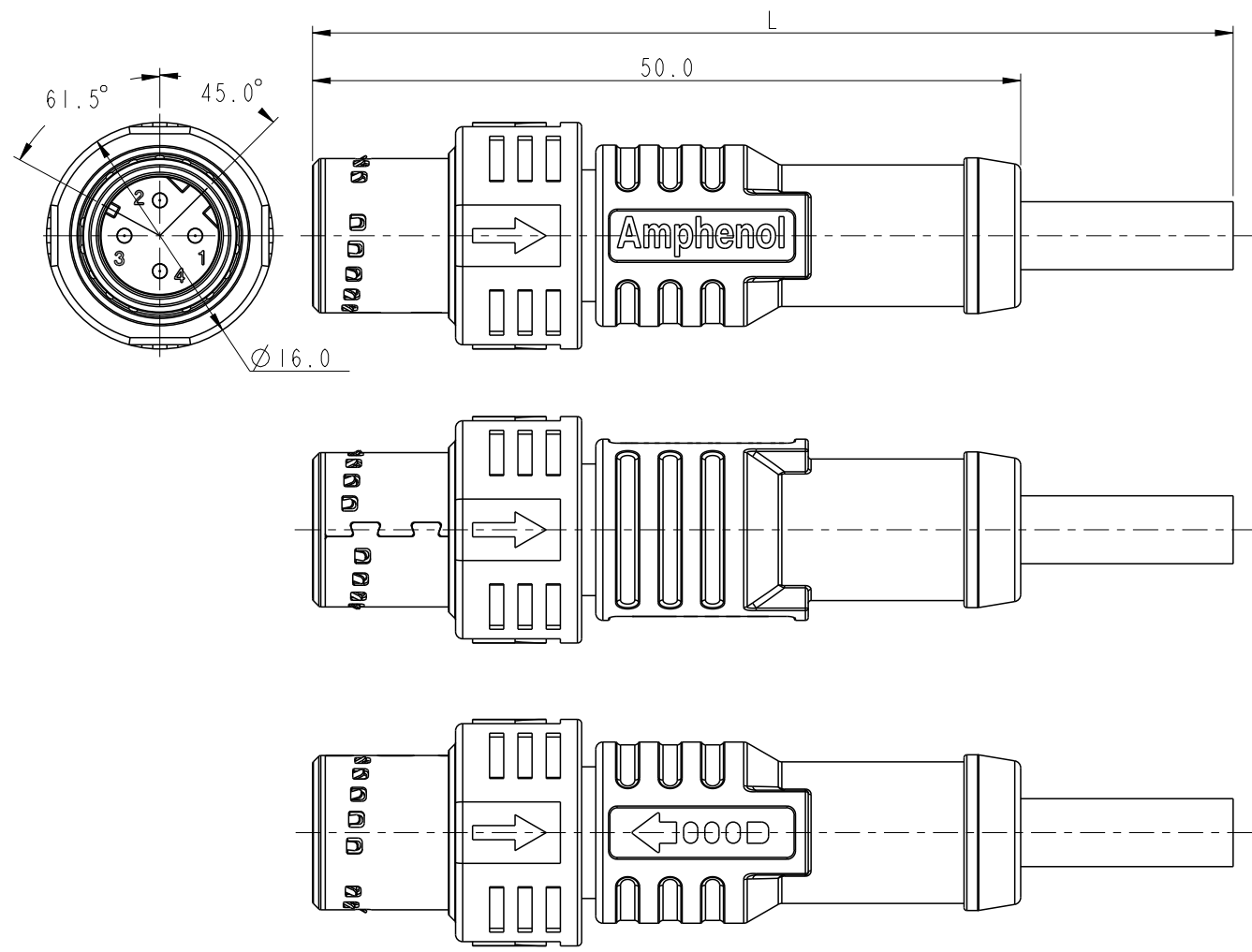


THIS DOCUMENT IS SUBJECT TO CHANGE WITHOUT NOTICE. IT IS CONFIDENTIAL AND A PROPERTY OF Amphenol LTW. DISCLOSURE TO THIRD PARTY HAS TO BE AUTHORIZED BY Amphenol LTW.

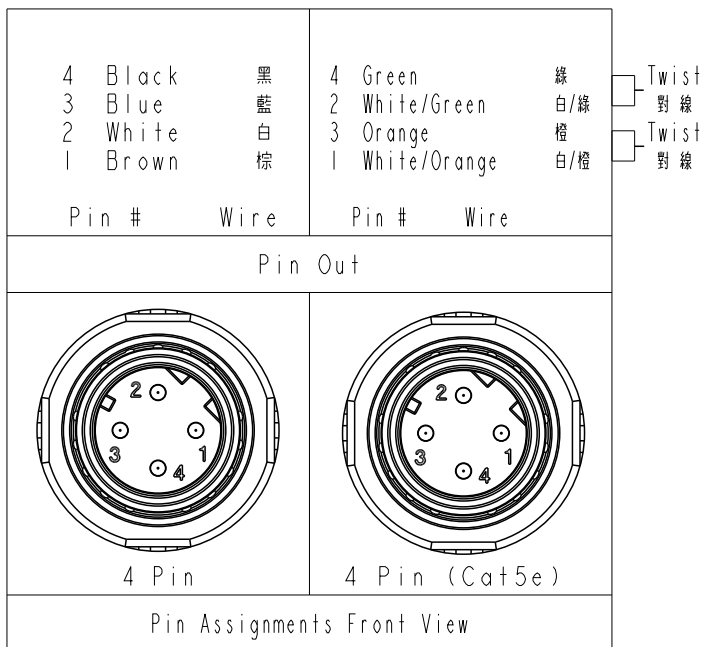
REV.	ECN NO.	DATE	SIGN	DESCRIPTION
A		2020-08-26	Sam Ho	New Release



Notes:
 Material Specification:
 * Housing: Thermoplastic, UL94V-0, Black.
 * Male Pin: Copper Alloy, Gold Plated.
 * Shell & Latch & Spring: Matal.
 * Outer Mold: Thermoplastic, Black.
 Electrical Specification:
 * Contact Resistance: 10mΩ (Max.)
 * Insulation Resistance: 100MΩ (Min.)
 * Voltage Proof: 2.5KV
 * Rated Voltage: 250V D.C. or A.C.
 * Rated Current: 4.0A
 Mechanical Specification:
 * Durability: 500 Cycles.
 Environmental Specification:
 * Waterproof Rate: IP68.
 * Temperature Range:
 -20~+80°C For PVC Cable
 -20~+85°C For PU Cable

UNIT:mm TOLERANCE ±0.50mm	TITLE M12 D Code Push Pull Type Cable		Amphenol LTW 安費諾亮泰企業股份有限公司		ITEM NO M12D-04BMMM-PL8XXX	DRAWN BY Sam Ho	DATE 2020-08-26
	SCALE 2:1	SIZE A4			SHEET 1 OF 2	DWG NO M12D-04BMMM-PL8XXX	CHECKED BY Fred Lee
	REV. A	WC-REV.	☉: Inspection item	CUSTOMER ALTW	APPROVED BY Fred Lee	DATE 2020-08-26	

THIS DOCUMENT IS SUBJECT TO CHANGE WITHOUT NOTICE. IT IS CONFIDENTIAL AND A PROPERTY OF AMPHENOL LTW. DISCLOSURE TO THIRD PARTY HAS TO BE AUTHORIZED BY AMPHENOL LTW.



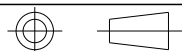
4 Pin	PU	6.2	22	MI2D-04BMMM-PL8EXX
	PVC	4.8		MI2D-04BMMM-PL8DXX
	PUR	4.0		MI2D-04BMMM-PL8BXX
	PVC	4.8		MI2D-04BMMM-PL8AXX
Contacts	Cable Jacket	Cable OD	AWG	Item No.

MI2D-04BMMM-PL8 X XX

XX: L=0~99Meters
 01: L=1Meters
 02: L=2Meters
 :
 99: L=99Meters

A: PCV UL2517 Cable, Yellow.
 B: PUR UL20549 Cable, Black.
 D: PCV UL2517 Cable, Black.
 E: PU Cat5e Cable, Black.

UNIT: mm



TOLERANCE

±0.50mm

TITLE

MI2 D Code Push Pull Type Cable

SCALE 2:1

SIZE A4

SHEET 2 OF 2

REV. A

WC-REV.

☉: Inspection item

Amphenol LTW

安費諾亮泰企業股份有限公司

ITEM NO

MI2D-04BMMM-PL8XXX

DRAWN BY

Sam Ho

DATE

2020-08-26

DWG NO

MI2D-04BMMM-PL8XXX

CHECKED BY

Fred Lee

DATE

2020-08-26

CUSTOMER

ALTW

APPROVED BY

Fred Lee

DATE

2020-08-26