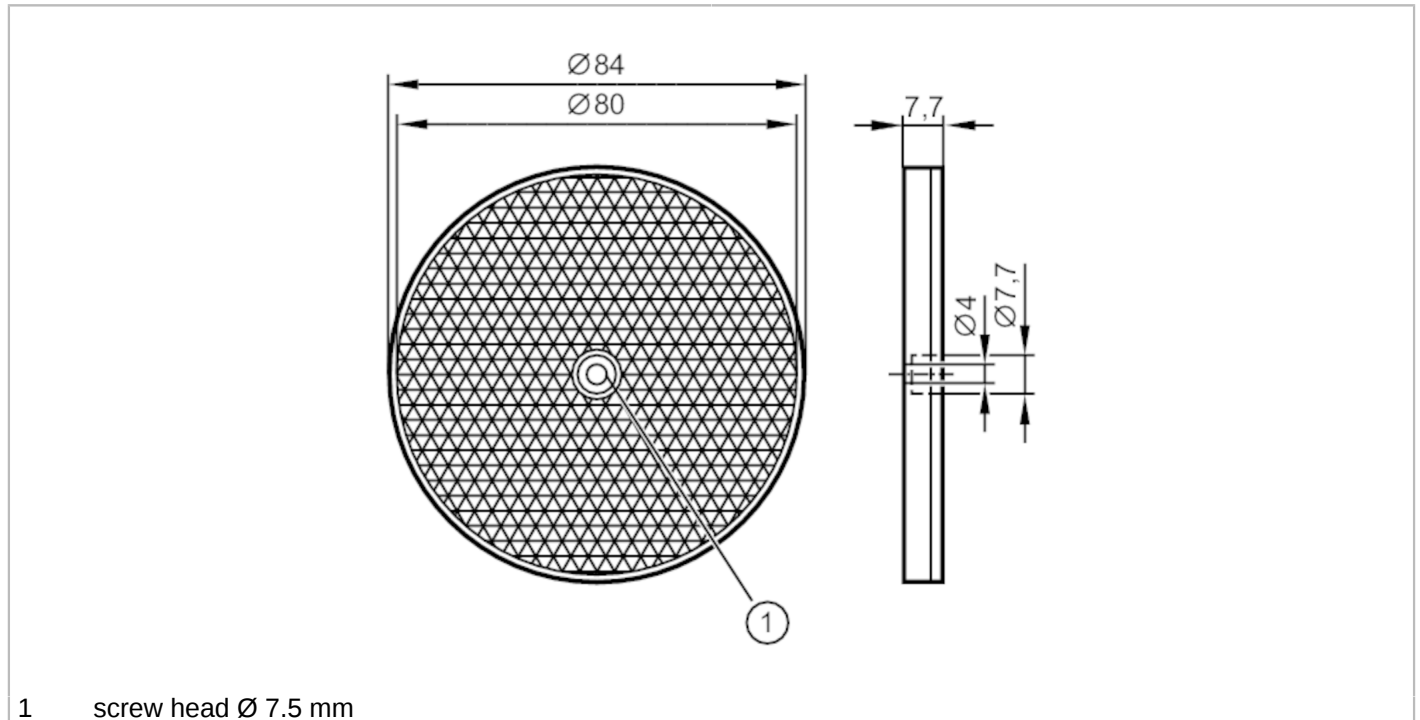


# E20005



## Reflector for retro-reflective sensors

REFLECTOR TS-80



Application	
Design	round, for red light and infrared light retro-reflective sensors
Operating conditions	
Ambient temperature	[ $^{\circ}$ C] -10...60
Mechanical data	
Weight	[g] 30.9
Dimensions	[mm] $\varnothing$ 84 / L = 7.7
Reflector surface	[mm] $\varnothing$ 80
Materials	plastics
Remarks	
Pack quantity	1 pcs.