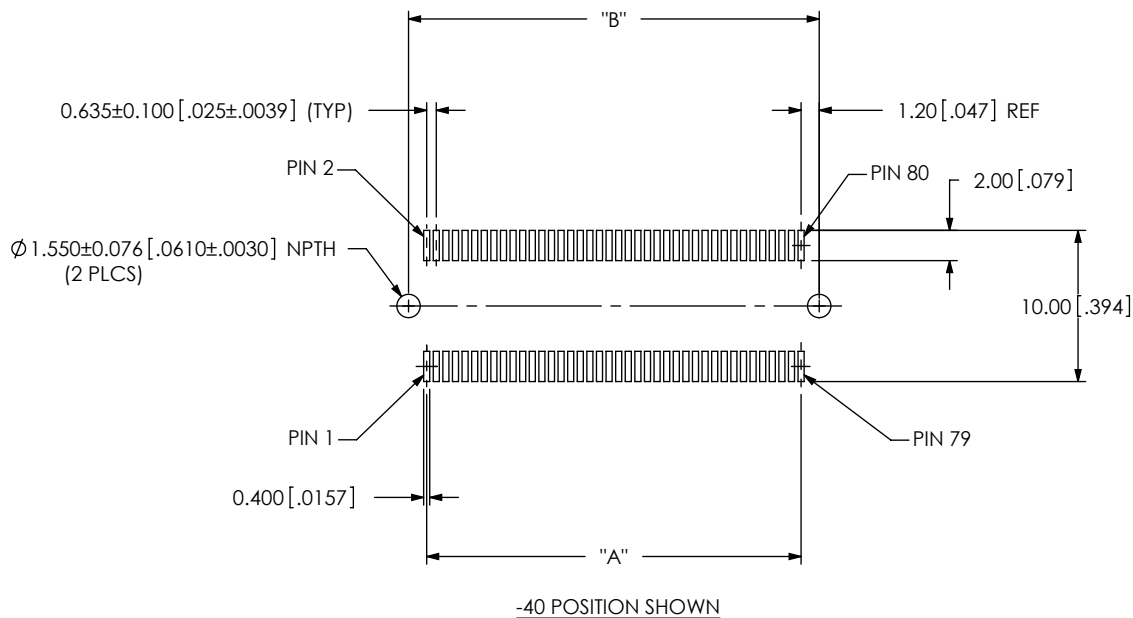
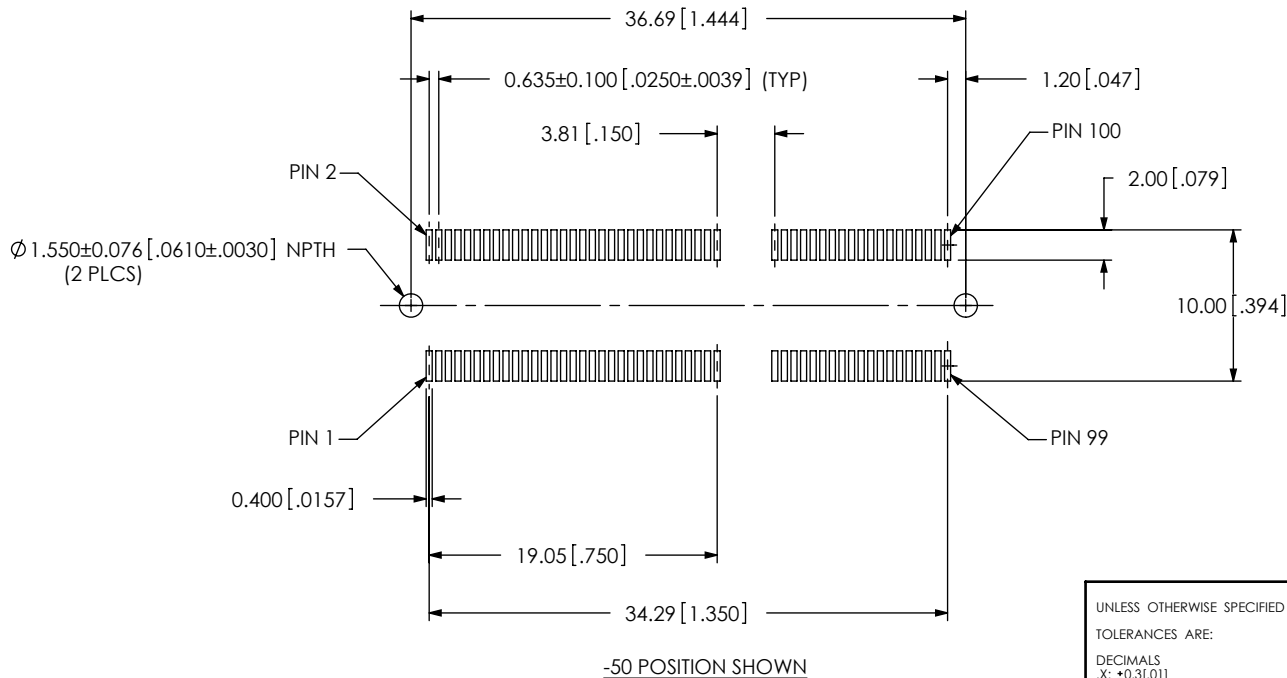



**DESIGNED & DIMENSIONED
IN MILLIMETERS [INCHES]**



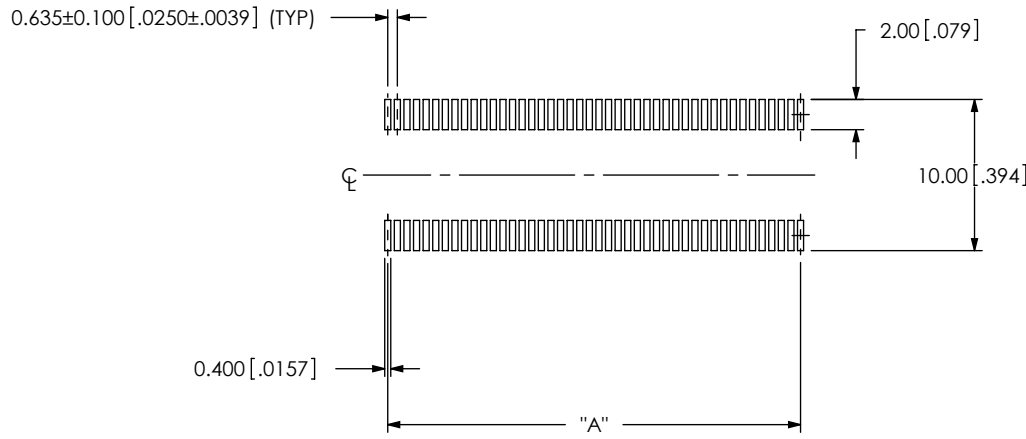
POSITION	"A"	"B"
-10	5.72 [0.225]	8.12 [0.319]
-18	10.80 [0.425]	13.20 [0.519]
-20	12.07 [0.475]	14.47 [0.569]
-30	18.42 [0.725]	20.82 [0.819]
-40	24.77 [0.975]	27.17 [1.069]



F:\DWG\MISC\mktg\FOOTPRINT\MEC6-1XX-D-RA-FOOTPRINT.SLDDRW

<p>UNLESS OTHERWISE SPECIFIED TOLERANCES ARE: DECIMALS X: ±0.3[.01] XX: ±0.10[.004] XXX: ±0.050[.0020]</p>	<p>PROPRIETARY NOTE THIS DOCUMENT CONTAINS INFORMATION CONFIDENTIAL AND PROPRIETARY TO SAMTEC, INC. AND SHALL NOT BE REPRODUCED OR TRANSFERRED TO OTHER DOCUMENTS OR DISCLOSED TO OTHERS OR USED FOR ANY PURPOSE OTHER THAN THAT WHICH IT WAS OBTAINED WITHOUT THE EXPRESSED WRITTEN CONSENT OF SAMTEC, INC.</p>	 <p>520 PARK EAST BLVD, NEW ALBANY, IN 47150 PHONE: 812-944-6733 FAX: 812-948-5047 e-Mail info@SAMTEC.com code 55322</p>
--	---	---

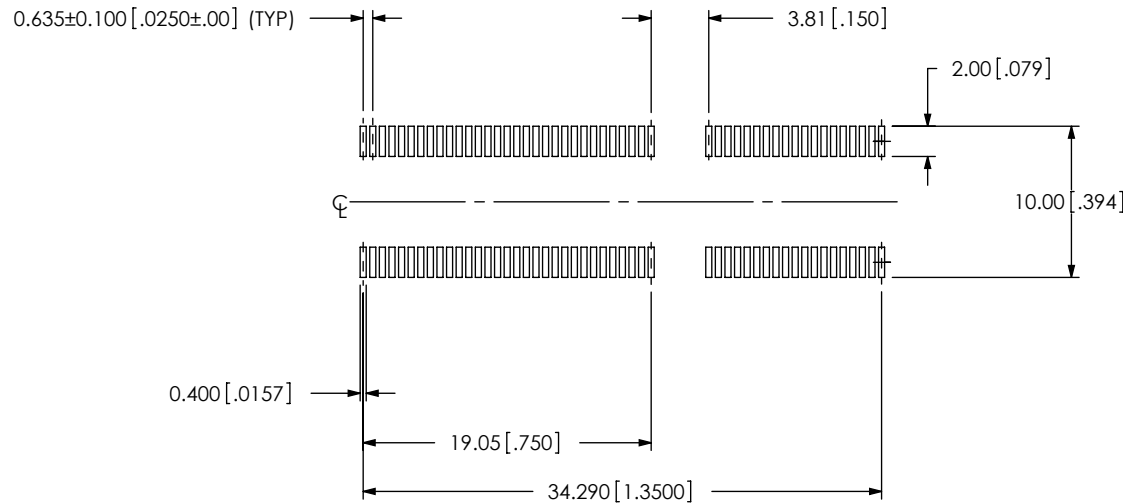
**DESIGNED & DIMENSIONED
IN MILLIMETERS [INCHES]**



-40 POSITION SHOWN

TABLE 2	
POSITION	"A"
-10	5.72 [0.225]
-18	10.80 [0.425]
-20	12.07 [0.475]
-30	18.42 [0.725]
-40	24.77 [0.975]

D NOTE:
STENCIL TO BE 0.15 [.006] THICK.



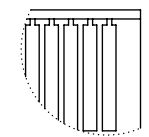
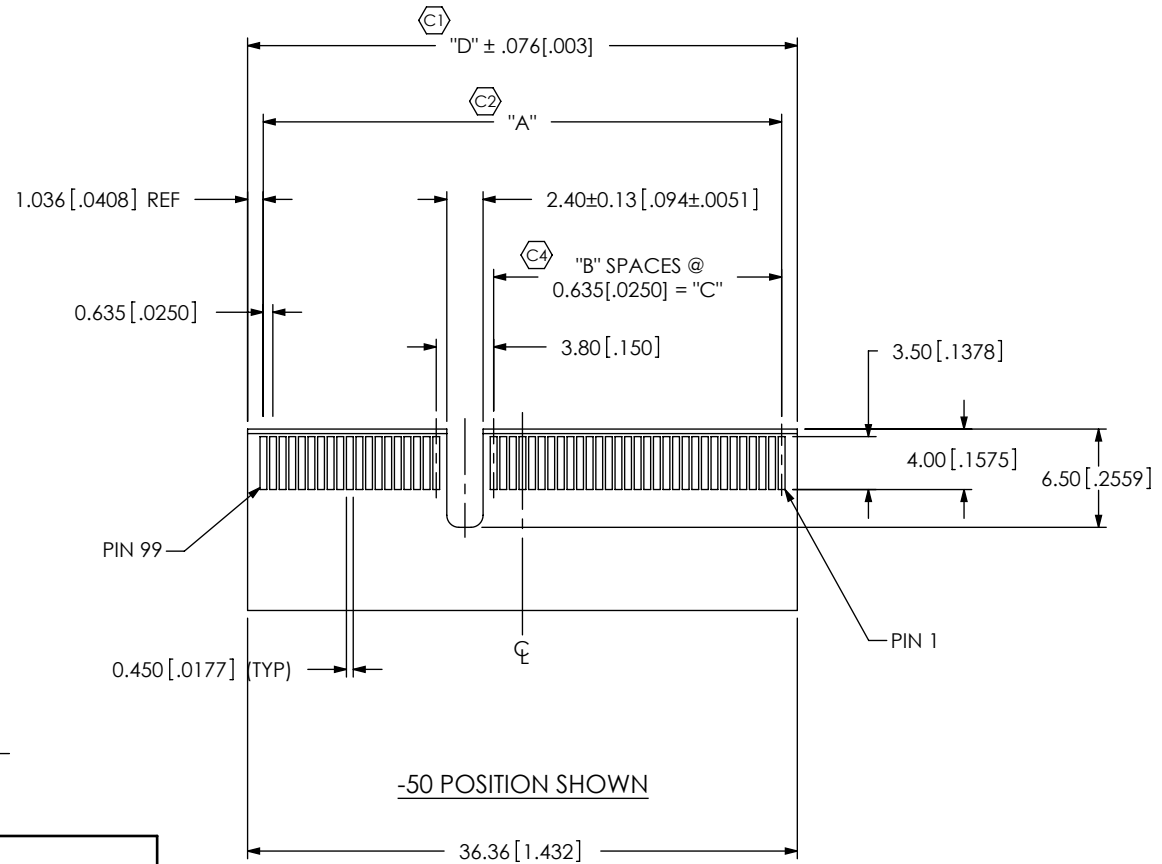
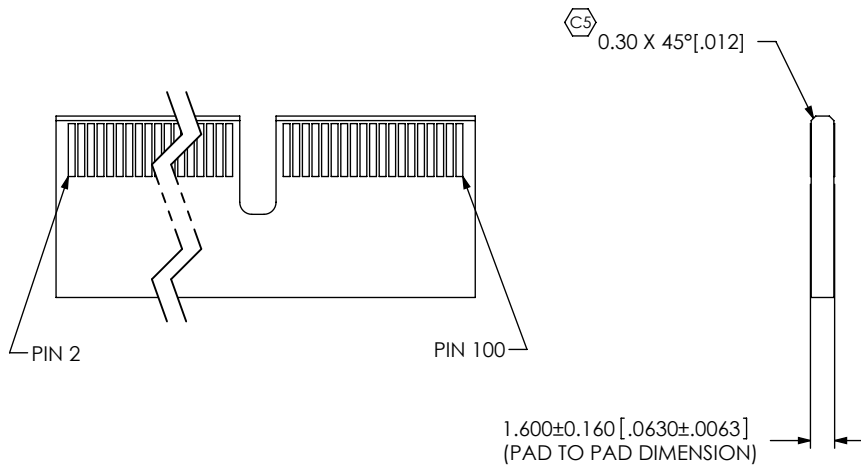
-50 POSITION SHOWN

F:\DWG\MISC\mktg\FOOTPRNT\MEC6-1XX-D-RA-FOOTPRINT.SLDDRW

<p>PROPRIETARY NOTE THIS DOCUMENT CONTAINS INFORMATION CONFIDENTIAL AND PROPRIETARY TO SAMTEC, INC. AND SHALL NOT BE REPRODUCED OR TRANSFERRED TO OTHER DOCUMENTS OR DISCLOSED TO OTHERS OR USED FOR ANY PURPOSE OTHER THAN THAT WHICH IT WAS OBTAINED WITHOUT THE EXPRESSED WRITTEN CONSENT OF SAMTEC, INC.</p>	 <p>520 PARK EAST BLVD, NEW ALBANY, IN 47150 PHONE: 812-944-6733 FAX: 812-948-5047 e-Mail info@SAMTEC.com code 55322</p>
---	---

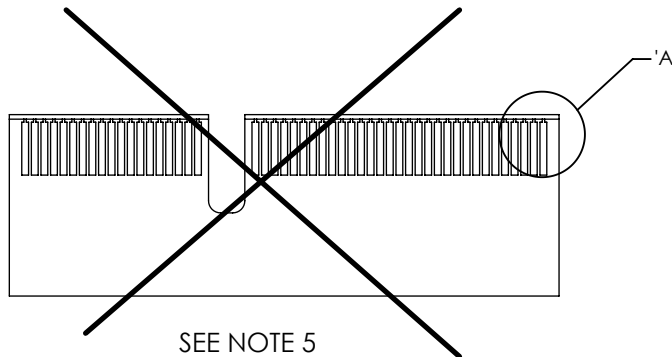
**DESIGNED & DIMENSIONED
IN MILLIMETERS [INCHES]**

POSITION	"A"	"B"	"C"	"D"
-10	5.715 [0.2250]	N/A	N/A	7.788 [0.307]
-18	10.795 [0.4250]	N/A	N/A	12.868 [0.507]
-20	12.065 [0.4750]	N/A	N/A	14.138 [0.557]
-30	18.415 [0.7250]	N/A	N/A	20.488 [0.807]
-40	24.765 [0.9750]	N/A	N/A	26.838 [1.057]
-50	34.290 [1.3500]	30	19.050 [0.7500]	36.363 [1.432]



DETAIL 'A'
SCALE 4:1

D



NOTES:

- Ⓢ REPRESENTS A CRITICAL DIMENSION.
- 10, -18, -20, -30, & -40 CARDS HAVE NO SLOT.
- ALL DIMENSIONS ARE SYMMETRIC ABOUT THE CENTERLINE.
- PLATING TO BE .000030 INCHES GOLD WITH A HARDNESS OF 120-200 KNOOPS.
- D** FOR PROPER CONTACT REGISTRATION, PLATING BUS TIE TO BE THE WIDTH OF THE EDGE FINGER.

F:\DWG\MISC\mktg\FOOTPRINT\MEC6-1XX-D-RA-FOOTPRINT.SLDDRW

PROPRIETARY NOTE
THIS DOCUMENT CONTAINS INFORMATION CONFIDENTIAL AND PROPRIETARY TO SAMTEC, INC. AND SHALL NOT BE REPRODUCED OR TRANSFERRED TO OTHER DOCUMENTS OR DISCLOSED TO OTHERS OR USED FOR ANY PURPOSE OTHER THAN THAT WHICH IT WAS OBTAINED WITHOUT THE EXPRESSED WRITTEN CONSENT OF SAMTEC, INC.



520 PARK EAST BLVD, NEW ALBANY, IN 47150
PHONE: 812-944-6733 FAX: 812-948-5047
e-Mail info@SAMTEC.com code 55322