



REED SWITCH DEVELOPMENTS CORP.

2524 Norwood Court

Racine, WI 53403

Ph: (262)883-9060

sales@reedswitchdevelopments.com

SPECIFICATION SHEET

2060-1051-100

Alternate Part Number:

AM2060-1051-10-01

Active / Equivalent Part Numbers:

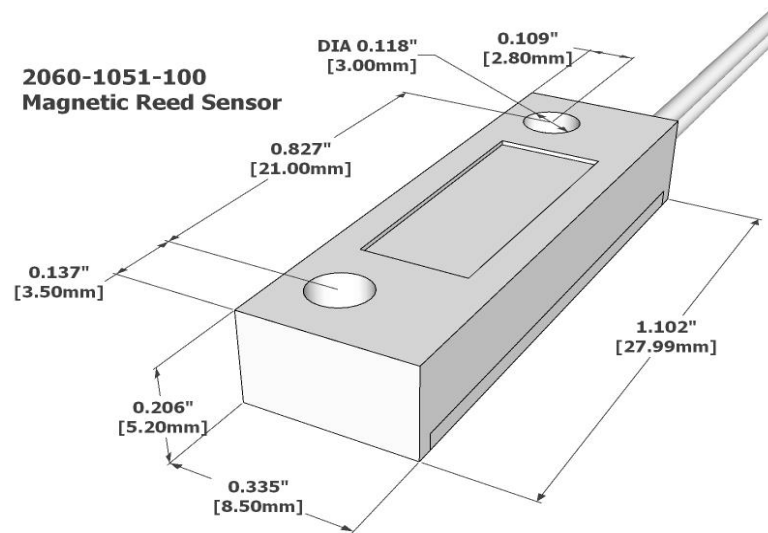
2060-1051-100 - Magnetic Reed Sensor Only

AM2060-1051-10-01 - Magnetic Reed Sensor Only

Sensor (Reed) - Specifications		1051	
Physical	Configuration	SPST	
	Form	A	
	Contact Position	CENTER	
	Glass L	14.50	mm
	Glass D	2.54	mm
	Total L*	46.00	mm
	Wire D	0.60	mm
	Gap Location	CENTER	
	Mount Spec*	THRU	
	Contact Material	RUTHENIUM	
	Max Vibration Resistance	10	G
	Max Shock Resistance (11ms)	150	G
Lead Tensile Strength	N/A	KG	
Operating	Pull in (+/- 2AT)*	15 - 23	AT
	Drop out*	7.5-17.5	AT
	Operate Time	0.10	ms
	Bounce Time	0.15	ms
	Release Time	30	µs
	Resonant Frequency	5100	Hz
	Max Operating Frequency	N/A	Hz
	Operating Temperature Range	-55 - 105	°C
	Storage Temperature	N/A	°C
	DC Contact Rating	15	W
Electrical	AC Contact Rating	N/A	VA
	DC Switching Voltage	200	VDC
	AC Switching Voltage	140	VAC
	DC Switching Current	1.00	A
	AC Switching Current	1.00	A
	DC Max Carry Current	1.75	A
	AC Max Carry Current	1.75	A
	Min Breakdown Voltage	275	VDC
	Max Initial Contact Resistance	100	mOhm
	Typical Initial Contact Resistance	70	mOhm
	Max Contact Capacitance	0.30	pF
	Min Insulation Resistance	10 ⁶	Ohm

* Pre-processed, bare reed element

**2060-1051-100
Magnetic Reed Sensor**



All measurements are in Inches [millimeters]

Sensor - Wire/Cable Characteristics (cont.)

Type	Wire
Conductor Count	2
Length	6.0"/152.4mm
Colors	BLK
Insulation Material	PVC
Gauge	24 AWG
Stranded Copper	7 STR-TC
Maximum Temp	105°C

Housing Characteristics 2060

Rectangular w/ Mounting Holes	
Length	1.102"/27.99mm
Width	0.335"/8.51mm
Height	0.206"/5.23mm
Material	Celanex 3316

Standard Sensor/Actuator - Min. Actuation Distance

2065-4035-000	0.31"/7.9mm
---------------	-------------

Assembly Certifications

UL Recognized (File #: E102207)	Y
RoHS / Reach Compliant	Y
Conflict Free Material	Y

REV DATE: 10/06/2021

DISCLAIMER NOTICE: INFORMATION FURNISHED IS PROPRIETARY, AND IS BELIEVED TO BE ACCURATE AND RELIABLE, AND IS SUBJECT TO CHANGE WITHOUT NOTICE. IT SHALL BE THE RESPONSIBILITY OF THE BUYER TO ENSURE THAT THE GOODS ARE SUFFICIENT AND SUITABLE FOR THE PURPOSE OR PURPOSES INTENDED (WHETHER BY THE BUYER OR BY ANY THIRD PARTY) AND THAT THEIR CAPACITY AND PERFORMANCE IS NOT ADVERSELY AFFECTED BY ANY ITEMS USED IN THEIR INSTALLATION (WHERE RELEVANT) AND/OR IN CONNECTION WITH THEM.

WBE Certified - State of Wisconsin - MFR CAGE CODE: 32604

www.reedswitchdevelopments.com