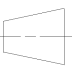





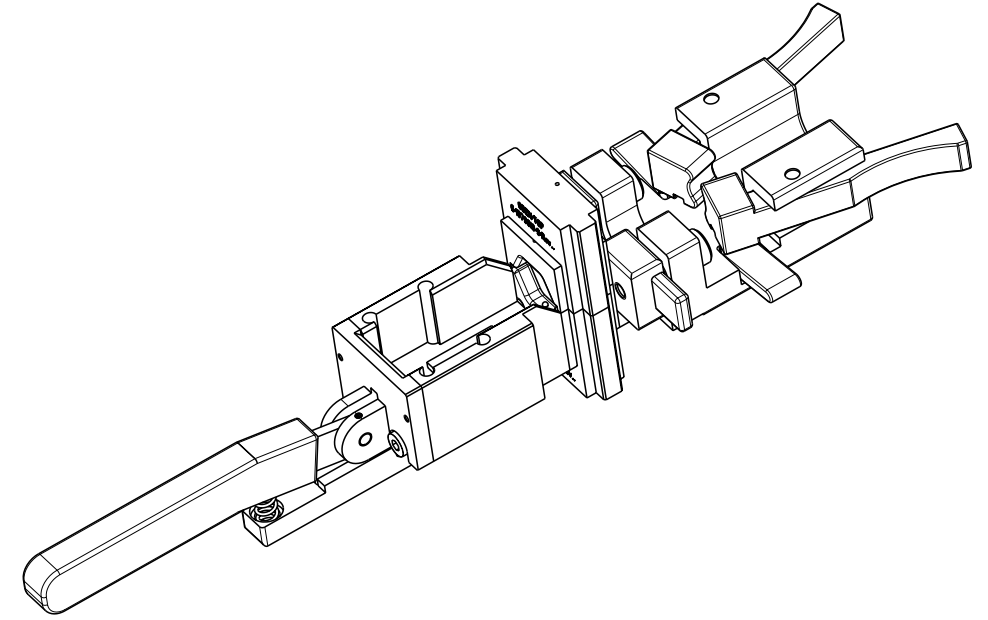
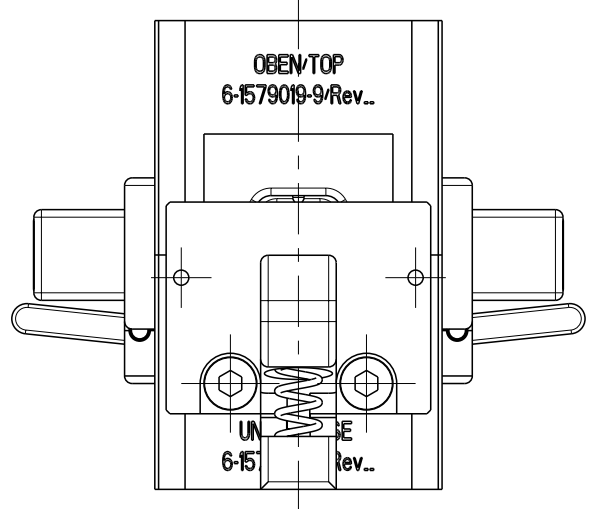
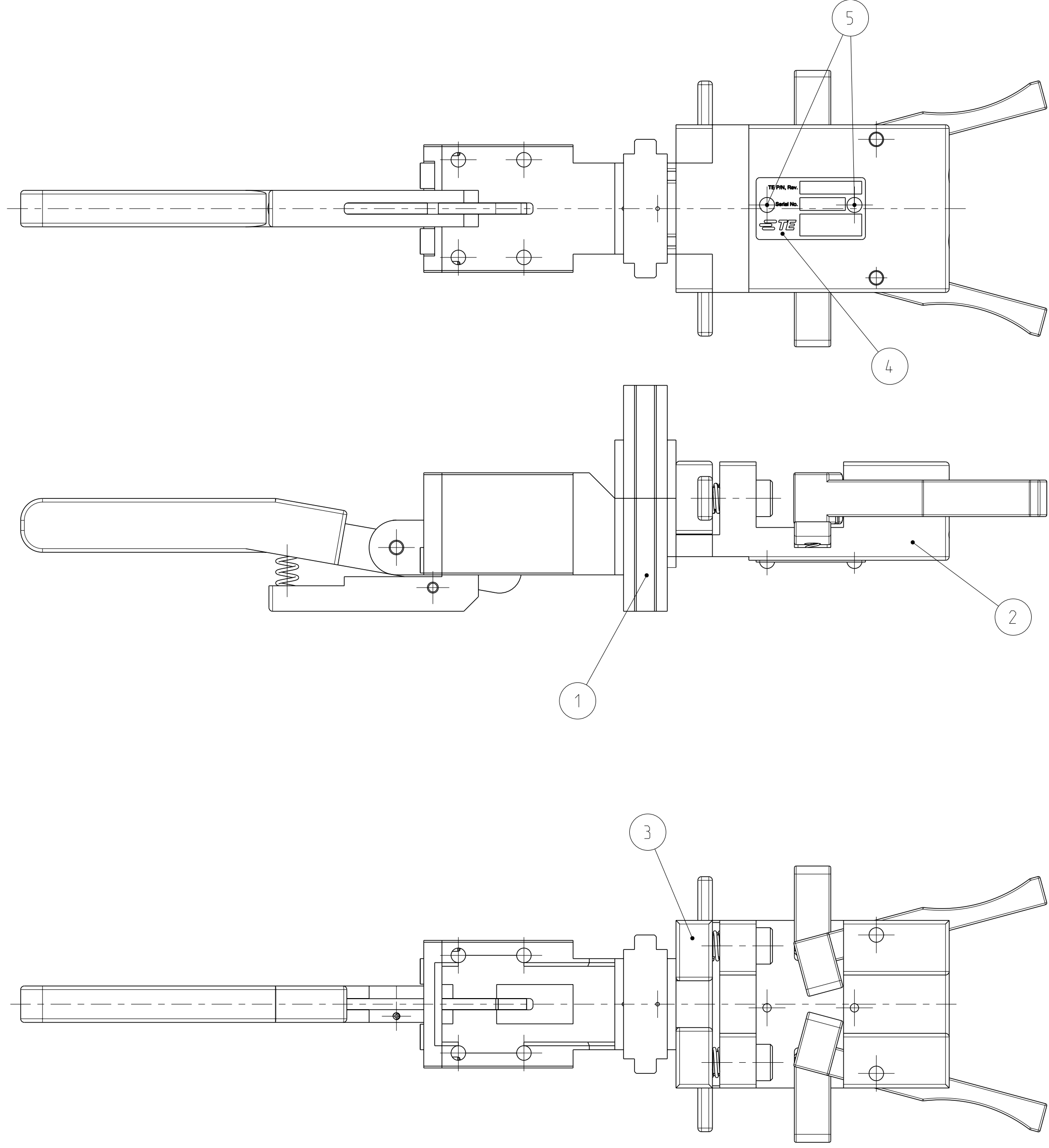
POS	QTY	TE P/N	REV	DESCRIPTION	S=Spare Parts S W W=Wear Parts
1	1	6-1579019-9	D	DIE SET HV CONTACTS AK CAT1	<input checked="" type="checkbox"/> <input type="checkbox"/>
2	1	6-563080-0	A	TOOL ASSEMBLY INCL. LOC., HVA630	<input checked="" type="checkbox"/> <input type="checkbox"/>
3	1	519719-4	A	STOP PLATE	<input checked="" type="checkbox"/> <input type="checkbox"/>
4	1	9-519637-2	A	TYPE PLATE, HV TOOLING	<input checked="" type="checkbox"/> <input type="checkbox"/>
5	2	2168078-1	A	SCREW,DRIVE,ROUND HD,METALLIC,	<input checked="" type="checkbox"/> <input type="checkbox"/>

REMARKS:

REMARKS:										USED ON		
										-		
P	LTR	REVISION RECORD	DATE	DWN	APVD	PRINTED	DWN	30JUN11	CHK	30JUN11	APVD	30JUN11
-	-	SEE SHEET 1	-	-	-	14AUG19	G.Sowa		G.Sowa		G.Stegmayer	
-	-	-	-	-	-			 <b>TE</b> connectivity TE Connectivity		CUSTOMER PART LIST		
-	-	-	-	-	NAME <b>DIE SET, LOCATOR HVA630 2PHM, 6.0 SQMM</b>							RESTRICTED TO -
THIS DRAWING IS UNPUBLISHED. RELEASED FROM PUBLICATION -,- ©COPYRIGHT - BY TYCO ELECTRONICS CORPORATION. ALL INTERNATIONAL RIGHT RESERVED.						SCALE	SIZE	DRAWING NO		SHEET	REV	
						-	A4	C-1-528041-0		2 / 3	E	

THIS DRAWING IS UNPUBLISHED. RELEASED FOR PUBLICATION 2011  
 © COPYRIGHT 2011 Tyco Electronics AMP GmbH ALL RIGHTS RESERVED.

LOC	DIST	REVISIONS					
		P	LTR	DESCRIPTION	DATE	DWN	APVD
A1	-			SEE SHEET 1			



1:2

Matrize in Kombination mit hydraulischer Handzange TE PN 9-1579009-1 verwendbar  
 Use this die set in combination with hydraulic tool TE PN 9-1579009-1

THIS DRAWING IS A CONTROLLED DOCUMENT.		DWN	G.Sowa	30JUN2011	 TE Connectivity	NAME DIE SET, LOCATOR HVA630 2PHM,6.0 SQMM Matrize, Aufnahme HVA630 2PHM,6.0 qmm				
DIMENSIONS: mm		CHK	G.Sowa	30JUN2011						
TOLERANCES UNLESS OTHERWISE SPECIFIED:		APVD	G.Sowa	30JUN2011						
0 PLC ± 1 PLC ± 2 PLC ± 3 PLC ± 4 PLC ± ANGLES ±° FINISH		PRODUCT SPEC								
MATERIAL		APPLICATION SPEC			SIZE	CAGE CODE	DRAWING NO	RESTRICTED TO		
		WEIGHT			A2	00779	G-1-528041-0			
		CUSTOMER DRAWING			SCALE	1:1	SHEET	3 OF 3	REV	E