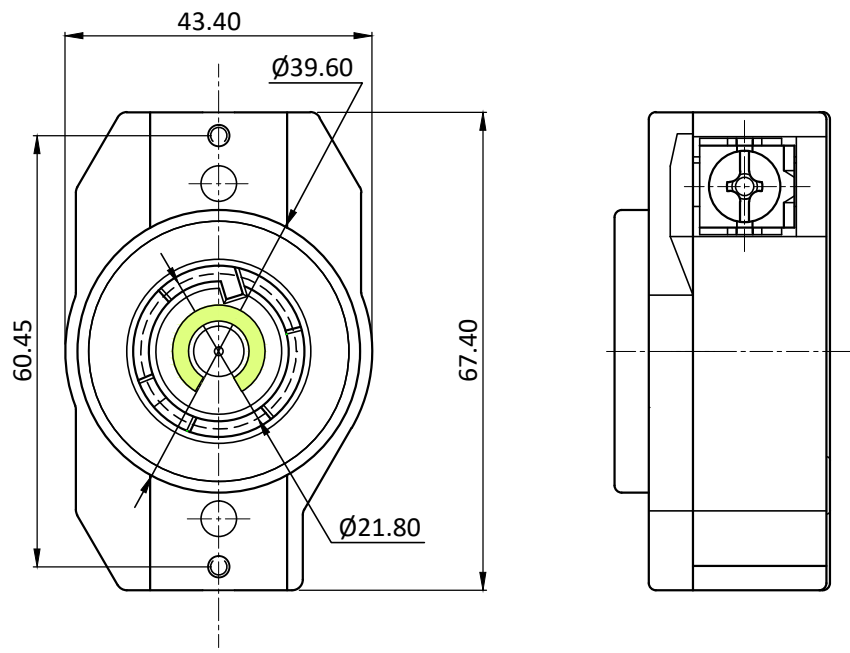


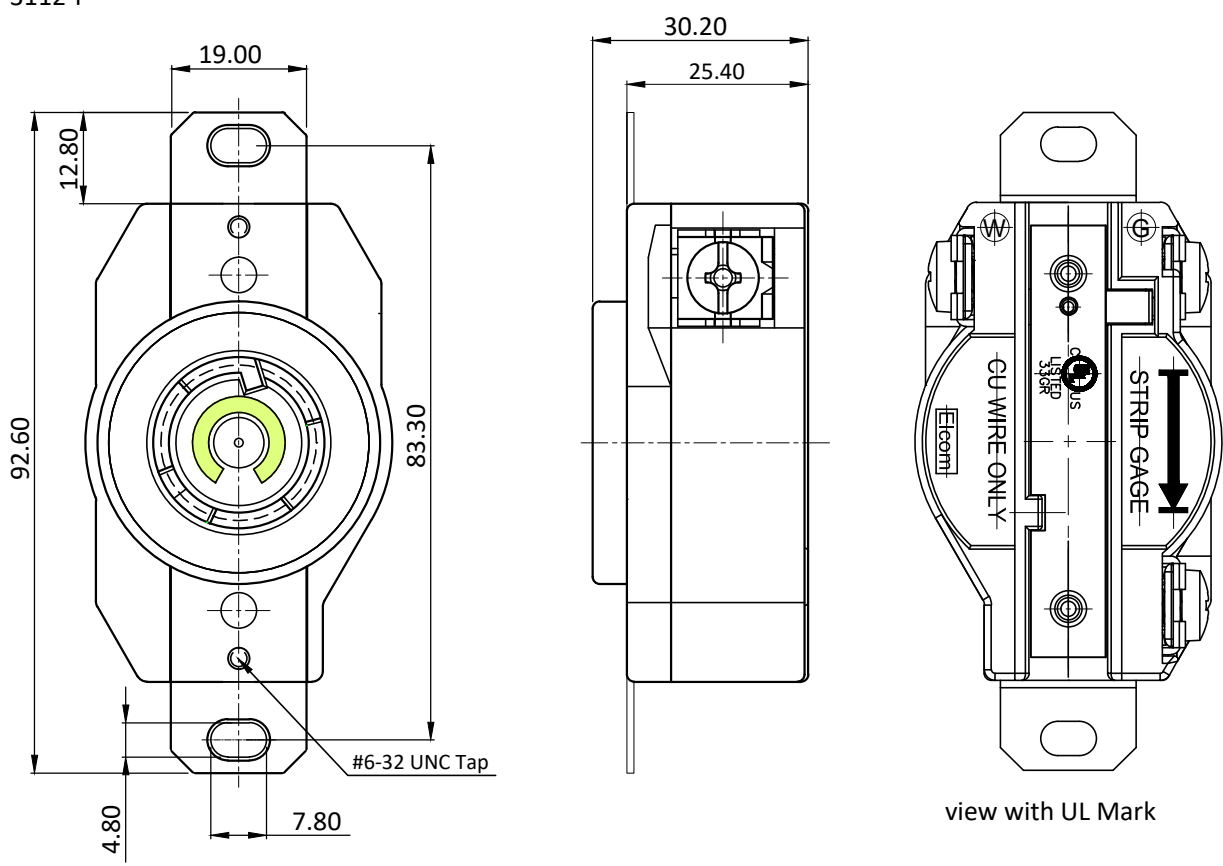
PRODUCT CODE:- **ENO-3112 Series**


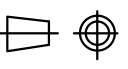
CATEGORY:- **NEMA SOCKET**

BASIC DIMENSIONS:-  
ENO-3112



ENO-3112-F



						APP	05.05.07	SBP	 Plot E-4, Kagal Five Star MIDC, Kagal, Kolhapur, MH - 416236, India Elcom International Pvt. Ltd. www.elcom-in.com	
						CHK	05.05.07	KAK		
						DRN	05.05.07	TRN		
REV	IS	WAS	DATE	SIGN	APP.	BY	DATE	SIGN		
UNSP.TOLERANCE		DIMNS. IN	WT(Gm)	SCALE:-	PROJECTION	SHEET	DRAWING NUMBER			
OVER	-	1	10	mm	Max.	NTS.		1 OF 2	P E N O 2 3 1 1	REVISION
UP TO	±	1	0.2	0.3	0.5	Moulding, plating details as per Bill of Material Unspecified colour is Black, GF:Glass filled.				0

F:ENG-08.00

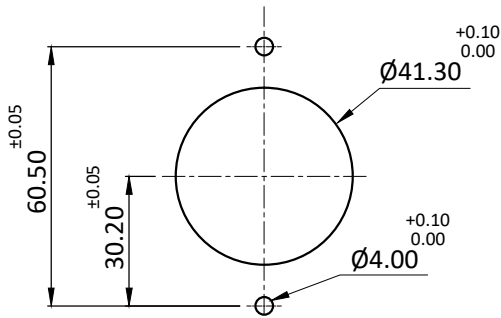
Note: Technical specifications are subject to change without prior notice

Copyright © 2019 by Elcom International Pvt.Ltd, India. All rights reserved

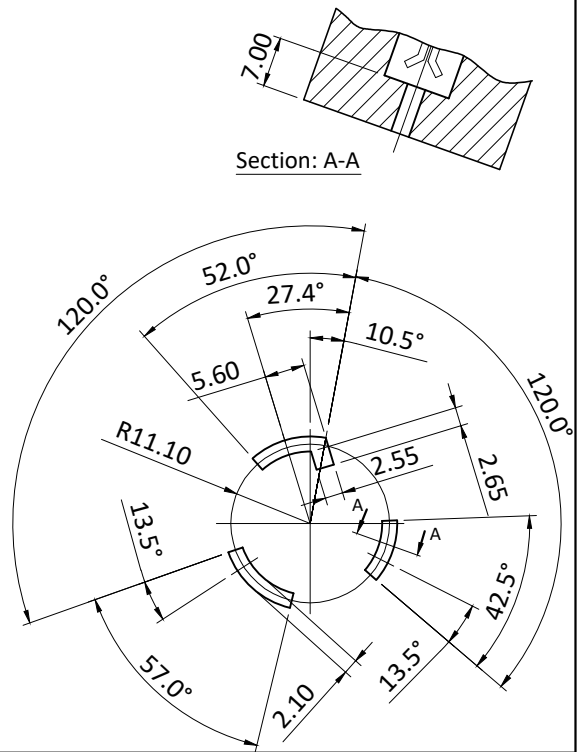
PRODUCT CODE:- **ENO-3112 Series**

CATEGORY:- **NEMA SOCKET**

PANEL CUTOUT:-



NEMA SLOT CONFIGURATION



ORDERING CODE:-

Sr.No.	Twist Lock Type	Code	Approvals
1	Twist Lock, 20A 125V (L5-20R)	ENO-3112	
2	Twist Lock, 20A 125V (L5-20R) with Flange	ENO-3112-F	

SPECIFICATION TABLE:-

SR.NO.	PARAMETER	SPECIFICATION	
1	Connector Type	Twist lock L6-20R type	
2	V/A Rating	250 V, 20 A	
3	Contact Resistance (Initial)	10 mohms max.	
4	Insulation Resistance At 500 V DC	100 Mohms min.	
5	H.V.Break Down Test (For 1-Minute)	2 KVAC	
6	Mounting	Panel, Screw-type	
7	Panel Thickness	--	
8	Terminals	Screw-type #14 to #10 AWG	
9	Permissible Temp.	(a) With/Without Load	0°C TO 65°C
		(b) For Soldering	--
10	Material	(a) Body, Cover	Nylon-6, GF20%, V-2
		(b) Contacts, Terminals	Brass
		(c) Terminal screws	Brass Tightening Torque : 12 Kg-cm min.
11	Reference Standard	UL-498, UL-486E, NEMA WD 6 CAN/CSA C22.2 No.0-M91, CSA C22.2 No.42-99	
12	Approvals	File No.E258604, File No.239539	

: Also available for temp. rating up to 125°C on request (For UL only)

						APP	05.05.07	SBP	Plot E-4, Kagal Five Star MIDC, Kagal, Kolhapur, MH - 416236, India Elcom International Pvt. Ltd. www.elcom-in.com
						CHK	05.05.07	KAK	
						DRN	05.05.07	TRN	
REV	IS	WAS	DATE	SIGN	APP.	BY	DATE	SIGN	
UNSP.TOLERANCE			DIMNS. IN	WT(Gm)	SCALE:-	PROJECTION	SHEET	DRAWING NUMBER	
OVER	-	1	10	mm	Max.	NTS.	2 OF 2	P E N O 2 3 1 1	REVISION
UP TO	±	0.2	0.3	0.5	Moulding, plating details as per Bill of Material Unspecified colour is Black, GF:Glass filled.				0

F:ENG-08.00

Note: Technical specifications are subject to change without prior notice

Copyright © 2019 by Elcom International Pvt.Ltd, India. All rights reserved