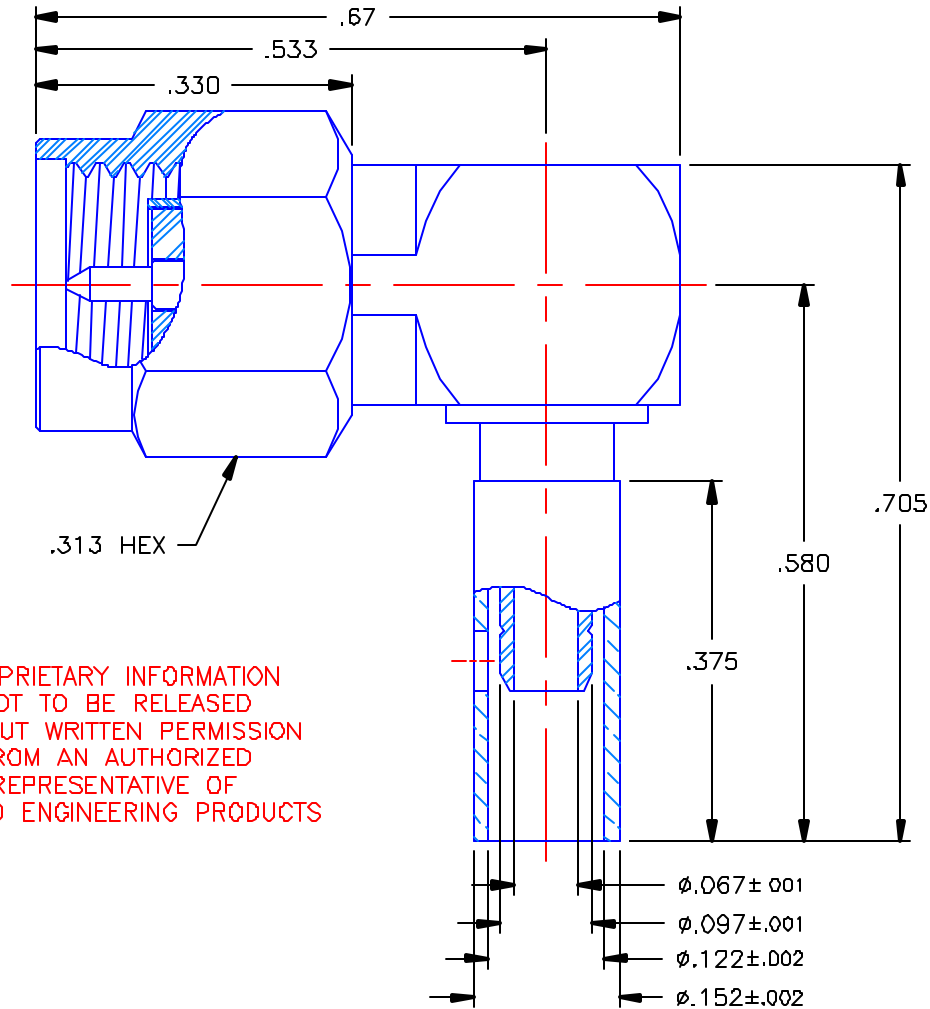


REVISIONS			
REV	DESCRIPTION	DATE	APPROVED
-	INITIAL RELEASE	08/11/00	A.M.



PROPRIETARY INFORMATION  
NOT TO BE RELEASED  
WITHOUT WRITTEN PERMISSION  
FROM AN AUTHORIZED  
REPRESENTATIVE OF  
APPLIED ENGINEERING PRODUCTS


**NOTES:**

**MATERIALS:**

1. BODIES & COUPLING NUT = STAINLESS STEEL PER ASTM A582, ALLOY 303, CONDITION "A".
2. CONTACT & RETAINING RING = BERYLLIUM COPPER PER ASTM B196, ALLOY C17300, TEMPER TD04.
3. INSULATORS = VIRGIN WHITE TEFLON PER ASTM D1710, GRADE 1, TYPE, I, CLASS "A".
4. GASKET = SILICONE RUBBER PER ZZ-R-765, CLASS 2B, GRADE 65-75.
5. CAP = BRASS PER ASTM B16, ALLOY C36000, TEMPER H02.
6. CRIMP SLEEVE = BRASS PER MIL-T-46072, ALLOY 332, ANNEAL TO ROCKWELL F65.

**FINISHES:**

1. BODIES, CAP & CRIMP SLEEVE = NICKEL PLATE PER QQ-N-290, CLASS 1, GRADE G, EXCEPT .0001 TO .0002 THICK OVER .00005 TO .0001 THICK COPPER PER MIL-C-14550.
2. CONTACT = GOLD PLATE PER MIL-G-45204, TYPE II, CLASS 1, GRADE C, OVER .00010 TO .00020 STRESS FREE SULFAMATE NICKEL PER QQ-N-290.
3. COUPLING NUT = PASSIVATE PER QQ-P-35, TYPE VI.

UNLESS OTHERWISE SPECIFIED DIMENSIONS ARE IN INCHES TOLERANCES ON	DWN. A.M.	DATE 08/11/00	 <b>APPLIED ENGINEERING PRODUCTS</b> 104 John W Murphy Dr. New Haven, CT 06513
	CHKD:	DATE 08/11/00	
DECIMAL	ANGLE	D.N.	<b>SMA RIGHT ANGLE PLUG</b> <b>SOLDER/CRIMP SOLDER</b> <b>TO RG-316</b>
		APVD: D.J.C.	
REFERENCE:		MATERIALS & FINISHES: SEE NOTES	SIZE: A FSCM NO.: 19505 DWG NO.: 9043-7533-003 SCALE: 5:1
ORIGINATOR: A.M. DATE: 08/11/00			REV: - SHEET 1 OF 1

9043-7533-003