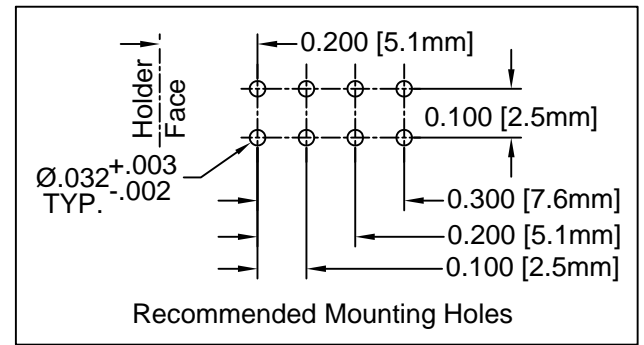
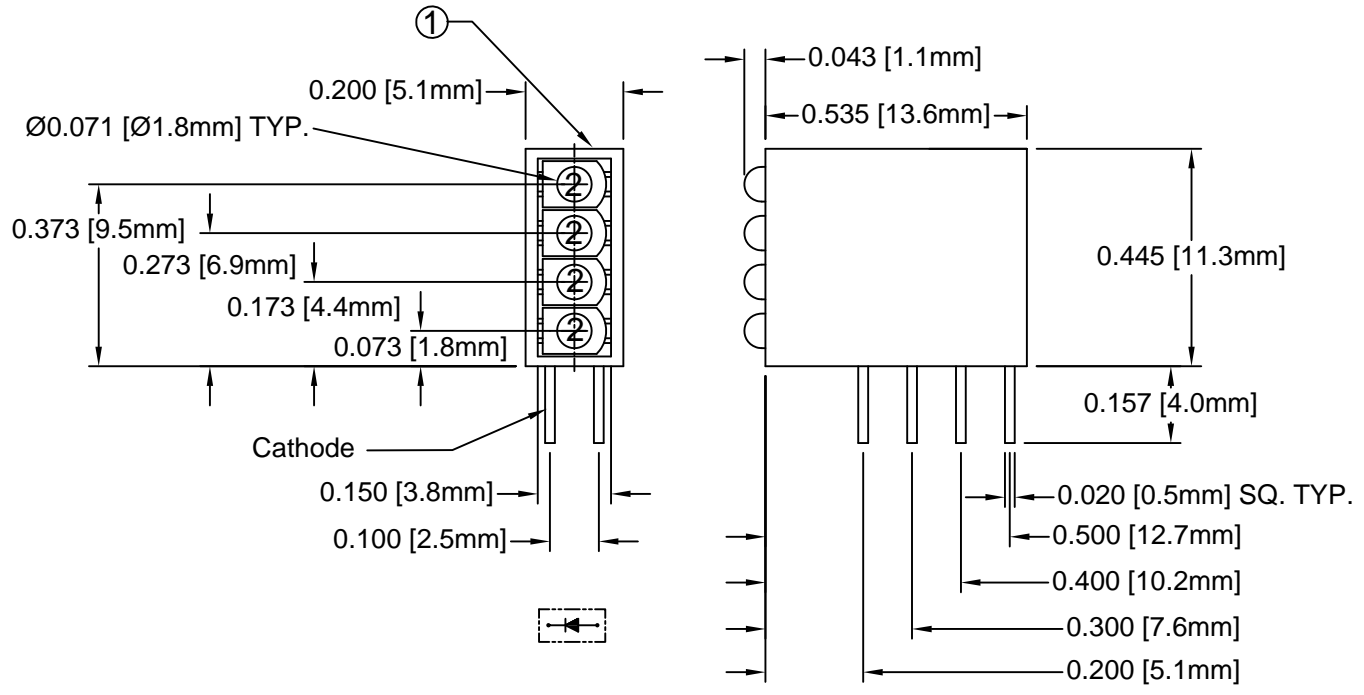


ITEM	QTY	PART NUMBER	PART DESCRIPTION
1	1	H-485C	Quad-Level Sub-Miniature (1.8mm) LED 90° Holder
2	4	1.8YD	Small Footprint, Radial Lead Orientation (1.8mm)


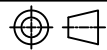
REV.	DESCRIPTION	DATE	APPROVED
A	Engineering Release	01/17/07	M. C.
B	Engineering Update w/o Changes	08/02/16	J. C.



LED Part No.	Chip			Lens Appearance	Absolute Max. Ratings				Electro-Optical Data @ 20mA			Viewing Angle (Deg)
	Material	Peak Wave Length λ_p (nm)	Emitted Color		$\Delta\lambda$ (nm)	Pd (mW)	If (mA)	Peak If (mA)	Vf (V)		Iv (mcd)	
									TYP	MAX	TYP	
1.8YD	GaAsP/GaP	585	YELLOW	35	80	30	150	2.1	2.6	4.5	70	

ABSOLUTE MAXIMUM RATINGS (Ta = 25°C)

- REVERSE VOLTAGE _____ 5V
- REVERSE CURRENT (VR=5V) _____ 100 μ A
- OPERATING TEMPERATURE RANGE _____ -25°C ~ 85°C
- STORAGE TEMPERATURE _____ -30°C ~ 100°C
- LEAD SOLDERING TEMPERATURE (1/16" FROM BODY) _____ 260°C for 5 Seconds

STANDARD TOLERANCE (UNLESS OTHERWISE SPECIFIED)		 4 THOMAS, IRVINE, CA. 92618 TEL: (949) 951-8808 FAX: (949) 951-3974	
DECIMALS	ANGULAR		
.X $\pm .1$	X° $\pm 1^\circ$		
.XX $\pm .02$		 TITLE: Sub-Miniature (1.8mm) RP 90° Quad-Level LED Assembly	
.XXX $\pm .010$			
DESIGNED:	DATE:	PART NO: H485CYD-RP REVISION: B	
D. Beckman	01/17/07		
CHECKED:	DATE:	CAGE CODE : 32559 SHEET # 1 OF 1	
T. Yin	01/17/07	CAD GENERATED DOCUMENT. DO NOT MEASURE DRAWING.	