



## SG-3383

1-channel Current Input to 3-channel Current Output

### Introduction

The SG-3383 is a 1-channel current input to 3-channel current output signal conditioning module that provides 3000 VDC 3-way isolation for input, output and power, together with 8 kV ESD Protection as well as 3000 VDC intra-module isolation.

The SG-3383 includes an LED display that can be used to indicate whether the module is functioning correctly, and also includes VRs (Zero, Span) that can be used to calibrate the output range accuracy. The input bandwidth of the SG-3383 is typically 2.5 kHz.

The SG-3383 can be easily mounted on a standard DIN Rail and can operate in environments where there is a wide temperature range.

### System Specifications

Model	SG-3383
<b>LED Indicators/Display</b>	
System LED Indicator	Yes, 1 as Power/Communication Indicator
I/O LED Indicators	-
7-segment LED Display	-
<b>Isolation</b>	
Intra-module Isolation, Field-to-Logic	3000 Vdc
<b>EMS Protection</b>	
ESD (IEC 61000-4-2)	±8 kV Contact for each Terminal
EFT (IEC 61000-4-4)	±4 kV for Power Line
Surge (IEC 61000-4-5)	-
<b>Power</b>	
Reverse Polarity Protection	Yes
Input Range	+10 ~ +30 VDC
Consumption	2.5 W
<b>Mechanical</b>	
Dimensions (L x W x H)	127 mm x 33 mm x 99 mm
Installation	DIN-Rail or Wall Mounting
<b>Environment</b>	
Operating Temperature	-25 to +75°C
Storage Temperature	-40 to +85°C
Humidity	10 to 95% RH, Non-condensing

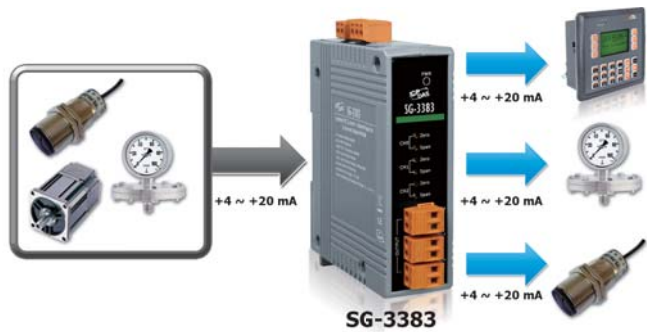
### Features

- 1-channel Current Input to 3-channel Current Output
- 8 kV ESD Protection
- 3-way Isolation: 3000 VDC
- Flexible DIN-Rail Mounting
- Wide Operating Temperature Range: -25 to +75°C



### Applications

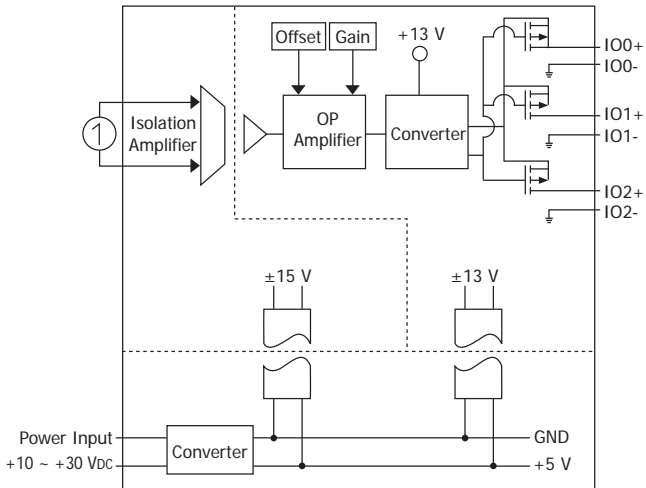
- Building Automation
- Machine Automation
- Remote Diagnosis
- Factory Automation
- Remote Maintenance
- Testing Equipment



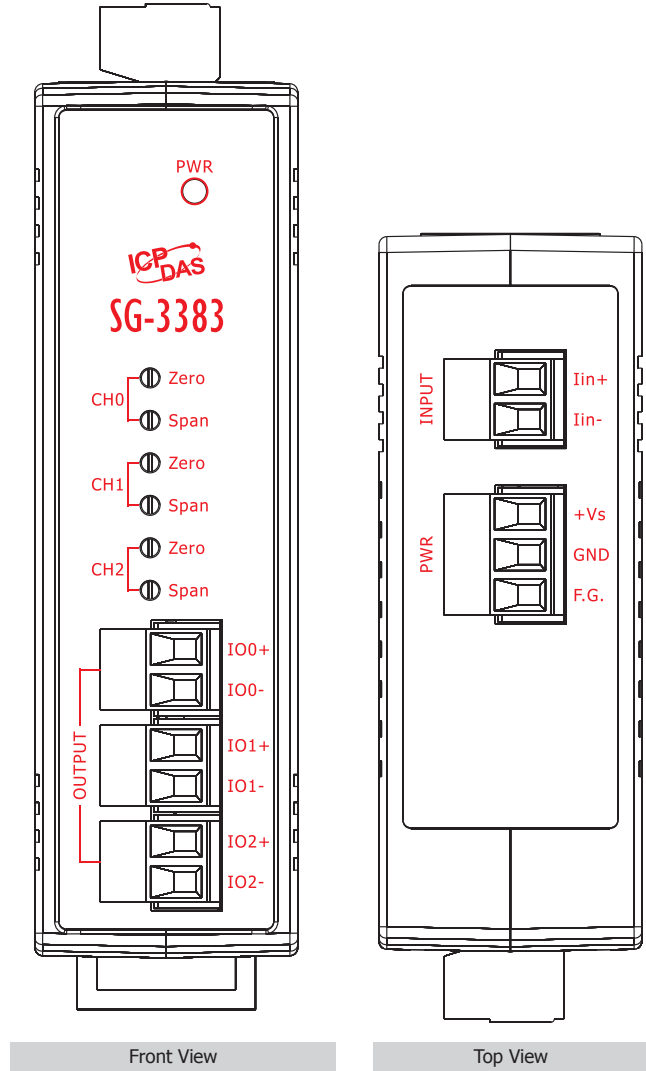
### I/O Specifications

Model	SG-3383
<b>Analog Input</b>	
Channels	1
Range	+4 ~ +20 mA
Input Bandwidth	2.5 kHz
Input Impedance	125 Ω
<b>Analog Output</b>	
Channels	3
Current Output Wiring	Source
Range	+4 ~ +20 mA
Accuracy	±0.1% of FSR (typical)
Current Output Capacity	500 Ω

### Internal I/O Structure

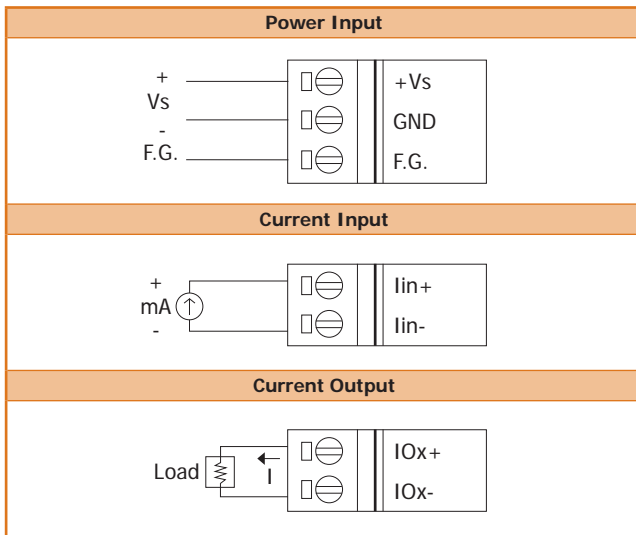


### Pin Assignments

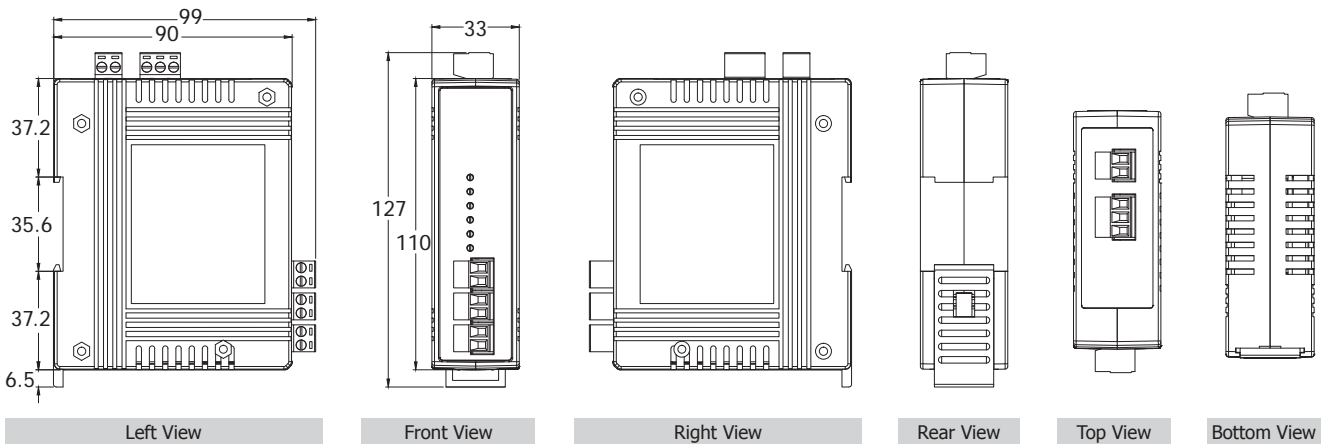


Signal Conditioning Modules

### Wire Connections



### Dimensions (Units: mm)



### Ordering Information

<b>SG-3383 CR</b>	Isolated DC Current 1-channel Input to 3-channel Output Module (Gray Cover) (RoHS)
-------------------	--