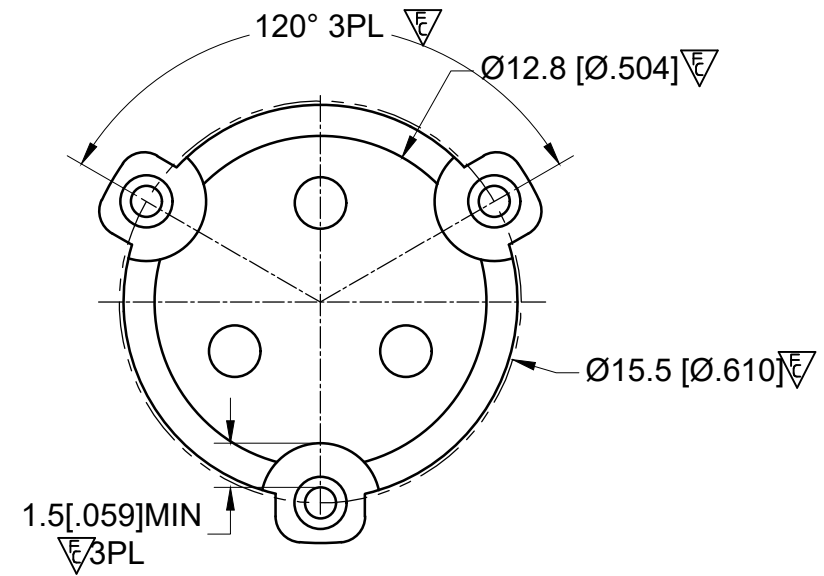
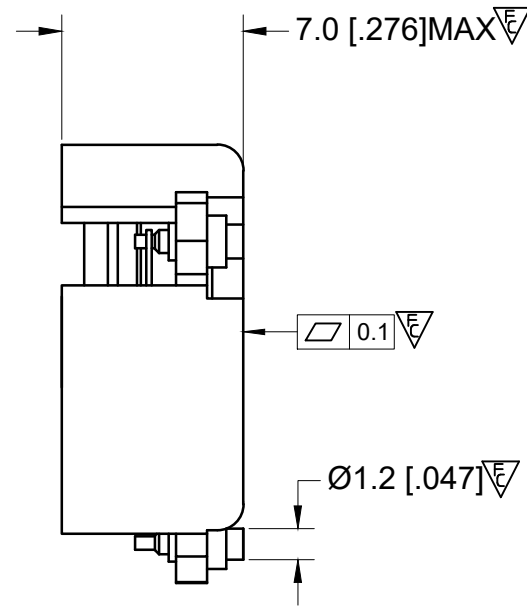
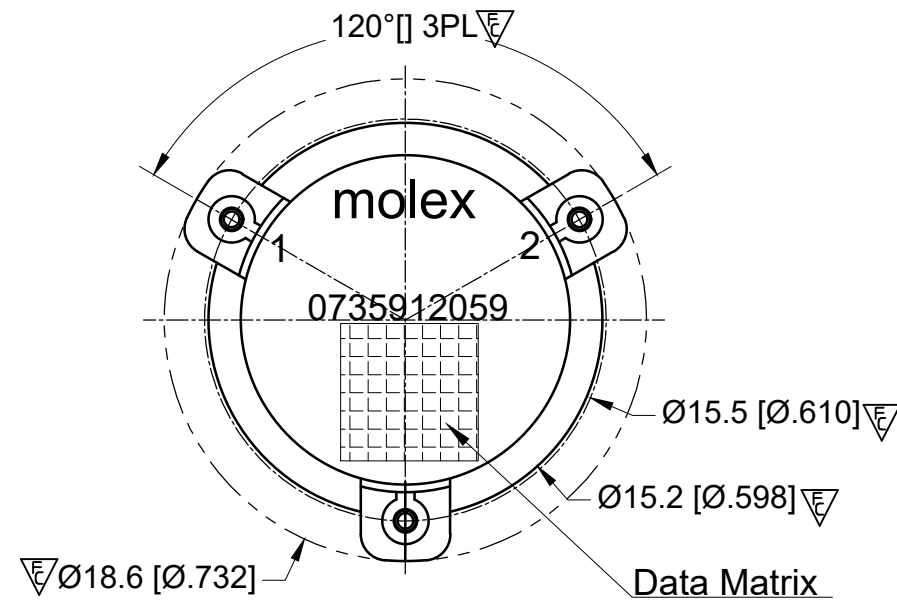
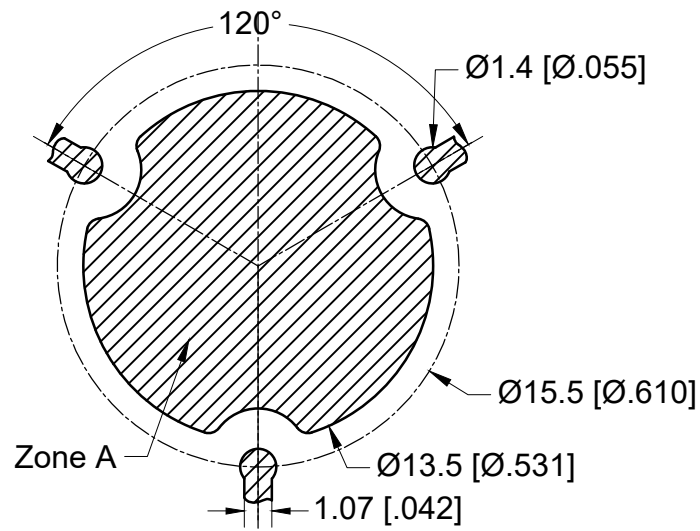
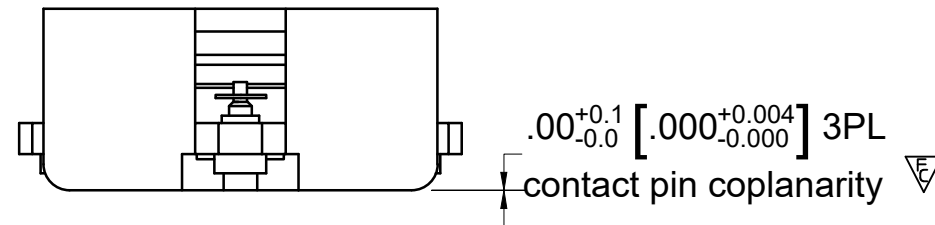


RECOMMENDED LAND PATTERN :

Zone A must be attached to heat sink. Thermal conductivity of intermediate layers between Zone A and heat sink must be better than 0.1 W / [°C x mm].



PCB Material :Rogers RO4350B,0.508mm thickness
trace width 1.07mm wide.



ELECTRICAL SPECIFICATIONS :

- Frequency Range : 2496~2690MHz
- Isolation : 22 dB min
- Return Loss : 22 dB min
- Insertion Loss : 0.25 dB max
- Attenuation (2 x TX) : 20 dB min
- (3 x TX) : 7 dB min
- (N x TX) : 5 dB min
- Average FE/REV Power : 100 W(CW) max
- Peak Power : 1000 W max
- IM3(30W x 2 tones 5M) : -69 dBc max
- Harmonics (2 x TX @ 60W CW) : 60 dBc min
- (3 x TX @ 60W CW) : 60 dBc min
- Operating temperature range : -40 to +105°C
- Storage temperature range : -40 to +125°C
- Direction : CW

MATERIAL :

- BODY : STEEL, SILVER PLATED
- PIN : COPPER , SILVER PLATED

NOTES :

- 1.STANDARD INPUT/OUTPUT IMPEDANCE 50 Ohm
- 2.LEAD FREE, NO Nd MATERIAL, BeO FREE
- 3.THE DIMENSION OF DATA MATRIX IS 5.3X5.3MM INFORMATION INCLUDING WORK ORDER NUMBER-SERIAL NUMBER-MATERIAL NUMBER
- 4.THIS PART COMPLIES WITH ALL RoHS REQUIREMENTS

ENG PART#: 802-249-269-WP040

FUNCTIONAL SYMBOLS	THIS DRAWING CONTAINS INFORMATION THAT IS PROPRIETARY TO MOLEX ELECTRONIC TECHNOLOGIES, LLC AND SHOULD NOT BE USED WITHOUT WRITTEN PERMISSION			CURRENT REV DESC: ----			molex		
	DIMENSION UNITS	SCALE							
▽FA=0	MM	1:1		EC NO: 696580			SMSJ CIRCULATOR/2496~2690MHZ/CW		
▽E=0	GENERAL TOLERANCES (UNLESS SPECIFIED)			DRWN: SREN05 2022/02/21					
▽EP=0		mm	INCH	CHK'D: JLI252 2022/02/23			RESTRICTED PRODUCT CUSTOMER DRAWING		
	4 PLACES	±0.25	±----	APPR: HWANG186 2022/03/01					
DIVISIONAL SYMBOLS				INITIAL REVISION:			DOCUMENT NUMBER		
	3 PLACES	±0.05	±----	DRWN: SREN05 2021/11/12			735912059		
	2 PLACES	±0.13	±----	APPR: HWANG186 2022/03/01			PSD 000 A		
	1 PLACE	±0.25	±----	DRAFT WHERE APPLICABLE MUST REMAIN WITHIN DIMENSIONS			SHEET NUMBER		
	0 PLACES	±0.4	±----	THIRD ANGLE PROJECTION			CUSTOMER		
	ANGULAR TOL ± 1.5 °			DRAWING			SERIES		
				A3-SIZE			MATERIAL NUMBER		
				73591			CUSTOMER		
				0735912059			SHEET NUMBER		
				CUSTOM PART			1 OF 1		