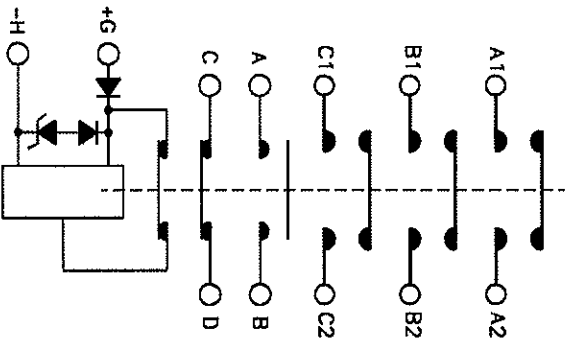


REVISIONS		RELEASED	APPROVED
REV	DESCRIPTION	DATE	
G	40714 FIND 5 WAS W7070BBS	99-10-27	RS
H	46114 REMOVED *LOCATION OPTIONAL* FROM VENT CALL OUT	01/11/14	CC
J	0349-03 ITEM 3 WAS N7038DBO	03/03/21	



CONSTRUCTION
 MAIN CONTACTS
 CONFIGURATION
 VOLTAGE (NOMINAL)
 CURRENT/RESISTIVE
 CURRENT/INDUCTIVE
 INDUCTIVE

GASKET SEALED AND VENTED
 3PST N.O. DOUBLE BREAK
 440 VAC 400 HZ
 75 AMPS
 75 AMPS

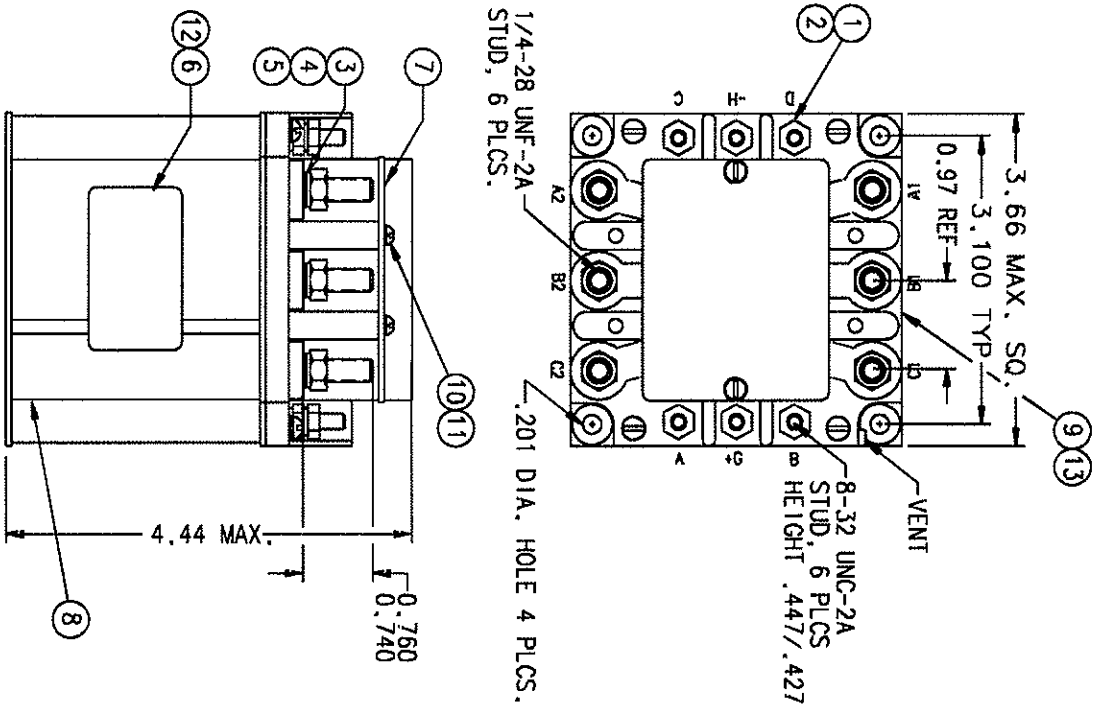
AUXILIARY CONTACTS
 CONFIGURATION
 VOLTAGE
 CURRENT/RESISTIVE
 CURRENT/INDUCTIVE
 INDUCTIVE

COIL DATA
 DUTY CYCLE
 NOMINAL VOLTAGE
 MAX. VOLTAGE
 TRANSIENT SUPPRESSION
 PICKUP VOLTAGE
 DROPOUT VOLTAGE
 COIL RESISTANCE AT 25°C

OPERATE TIMES
 PICK UP
 DROP OUT
 ENVIRONMENTAL
 OPERATING TEMPERATURE
 ALTITUDE OPERATING
 VIBRATION
 SHOCK

LIFE
 ELECTRICAL
 MECHANICAL

WEIGHT
 50,000 CYCLES MINIMUM
 100,000 CYCLES MINIMUM
 3.0 POUNDS MAXIMUM



NOTE: ITEM 7 REMOVED IN TOP VIEW FOR CLARITY

13	1	39529-009	OVERLAY				
12	1	39529-001	OVERLAY				
11	4	L4SPLOSO	LOCKWASHER #4 SPLIT				
10	4	S4037BSO	SCREW 4-40 X 3/8				
9	1	44834-002	WIRING DIAGRAM				
8	1	SAT36A10	PRIMARY ASSEMBLY				
7	2	1S025001	TERMINAL SHIELD				
6	1	16043-001	NAME PLATE				
5	6	51703070	WASHER 1/2 X 17/64 X .031				
4	6	L7SPLOSO	LOCKWASHER 1/4 SPLIT				
3	6	N7038DBN	NUT 1/4-28 X 3/8				
2	6	L8SPLOSO	LOCKWASHER #8 SPLIT				
1	6	N8025JISO	NUT 8-32 X 1/4				

UNLESS OTHERWISE SPECIFIED DIMENSIONS ARE IN INCHES TOLERANCES ARE		DECIMALS OR FRACTIONS	
2 PL. DEC.	.5 PL. DEC.	FRACTIONS	ANGLES
*.06	*.010	*.1*	

DIR BY	CSC	03/04/11
CHK BY	VC	03/09/11
ENGR	BY	03/09/11
MFG	DATE	03/09/11
SIZE	CODE	IDENT
C	74063	

SCALE NONE SHEET

TYCO Electronics
 14 Hartmont Blvd., 175 W. Diamond Street, Waukegan, IL 60087
 CONTACTOR - 3PST N.O.
 75 AMP, 440 VAC, 400 HZ
 SA136A
 REF TYCO P/N 0-1616021-6