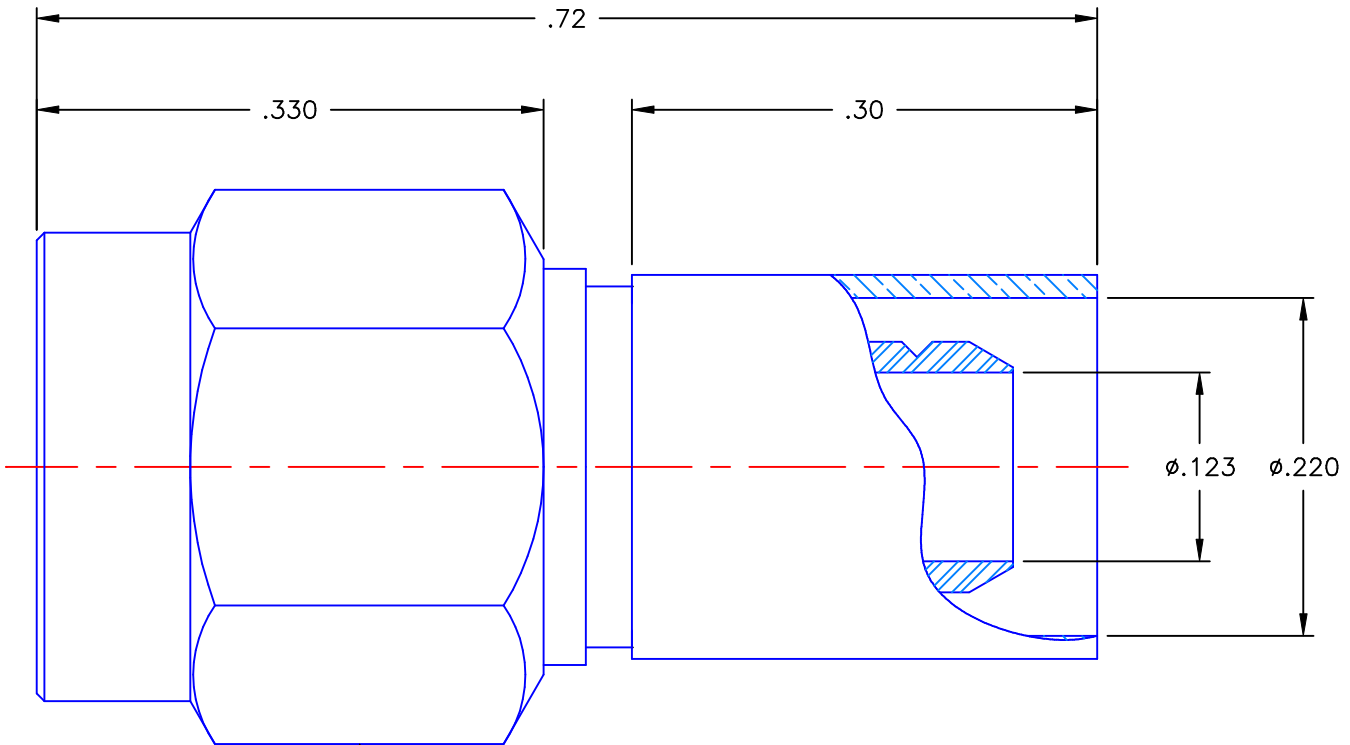


REVISIONS			
REV	DESCRIPTION	DATE	APPROVED
A	INITIAL RELEASE	02/02/10	A.D.M.



NOTES:

.313 HEX

MATERIALS:

1. BODY & COUPLING NUT = STAINLESS STEEL PER ASTM A582, ALLOY 303, CONDITION "A".
2. INSULATOR = VIRGIN WHITE TEFLON PER ASTM D1710, GRADE 1, TYPE I, CLASS "B".
3. CONTACT & RETAINING RING = BERYLLIUM COPPER PER ASTM B196, ALLOY C17300, TEMPER TD04.
4. GASKET = SILICONE RUBBER PER ZZ-R-765, CLASS 2B, GRADE 65-75.
5. CRIMP SLEEVE = SEAMLESS COPPER TUBING PER ASTM B75, TYPE C12000, TEMPER LIGHT ANNEAL O50, EXCEPT YIELD STRENGTH.

FINISHES:

1. BODY & COUPLING NUT = PASSIVATE PER QQ-P-35, TYPE VI.
2. CONTACT = GOLD PLATE PER MIL-G-45204, TYPE II, CLASS 1, GRADE C, OVER .00010 TO .00020 STRESS FREE SULFAMATE NICKEL PER QQ-N-290.
3. CRIMP SLEEVE = NICKEL PLATE PER QQ-N-290, CLASS 1, GRADE G, EXCEPT .0001 TO .0002 THICK OVER .00005 TO .0001 THICK COPPER PER MIL-C-14550.

Property of Radiall Incorporated  
This document cannot be reproduced or communicated to a third party without prior written permission of RADIALL Incorporated.

UNLESS OTHERWISE SPECIFIED DIMENSIONS ARE IN INCHES TOLERANCES ON	DWN:	DATE
	A.D.M.	02/02/10
	CHKD:	DATE
	D.N.	02/02/10
DECIMAL	ANGLE	APVD:
		J.M.
		DATE
		02/02/10

**AEP** APPLIED ENGINEERING PRODUCTS  
a RADIALL company  
104 John W. Murphy Dr.  
New Haven, CT 06513

SMA STRAIGHT PLUG  
CRIMP TYPE  
FOR RG-55 & SIMILAR CABLES

REFERENCE:	MATERIALS & FINISHES:
ORIGINATOR: A.D.M. DATE: 02/02/10	SEE NOTES

SIZE	FSCM NO.	DWG NO.	REV
A	19505	9001-9023-001	A
SCALE 8:1	THIRD ANGLE PROJECTION		SHEET 1 OF 1

9001-9023-001