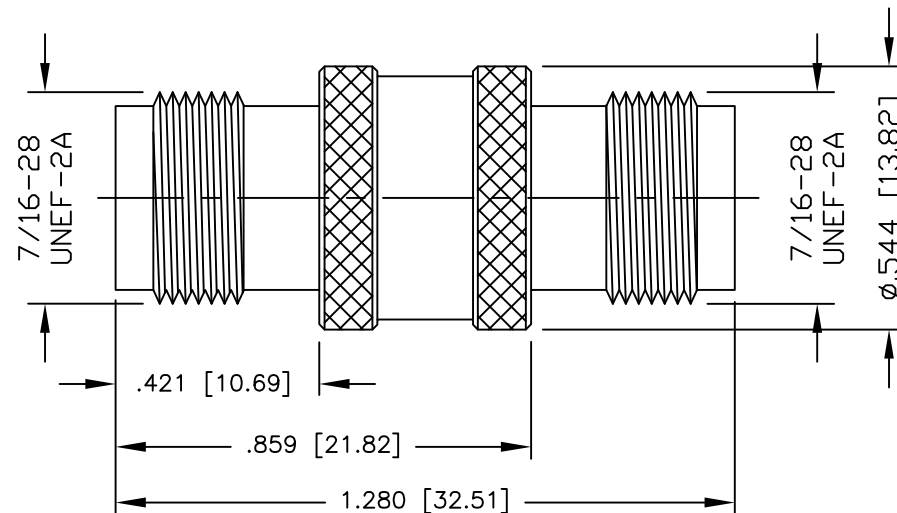


PART NO.

RFT-1225

REV	DESCRIPTION	DWN	DATE	APPROVED
E	UPDATED DWG FORMAT AND SPECS	CZS	12/23/20	JDMc

**SPECIFICATIONS:**

IMPEDANCE: 50 Ohms
 INTERFACE PER MIL-STD-348, SECTION 313.2
 FREQUENCY RANGE: 0-12 GHz
 VSWR:
 0-5 GHz <1:1.25
 5-10 GHz <1:1.4
 10-12 GHz <1:1.55
 WORKING VOLTAGE: 500 VRMS @ SEA LEVEL

#	DESCRIPTION	QTY	MATERIAL	FINISH
4	PRESS FIT WASHER	1	BRASS	NICKEL
3	CONTACT	1	BRASS	GOLD
2	INSULATOR	2	PTFE	NATURAL
1	BODY	1	BRASS	NICKEL

CUSTOMER OUTLINE DRAWING	
ALL DIMENSIONS ARE REFERENCE ONLY	
UNLESS OTHERWISE SPECIFIED: DIMENSIONS ARE IN INCHES AND [MILLIMETERS]	
DRAWN C. ZUÑIGA	12/23/20
CHECKED	
ORJ DRAWN D. MORRIS	02/02/93

**RoHS
COMPLIANT**

PROPRIETARY AND CONFIDENTIAL
 THIS DRAWING CONTAINS
 INFORMATION PROPRIETARY TO
 RF INDUSTRIES, ANY
 UNAUTHORIZED USE OF THIS
 DRAWING IS EXPRESSLY
 PROHIBITED WITHOUT WRITTEN
 PERMISSION FROM RF
 INDUSTRIES. ANY VIOLATION IS
 PUNISHABLE UNDER U.S.
 COPYRIGHT LAWS.

RFconnectors
 DIVISION OF RF INDUSTRIES, LTD.

RFINDUSTRIES.COM
 7610 MIRAMAR RD.
 SAN DIEGO, CA 92126
 (858) 549-6340
 (858) 549-6345 FAX

**TNC JACK TO TNC JACK
ADAPTER**

CABLE GROUP N/A	DWG # RFT-1225	REVISION E
FORMAT A	SCALE NTS	CONTROL # 000000
		SHEET 1 OF 1