

## PL303A Series 3mm LED Right Angle Holder

### Features

- \*Right Angle PCB Indicator
- \*Dual Locating Pins provide stability during soldering
- \*Stand-off prevents Flux entrapment
- \*Housing Material Black Nylon UL94V-2
- \*1 Red LED with Color Diffused Lens used
- \*6.4mm from PCB to Center of LED
- \*RoHS Compliant

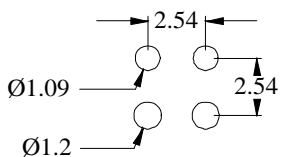
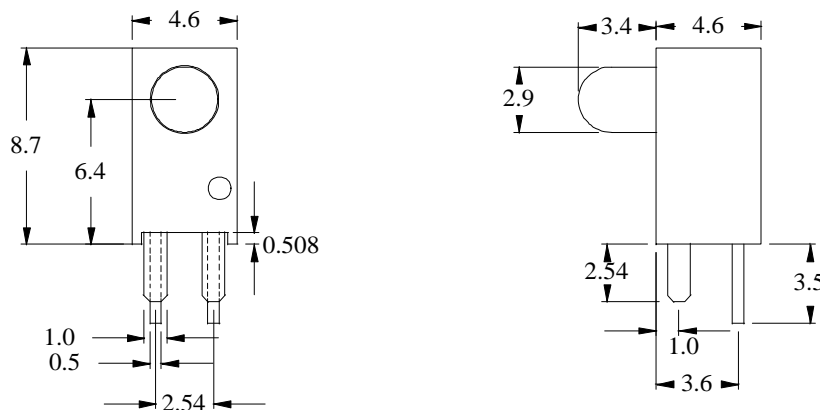
### Absolute Maximum Ratings at T<sub>A</sub> = 25°C

Power Dissipation.....	90mW
Reverse Voltage (<100 μA).....	5.0V
Max Forward Current.....	30mA
Peak Forward Current (1/10 Duty Cycle, 0.1ms Pulse Width).....	100mA
Operating Temperature Range.....	-25°C to +85°C
Storage Temperature Range.....	-40°C to +100°C
Soldering Temperature (1.6 mm below body).....	260°C for 5 seconds

### Electrical & Optical Characteristics at T<sub>A</sub> = 25°C

Part Number	Emitting Color	Chip Material	Peak Wave Length	Dominant Wave Length	Viewing Angle 2θ ½	Forward Voltage @20mA (V)		Luminous Intensity @20mA (mcd)	
						Typ	Max	Min	Typ
Color Diffused Lens			nm	nm	Deg	Typ	Max	Min	Typ
PL303A-1R24	Red	GaP	700	650	55°	2.1	3.0	1.3	3.0

All dimensions are in **Millimeters**. Tolerance is ± 0.25mm unless otherwise specified.



Recommended PCB Layout