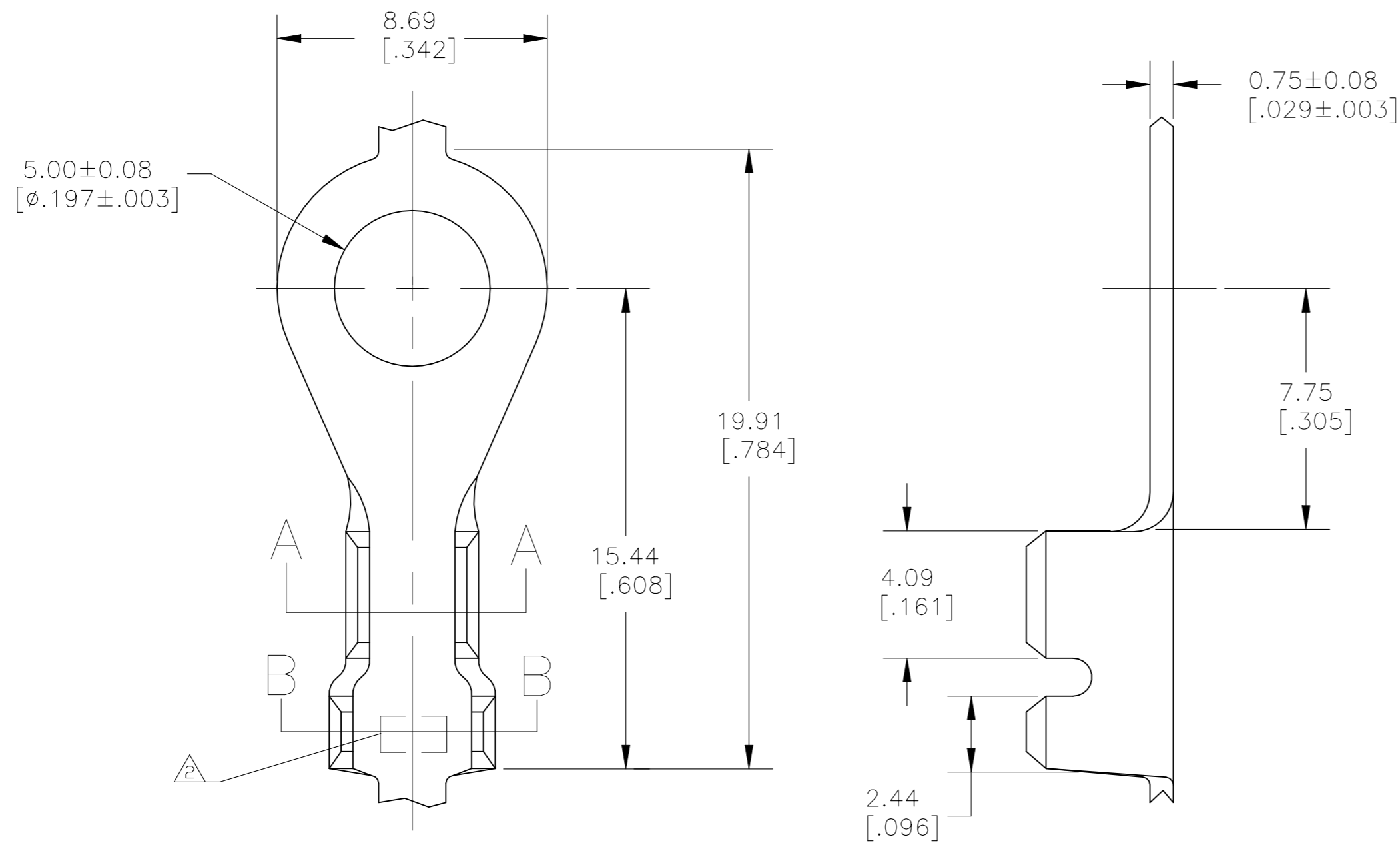
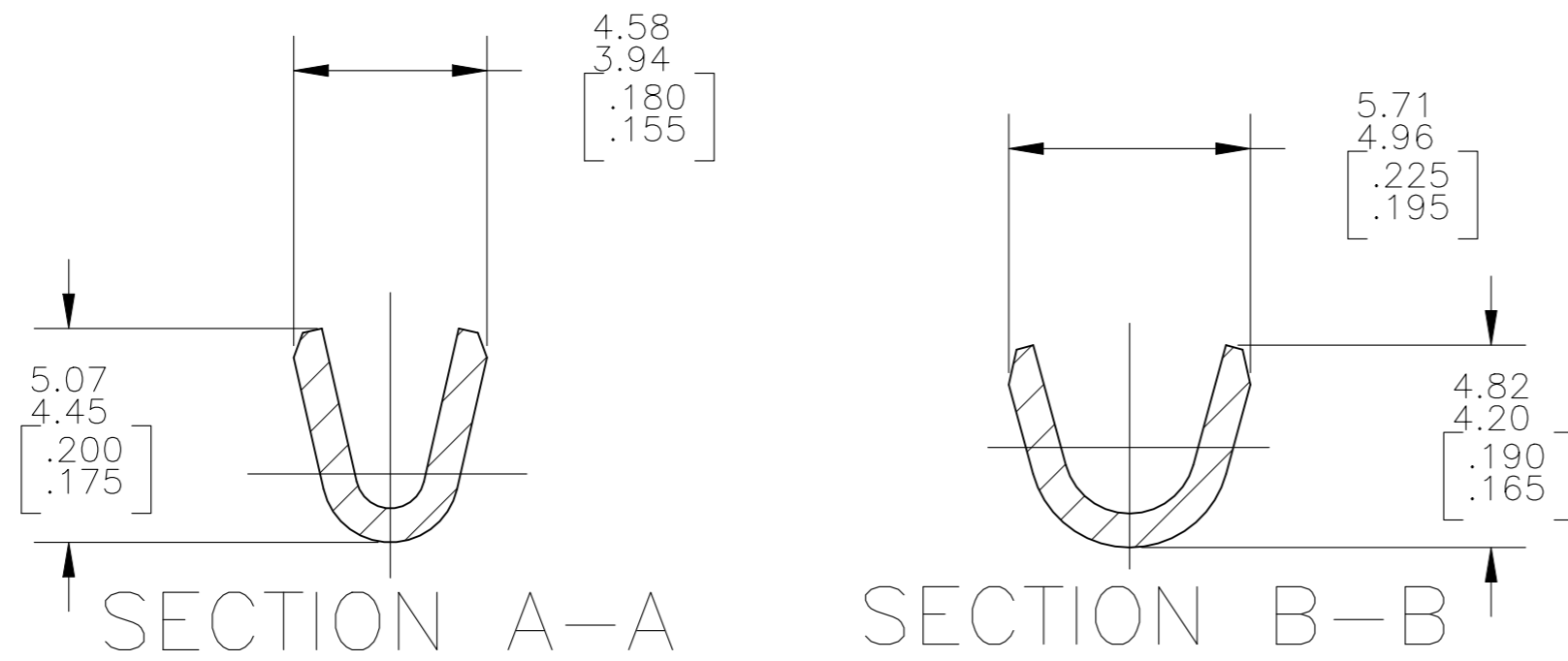


THIS DRAWING IS UNPUBLISHED. RELEASED FOR PUBLICATION  
 © COPYRIGHT BY TYCO ELECTRONICS CORPORATION. ALL RIGHTS RESERVED.

LOC	DIST	REVISIONS			
P	LTR	DESCRIPTION	DATE	DWN	APVD
AF	50	W1	AS PER ECR-23-171103	03APR23	JS RE



- 1 CONTINUOUS STRIP ON REELS.
- 2 AMP/TE STAMP.



0.8-2.0mm <sup>2</sup> [18-14] AWG	2.54-3.56 [.100-.140] DIA	40661
WIRE RANGE	INSULATION RANGE	PART NUMBER

THIS DRAWING IS A CONTROLLED DOCUMENT.		DWN 26JAN2001 MICHAEL S. FEHER	<b>AMP</b> Tyco Electronics Corporation Harrisburg, PA 17105		
DIMENSIONS: mm [ INCHES ]		CHK 04APR2001 DONALD DECKER			
TOLERANCES UNLESS OTHERWISE SPECIFIED:		APVD 04APR2001 DONALD DECKER	NAME #10 STUD, TERMINAL, TONGUE, RING		
0 PLC ± - 1 PLC ± - 2 PLC ± 0.25[.010] 3 PLC ± - 4 PLC ± - ANGLES ± 1°		PRODUCT SPEC -	SIZE A2	CAGE CODE 00779	DRAWING NO C=40661
MATERIAL 082 BRASS		FINISH -	WEIGHT -	SCALE 6:1	SHEET 1 OF 1
CUSTOMER DRAWING			RESTRICTED TO -	REV W1	

40661