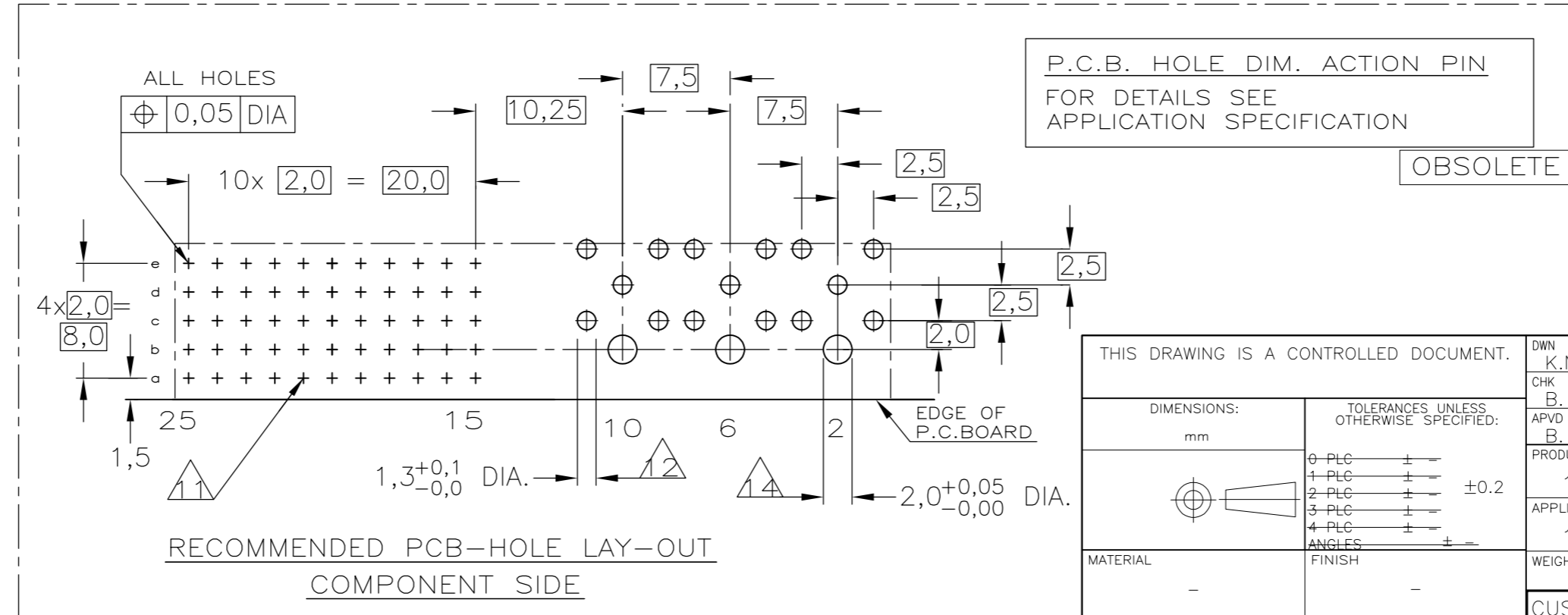
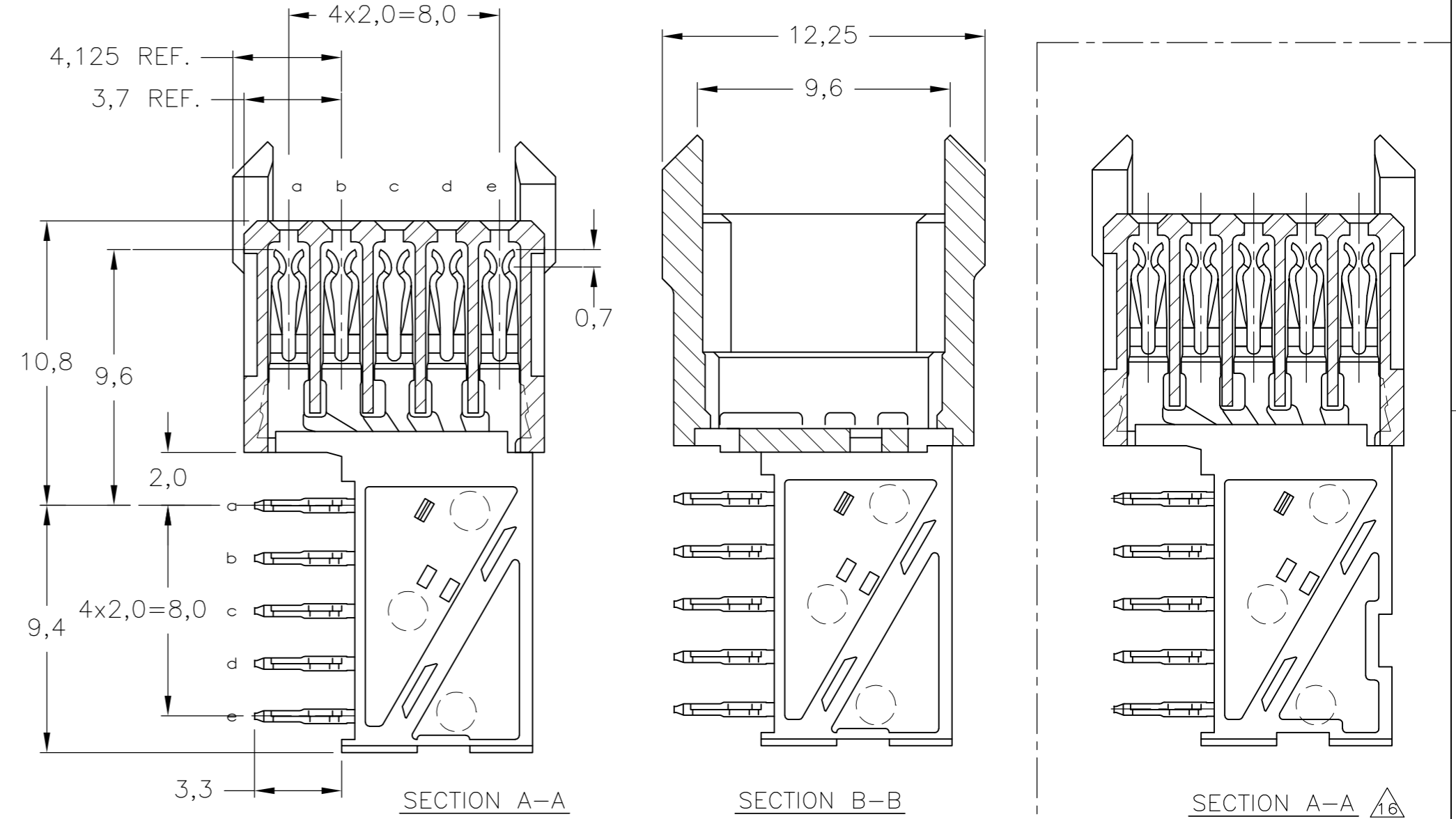
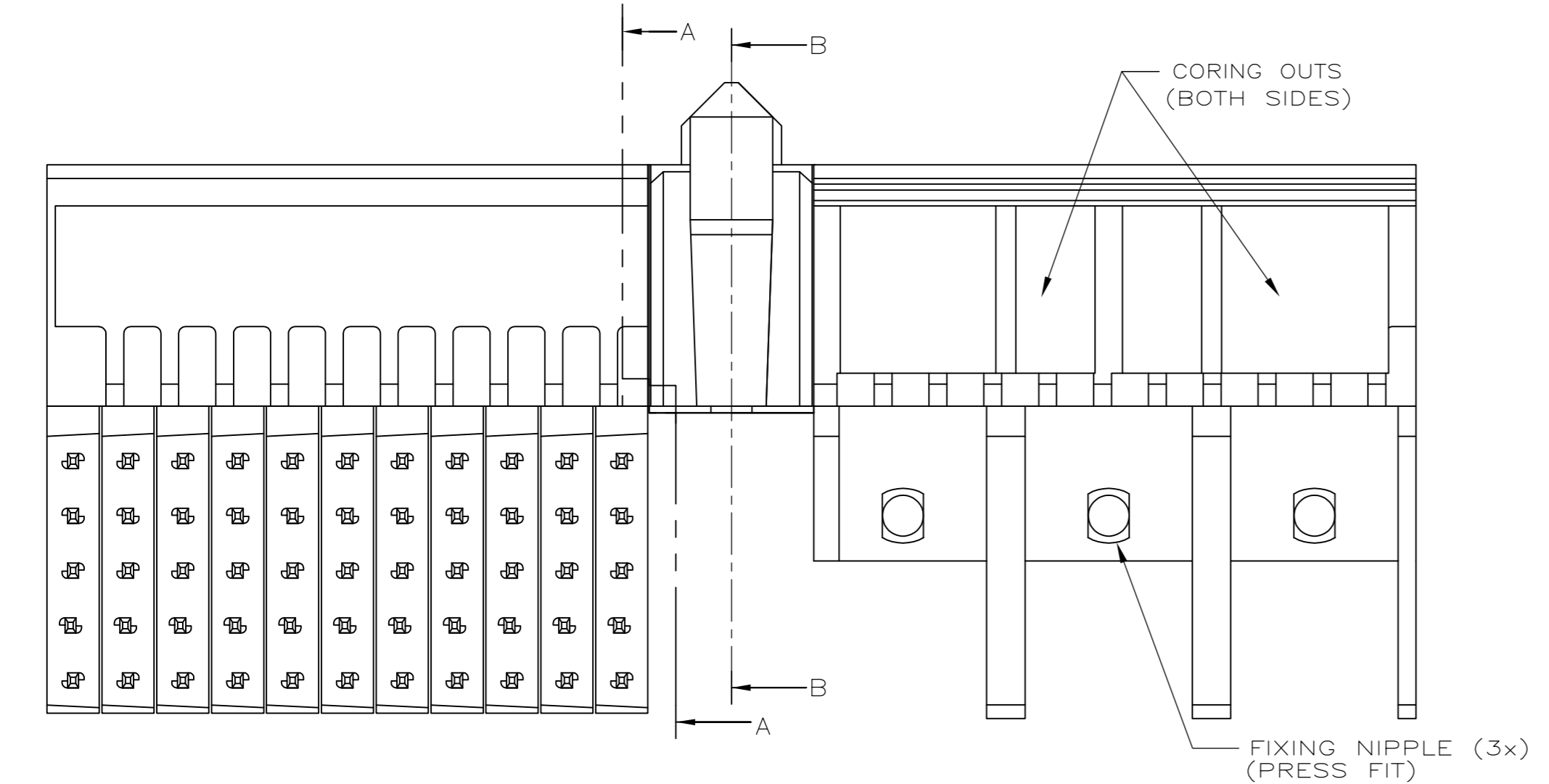
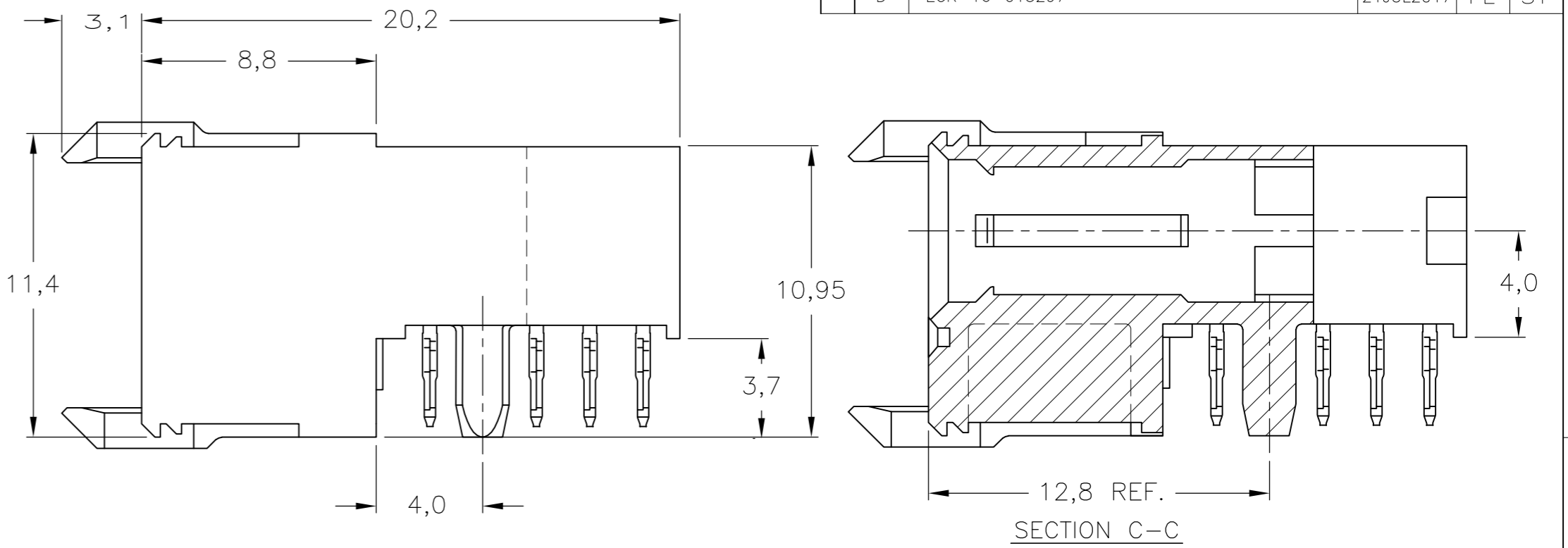
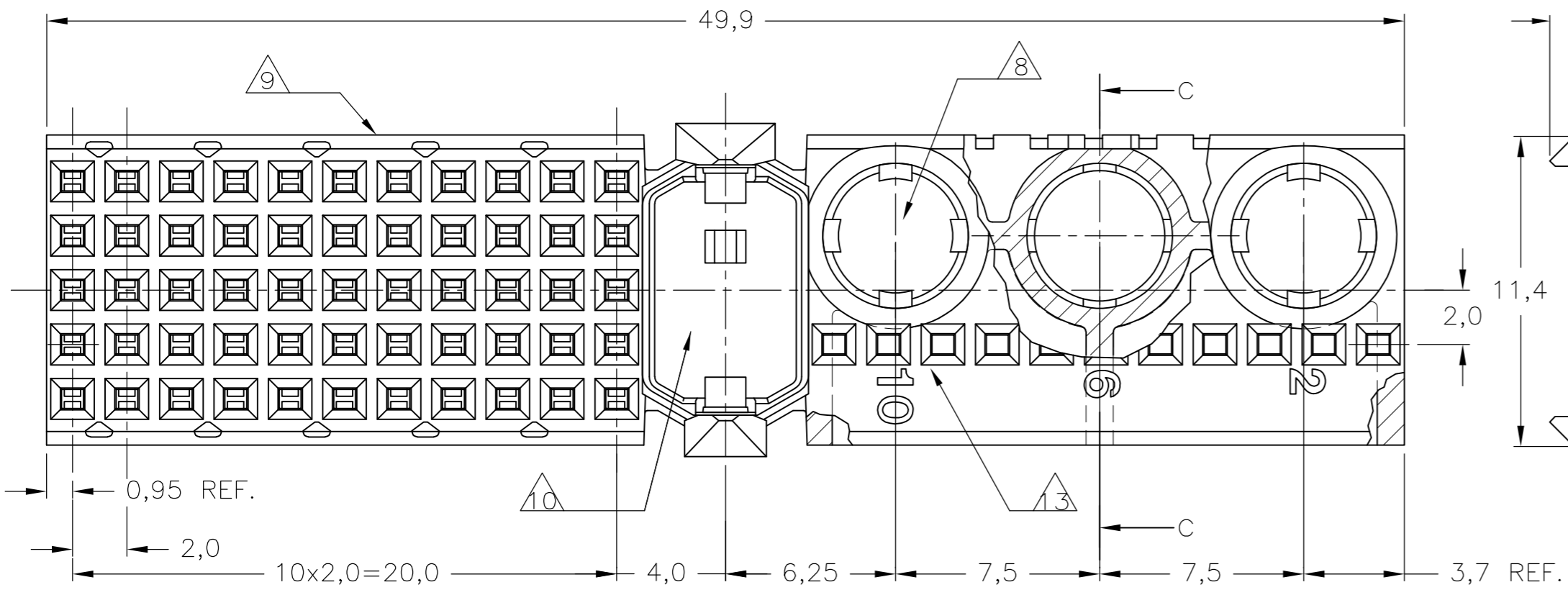


THIS DRAWING IS UNPUBLISHED. RELEASED FOR PUBLICATION
 © COPYRIGHT - TE Connectivity ALL RIGHTS RESERVED.

| REVISIONS | | | | | |
|-----------|-----|---------------|-----------|-----|------|
| P | LTR | DESCRIPTION | DATE | DWN | APVD |
| D | | ECR-16-013297 | 21JUL2017 | FL | SY |



| FINISH | MATERIALS | PARTNUMBER |
|--------|-----------|----------------|
| 2 6 7 | 1 | 1-5100750-9 16 |
| 2 5 7 | 1 | 5100750-9 16 |
| 2 4 | 1 | 5100750-4 16 |
| 2 3 | 1 | 5100750-1 16 |

| | | | | |
|--|------|-------------------------------|--|-----------------------|
| THIS DRAWING IS A CONTROLLED DOCUMENT. | | DWN K.N.KIRAN 10AUG2004 | TE Connectivity | |
| DIMENSIONS: mm | | CHK B. MOOIJ 23SEP2004 | Z-PACK 2mm HM TYPE M FEMALE CONNECTOR | |
| TOLERANCES UNLESS OTHERWISE SPECIFIED: | | APVD B. MOOIJ 23SEP2004 | NAME | |
| 6 PLG ± | ±0.2 | PRODUCT SPEC | 108-19082 | |
| 1 PLG ± | | APPLICATION SPEC | 114-19029 | |
| 2 PLG ± | | WEIGHT | 0.0 | SIZE A2 |
| 3 PLG ± | | CAGE CODE | 00779 | DRAWING NO. C=5100750 |
| 4 PLG ± | | RESTRICTED TO | - | |
| ANGLES ± | | SCALE | 5:1 | SHEET 1 of 2 |
| FINISH | | REV | D | |

THIS DRAWING IS UNPUBLISHED. RELEASED FOR PUBLICATION
 © COPYRIGHT - TE Connectivity ALL RIGHTS RESERVED.

| REVISIONS | | | | |
|-----------|-----|-------------|------|------|
| P | LTR | DESCRIPTION | DATE | APVD |
| - | - | SEE SHEET 1 | - | - |

NOTES:

- 1 MATERIAL HOUSING : GREY GLASSFILLED POLYESTER.
MATERIAL CONTACTS: PHOSPHORBRONZE.
- 2 GENERAL PLATING SPECIFICATION: UNDERPLATING
(ENTIRE CONTACT): 1,27µm NICKEL MIN. AND ACTION
PIN: 0,5µm TIN MIN.
FOR PLATING OF MATING SURFACES SEE APPLICABLE
SPECIFICATION REFERENCE FOR EACH DASH NUMBER.
- 3 CONFORMS TO ALL TESTING ACCORDING IEC 61076-4-101
PERFORMANCE LEVEL 2.
- 4 CONFORMS TO ALL TESTING ACCORDING IEC 61076-4-101
PERFORMANCE LEVEL 1.
- 5 CONNECTOR TESTED AND QUALIFIED AGAINST TELCORDIA GR-1217-CORE QUALITY LEVEL III,
CENTRAL OFFICE APPLICATIONS.
- 6 CONNECTOR TESTED AND QUALIFIED AGAINST TELCORDIA GR-1217-CORE QUALITY LEVEL III,
UNCONTROLLED ENVIRONMENT APPLICATIONS.
- 7 CONNECTOR LUBRICATED WITH TELCORDIA GR-1217-CORE APPROVED LUBRICANT.
- 8 CONTACT CAVITIES (3x) SUITABLE FOR 4,8 DIA. HIGH CURRENT,
HIGH FREQUENCY OR FIBRE OPTIC CONTACTS AS PER DIN 41626
(SEE ALSO NOTE 12).
- 9 CONNECTOR PRINTED WITH PARTNUMBER AND DATECODE.
THE MARKING CAN APPEAR ON THE FRONT SIDE OR ON THE BACK SIDE.
- 10 AREA RESERVED FOR KEYING PART, BASIC P/N 100526.
- 11 PLATED-THROUGH HOLES AT 2x2mm SQUARE GRID (55 HOLES).
- 12 1,3 DIA. PLATED-THROUGH HOLES (15x) CAN BE OMITTED
IF SPECIAL CONTACTS WITH CABLE CONNECTION OR FIBRE
OPTIC CONTACTS ARE USED.
- 13 THIS ROW OF 11 CAVITIES (B1 TO B11) FOR
CONNECTOR ASSEMBLY PURPOSE ONLY.
- 14 NOT PLATED-THROUGH HOLES (3x).
- 15 FITS WITH INTEGRATED GROUND RETURN UPPERSHIELD,
BASIC P.N. 5352111 AND INTEGRATED GROUND
RETURN LOWERSHIELD, BASIC P.N. 5352112
- 16 CONNECTOR ASSEMBLED WITH REDESIGNED CONTACTS.
CONTACTS HAVE A CORING-OUT IN THE PLASTIC.
- 17 OBSOLETE PARTS: OBSOLETE CIS STREAMLINING PER D.RENAUD/D.SINISI

| | | | | | | | | | | | | | | | | | | | | | | |
|--|---|-------------------------------|--|--------------------|-------|---|---|-------|---|---|-------|---|---|-------|---|---|--------|---|---|---------------------------|--------------------|--|
| THIS DRAWING IS A CONTROLLED DOCUMENT. | | DWN K.N.KIRAN 10AUG2004 | TE TE Connectivity | | | | | | | | | | | | | | | | | | | |
| DIMENSIONS: mm | | CHK B. MOOIJ 23SEP2004 | | | | | | | | | | | | | | | | | | | | |
| TOLERANCES UNLESS OTHERWISE SPECIFIED: | | APVD B. MOOIJ 23SEP2004 | NAME Z-PACK 2mm HM TYPE M FEMALE CONNECTOR | | | | | | | | | | | | | | | | | | | |
| <table border="0"> <tr><td>0-PLC</td><td>±</td><td>±</td></tr> <tr><td>1-PLC</td><td>±</td><td>±</td></tr> <tr><td>2-PLC</td><td>±</td><td>±</td></tr> <tr><td>3-PLC</td><td>±</td><td>±</td></tr> <tr><td>4-PLC</td><td>±</td><td>±</td></tr> <tr><td>ANGLES</td><td>±</td><td>±</td></tr> </table> | | 0-PLC | ± | ± | 1-PLC | ± | ± | 2-PLC | ± | ± | 3-PLC | ± | ± | 4-PLC | ± | ± | ANGLES | ± | ± | PRODUCT SPEC 108-19082 | RESTRICTED TO - | |
| 0-PLC | ± | ± | | | | | | | | | | | | | | | | | | | | |
| 1-PLC | ± | ± | | | | | | | | | | | | | | | | | | | | |
| 2-PLC | ± | ± | | | | | | | | | | | | | | | | | | | | |
| 3-PLC | ± | ± | | | | | | | | | | | | | | | | | | | | |
| 4-PLC | ± | ± | | | | | | | | | | | | | | | | | | | | |
| ANGLES | ± | ± | | | | | | | | | | | | | | | | | | | | |
| MATERIAL | | APPLICATION SPEC 114-19029 | SIZE A2 | CAGE CODE 00779 | | | | | | | | | | | | | | | | | | |
| FINISH | | WEIGHT - | DRAWING NO C=5100750 | | | | | | | | | | | | | | | | | | | |
| | | CUSTOMER DRAWING | | SCALE 5:1 | | | | | | | | | | | | | | | | | | |
| | | | | SHEET 2 of 2 | | | | | | | | | | | | | | | | | | |
| | | | | REV D | | | | | | | | | | | | | | | | | | |