



VSP2101

Speed+PLUS™ CCD SIGNAL PROCESSOR For Digital Cameras

FEATURES

- **CCD SIGNAL PROCESSING:**
Correlated Double Sampling
Black Level Clamping
-2 to +34dB Gain Ranging
High SNR: 53dB
- **10-BIT A/D CONVERSION:**
Up to 27MHz Conversion Rate
No Missing Codes
- **PORTABLE OPERATION:**
Low Voltage: 2.7V to 3.6V
Low Power: 190mW at 3.0V
- **LOW POWER: 160mW at 2.7V**
- **POWER-DOWN MODE: 18mW**

APPLICATIONS

- VIDEO CAMERAS
- DIGITAL STILL CAMERAS
- PC CAMERAS
- SECURITY CAMERAS

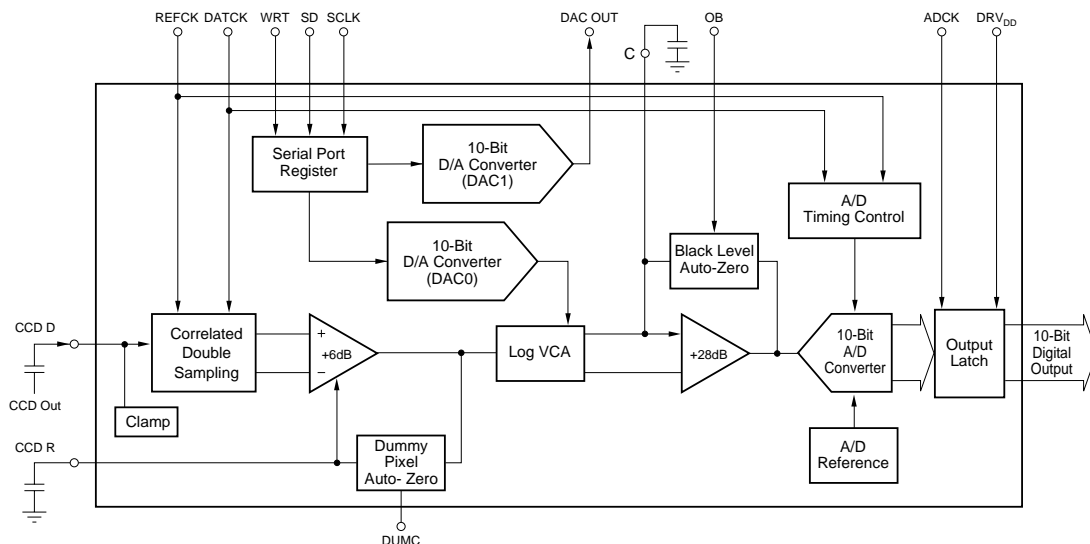
DESCRIPTION

The VSP2101Y is a complete digital camera IC, providing signal conditioning and 10-bit analog-to-digital conversion for the output of a CCD array.

The primary CCD channel provides correlated double sampling to extract the video information from the pixels, -2dB to +34dB gain ranging with digital control for varying illumination conditions, and black level clamping for an accurate black reference.

Input signal clamping and offset correction of the CDS is also performed. The stable gain control is linear in dB. Additionally, the black level is quickly recovered after gain change. An on-chip general purpose 10-bit digital-to-analog converter allows you to obtain analog control voltage for iris control.

The VSP2101Y is available in a 48-lead LQFP package and operates from a single +3V supply.



International Airport Industrial Park • Mailing Address: PO Box 11400, Tucson, AZ 85734 • Street Address: 6730 S. Tucson Blvd., Tucson, AZ 85706 • Tel: (520) 746-1111
Twx: 910-952-1111 • Internet: <http://www.burr-brown.com/> • Cable: BBRCORP • Telex: 066-6491 • FAX: (520) 889-1510 • Immediate Product Info: (800) 548-6132

SPECIFICATIONS

At $T_A = +25^\circ\text{C}$, all power supply voltages = +3.0V, and conversion rate = 18MHz, unless otherwise specified.

PARAMETER	CONDITIONS	VSP2101Y			UNITS
		MIN	TYP	MAX	
RESOLUTION			10		Bits
DIGITAL INPUT Logic Family Logic Levels Logic Currents A/D Clock Duty Cycle Input Capacitance	Logic HI Logic LO Logic HI, $V_{IN} = +3V$ Logic LO, $V_{IN} = 0V$	2.5	CMOS	+0.4 10 10	V V μA μA % pF
DIGITAL OUTPUT Logic Family Logic Levels	Logic HI, $C_L = 10\text{pF}$ Logic LO, $C_L = 10\text{pF}$	2.5	CMOS	+0.4	V V
ANALOG OUTPUT General Purpose D/A Converter Output Minimum Output Voltage Maximum Output Voltage DAC Settling Time	Control Data = 1023 Control Data = 0		0.3 2.4 1.0		V V μs
TRANSFER CHARACTERISTICS Differential Non-Linearity Integral Non-Linearity No Missing Codes Signal Settling Time Conversion Rate Data Latency Signal-to-Noise Ratio ⁽¹⁾ CCD Offset Correction Range Black Clamp Level	Black to Full-Scale Change to 1/4 LSB into A/D Grounded Input Cap, Maximum Gain	500kHz	± 0.5 2.0 Guaranteed 5.5 53 ± 150 32	110 27	LSB LSB ns MHz Clocks dB mV LSB
CDS Data Settling Time to $\pm 0.1\%$ for FS Change with $R_S = 40$ Input Signal Level for FS Out Input Capacitance Input Time Constant	From Leading Edge of DATCK Minimum Gain DATCK LOW	600	11 20 300		ns mV pF ps
INPUT CLAMP Clamp-On Resistance Clamp Level			3.3 1.2		k Ω V
GAIN CONTROL CHARACTERISTICS Gain, max Gain, min Gain Control Linearity Gain Control Settling Time	Control Data = 0 Control Data = 1023	32	34 -2 ± 1.0 10		dB dB dB μs
POWER SUPPLY Rated Voltage Quiescent Current Power Dissipation Power-Down Mode		+2.7	+3.0 63 190 18	+3.6	V mA mW mW
TEMPERATURE RANGE Specified Range Thermal Resistance, θ_{JA} 48-Lead LQFP	Ambient	-25		+85	$^\circ\text{C}$ $^\circ\text{C/W}$

NOTE: (1) SNR = $20\log$ (full-scale voltage/rms noise).

The information provided herein is believed to be reliable; however, BURR-BROWN assumes no responsibility for inaccuracies or omissions. BURR-BROWN assumes no responsibility for the use of this information, and all use of such information shall be entirely at the user's own risk. Prices and specifications are subject to change without notice. No patent rights or licenses to any of the circuits described herein are implied or granted to any third party. BURR-BROWN does not authorize or warrant any BURR-BROWN product for use in life support devices and/or systems.

ABSOLUTE MAXIMUM RATINGS

Power Supply (+V _S)	+6V
Analog Input	-0.3V to (+V _S +0.3V)
Logic Input	-0.3V to (+V _S +0.3V)
Case Temperature	+100°C
Junction Temperature	+150°C
Storage Temperature	-40°C to +150°C



ELECTROSTATIC DISCHARGE SENSITIVITY

This integrated circuit can be damaged by ESD. Burr-Brown recommends that all integrated circuits be handled with appropriate precautions. Failure to observe proper handling and installation procedures can cause damage.

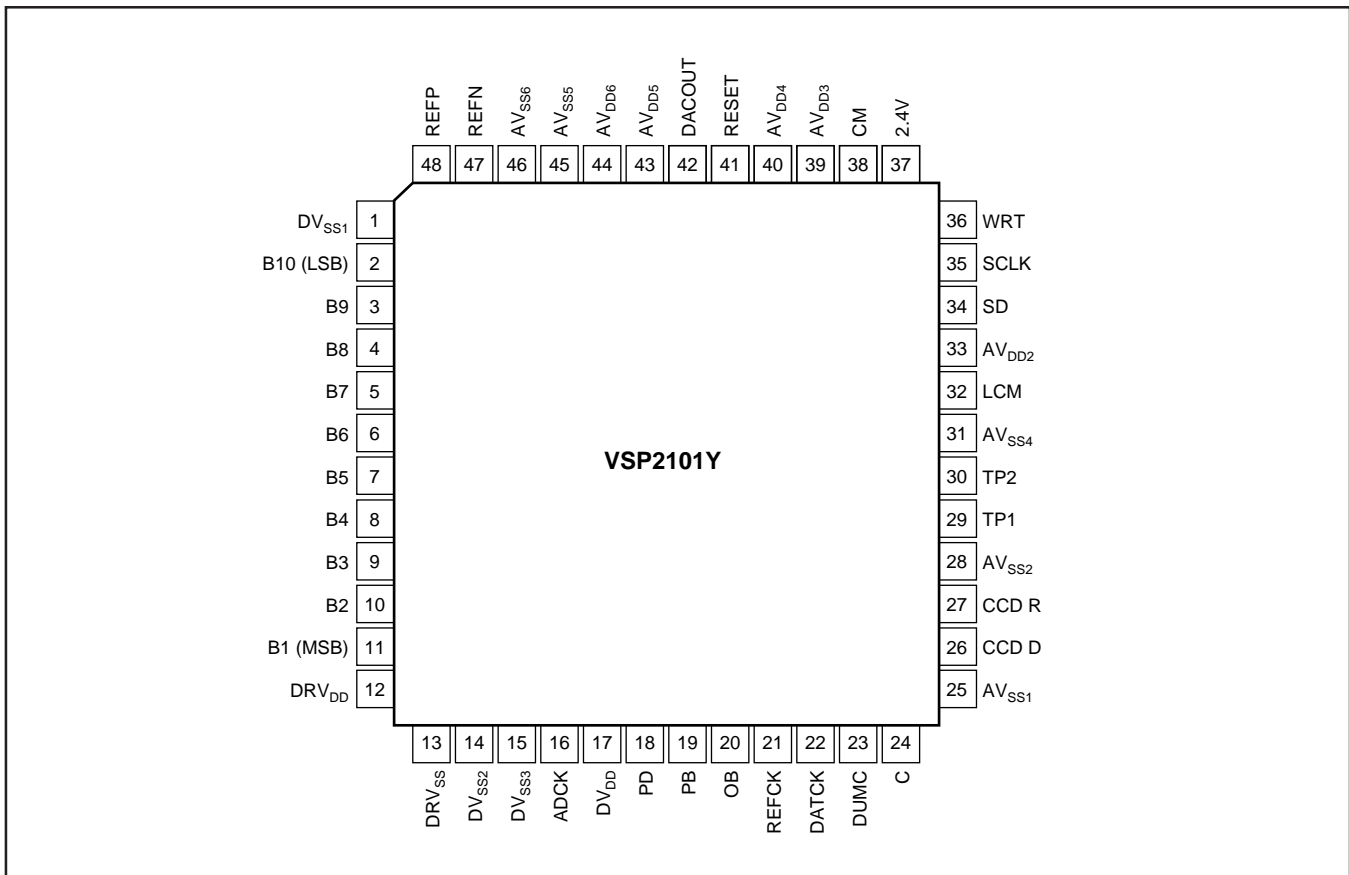
ESD damage can range from subtle performance degradation to complete device failure. Precision integrated circuits may be more susceptible to damage because very small parametric changes could cause the device not to meet its published specifications.

PACKAGE/ORDERING INFORMATION

PRODUCT	PACKAGE	PACKAGE DRAWING NUMBER ⁽¹⁾	SPECIFIED TEMPERATURE RANGE	PACKAGE MARKING	ORDERING NUMBER ⁽²⁾	TRANSPORT MEDIA
VSP2101Y "	48-Lead LQFP "	340 "	-25°C to +85°C "	VSP2101Y "	VSP2101Y VSP2101Y/2K	50-Piece Tray Tape and Reel

NOTES: (1) For detailed drawing and dimension table, please see end of data sheet, or Appendix C of Burr-Brown IC Data Book. (2) Models with a slash (/) are available only in Tape and Reel in the quantities indicated (e.g., /2K indicates 2000 devices per reel). Ordering 2000 pieces of "VSP2101Y/2K" will get a single 1000-piece Tape and Reel.

PIN CONFIGURATION



PIN DESCRIPTIONS

PIN	DESIGNATOR	DESCRIPTION	PIN	DESIGNATOR	DESCRIPTION
1	DV _{SS1}	Digital Ground	24	C	Capacitor for Optical Feedback Loop
2	B10 (LSB)	Bit 10, ADC Output, Least Significant Bit	25	AV _{SS1}	Analog Ground
3	B9	Bit 9, ADC Output	26	CCD D	CCD Signal Input
4	B8	Bit 8, ADC Output	27	CCD R	Capacitor for Dummy Feedback Loop
5	B7	Bit 7, ADC Output	28	AV _{SS2}	Analog Ground
6	B6	Bit 6, ADC Output	29	TP1	Test Pin 1, Open
7	B5	Bit 5, ADC Output	30	TP2	Test Pin 2, Open
8	B4	Bit 4, ADC Output	31	AV _{SS4}	Analog Ground
9	B3	Bit 3, ADC Output	32	LCM	Attenuator Common-Mode Bypass
10	B2	Bit 2, ADC Output	33	AV _{DD2}	Analog Power Supply
11	B1 (MSB)	Bit 1, ADC Output, Most Significant Bit	34	SD	Serial Data Input for D/A Converters
12	DRV _{DD}	Digital Power Supply for Digital Outputs (B1-B10)	35	SCLK	Clock for Serial Data Input
13	DRV _{SS}	Digital Ground for Digital Outputs (B1-B10)	36	WRT	Write Pulse for Serial Data Input, Rising Edge Trigger
14	DV _{SS2}	Digital Ground	37	2.4V	Attenuator Ladder Bypass
15	DV _{SS3}	Digital Ground	38	CM	ADC Common-Mode Voltage
16	ADCK	Clock for Digital Data Output Latch	39	AV _{DD3}	Analog Power Supply
17	DV _{DD}	Digital Power Supply	40	AV _{DD4}	Analog Power Supply
18	PD	Power Down: LOW = Normal Operation HIGH = Reduced Power (digital output= 000000000)	41	RESET	Resets DAC Registers, Active LOW
19	PB	Preblanking: LOW = ADC Output: -FS +32LSB HIGH = ADC Output: Normal	42	DACOUT	D/A Converter (DAC1) Output
20	OB	Optical Black Clamp Pulse, Active LOW	43	AV _{DD5}	Analog Power Supply
21	REFCK	CDS Reference Sampling Pulse, Active LOW	44	AV _{DD6}	Analog Power Supply
22	DATCK	CDS Data Sampling Pulse, Active LOW	45	AV _{SS5}	Analog Ground
23	DUMC	Dummy Clamp, Active LOW	46	AV _{SS6}	Analog Ground
			47	REFN	ADC Negative Reference, Bypass to Ground
			48	REFP	ADC Positive Reference, Bypass to Ground

SERIAL CONTROL DATA FORMAT FOR DAC0/DAC1

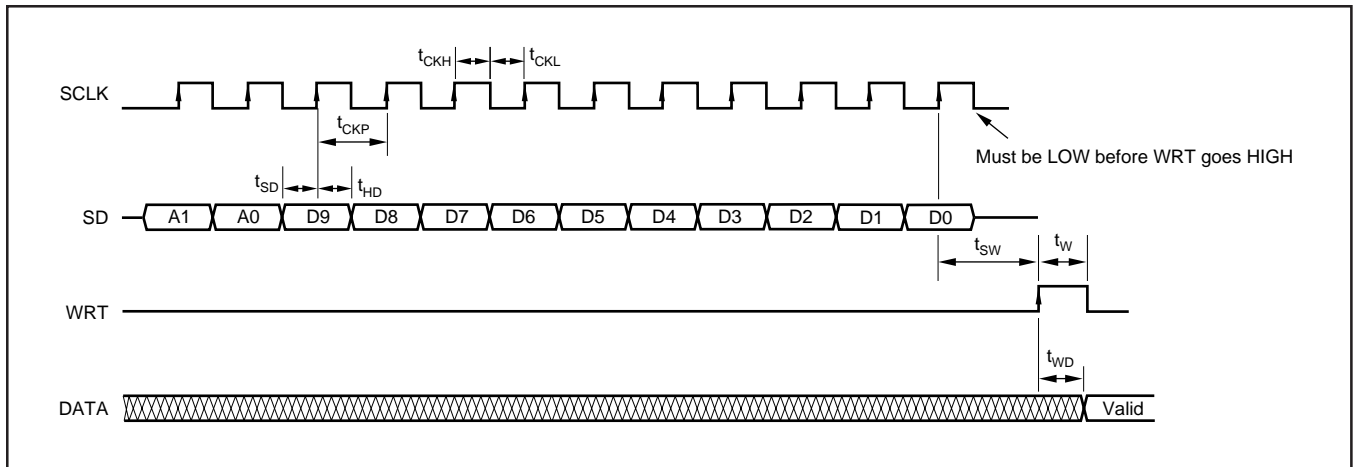
BIT NO.	DESIGNATOR	DESCRIPTION
1	A1	Start Bit. Either HIGH or LOW will be acceptable.
2	A0	Address Bit. Selects internal DACs. LOW = DAC0, VGA control DAC HIGH = DAC1, general purpose DAC
3	D9	Digital Input Data for DAC, Bit 10 (MSB)
4	D8	Digital Input Data for DAC, Bit 9
5	D7	Digital Input Data for DAC, Bit 8
6	D6	Digital Input Data for DAC, Bit 7
7	D5	Digital Input Data for DAC, Bit 6
8	D4	Digital Input Data for DAC, Bit 5
9	D3	Digital Input Data for DAC, Bit 4
10	D2	Digital Input Data for DAC, Bit 3
11	D1	Digital Input Data for DAC, Bit 2
12	D0	Digital Input Data for DAC, Bit 1 (LSB)

TIMING SPECIFICATIONS FOR SERIAL REGISTERS

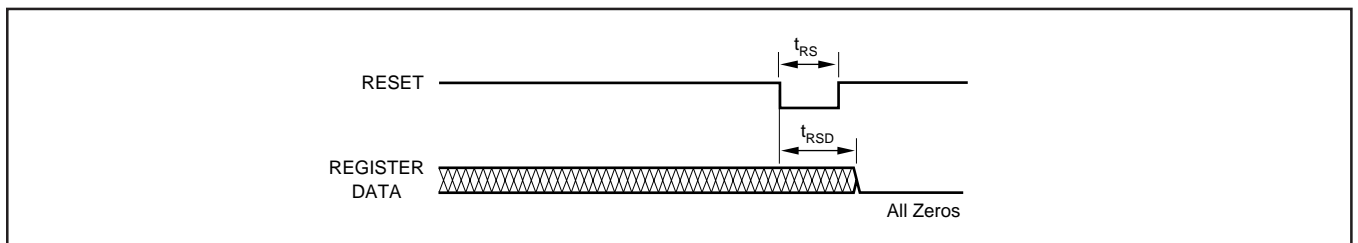
Timing Specifications = t_{MIN} to t_{MAX} with +3V power supply.

SYMBOL	PARAMETER	MIN	TYP	MAX	UNITS
t_{CKP}	Serial Clock Period	100			ns
t_{CKL}	Serial Clock Pulse Width LOW	50			ns
t_{CKH}	Serial Clock Pulse Width HIGH	50			ns
t_{SD}	Data Setup Time	50			ns
t_{HD}	Data Hold Time	25			ns
t_{SW}	Write Pulse Setup Time	100			ns
t_W	Write Pulse Width	50			ns
t_{WD}	Data Valid Delay Time	50			ns
t_{RS}	Register Reset Pulse Width	50			ns
t_{RSD}	Register Reset Delay Time	50			ns

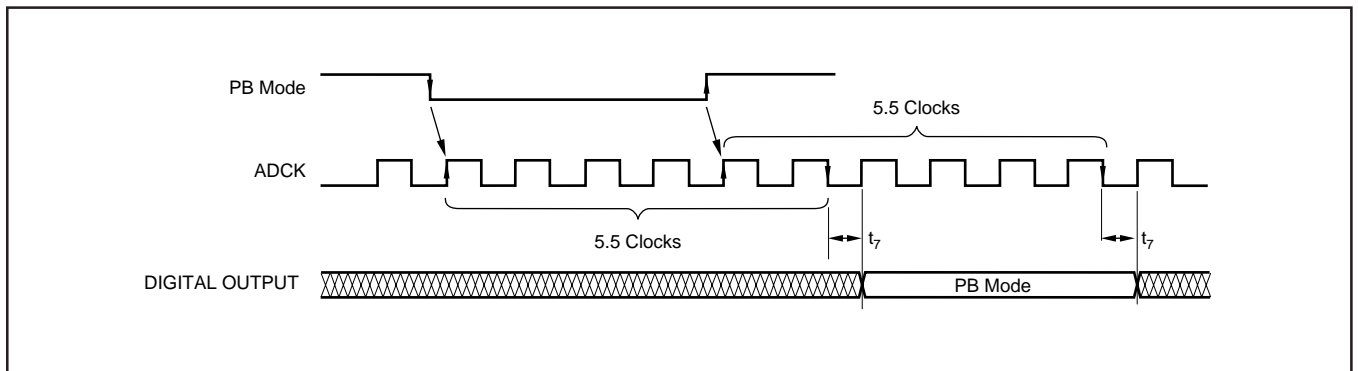
TIMING FOR SERIAL PORT WRITING



TIMING FOR REGISTER RESET

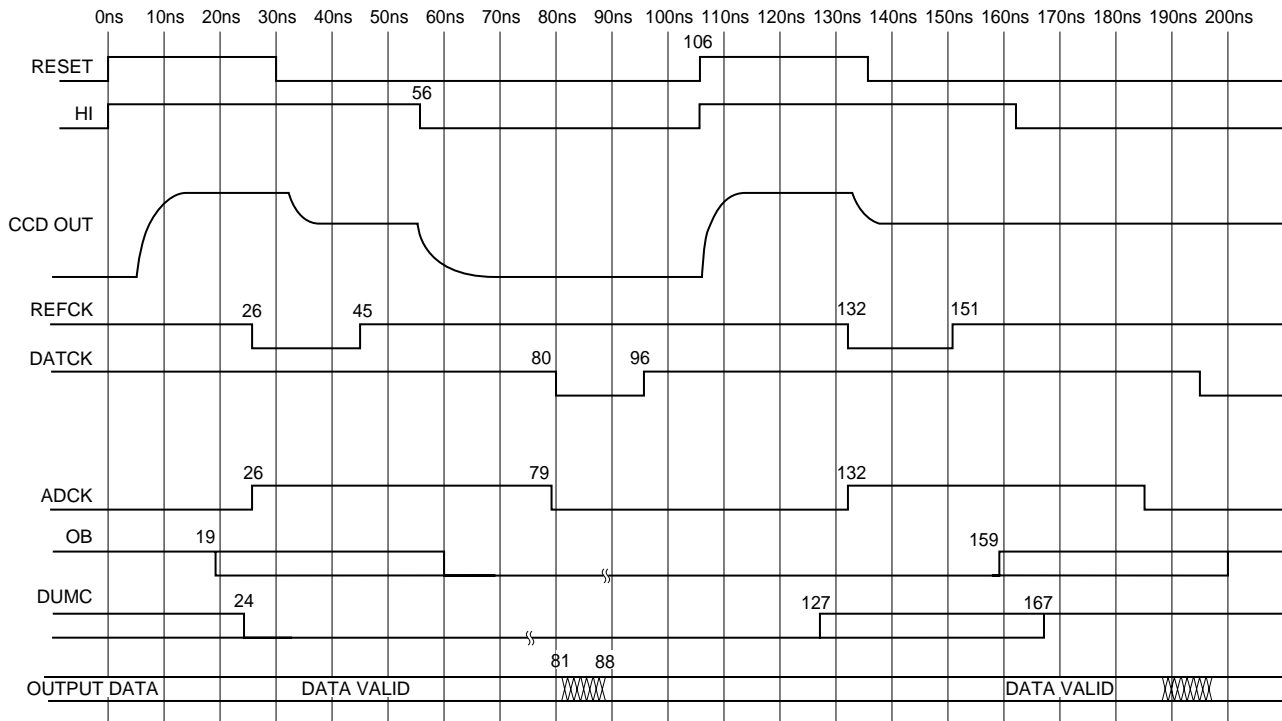


TIMING FOR PREBLANKING

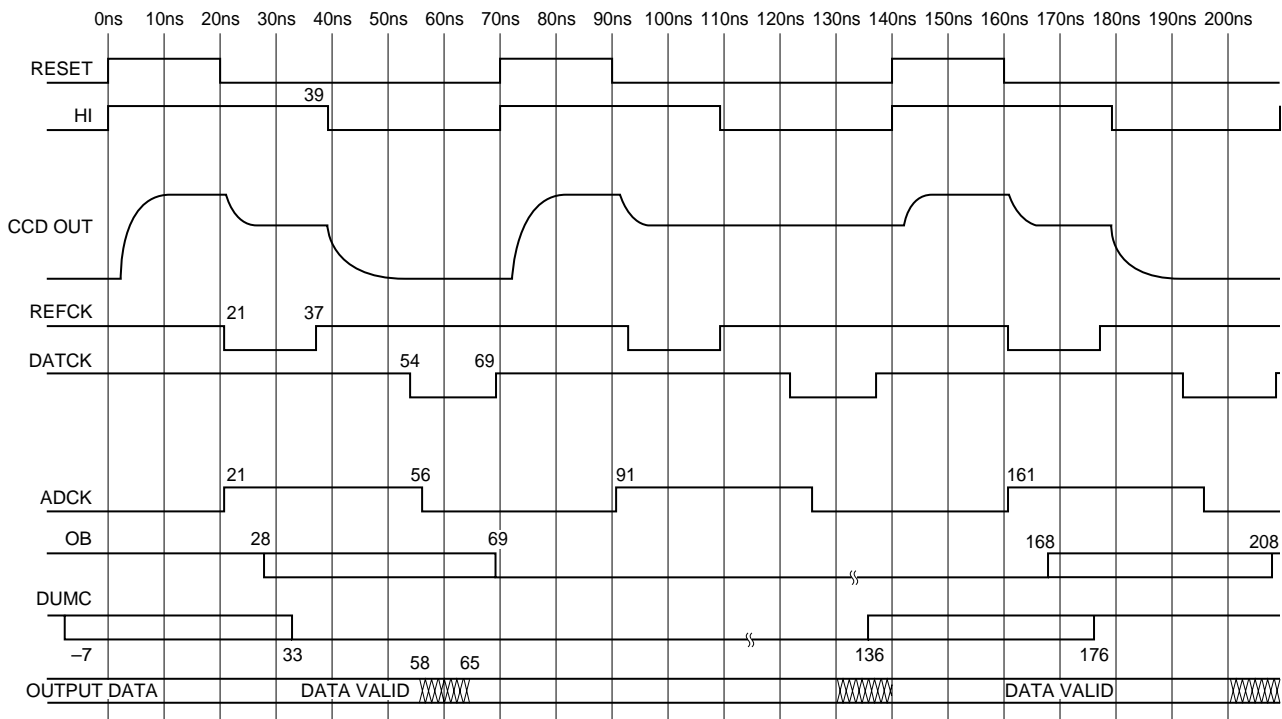


TIMING DIAGRAMS

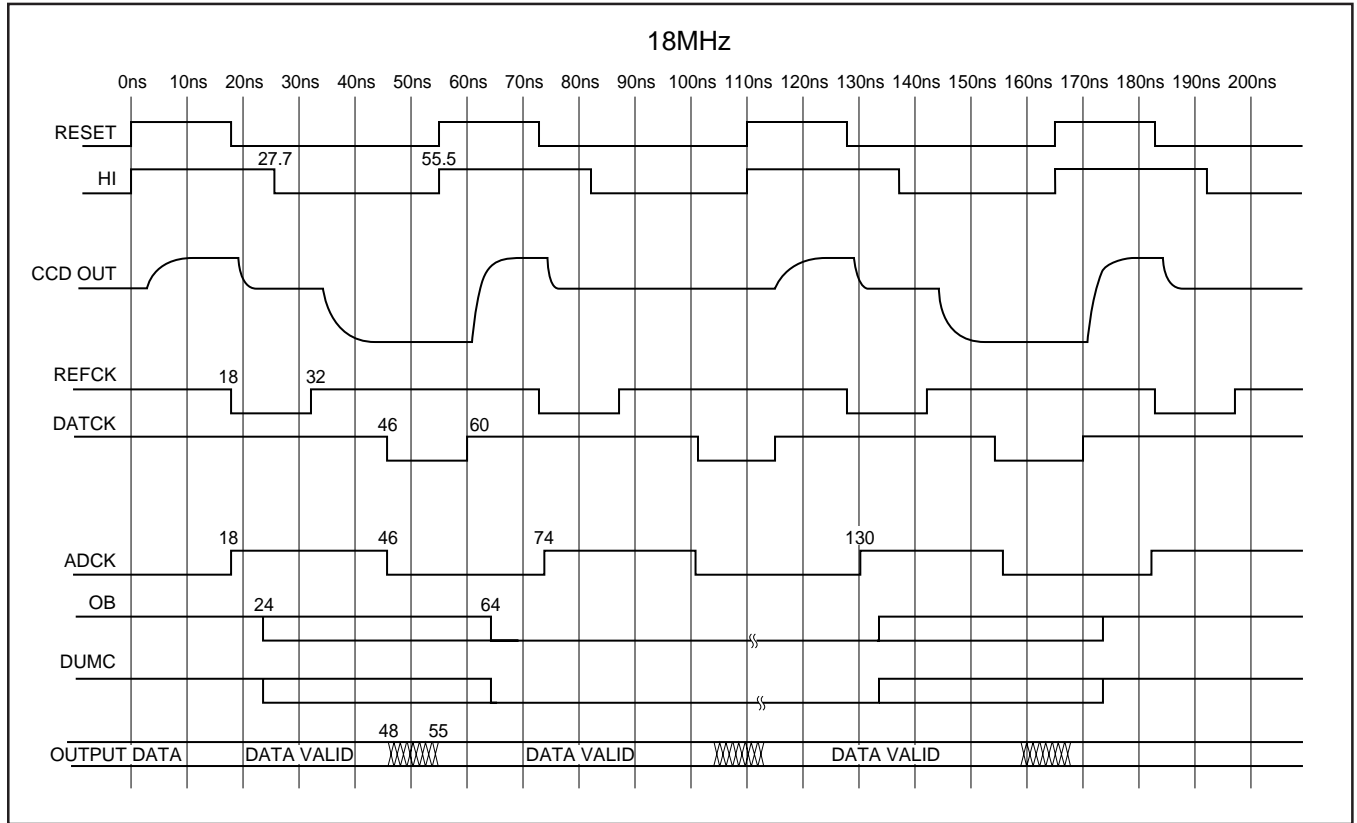
9.5MHz



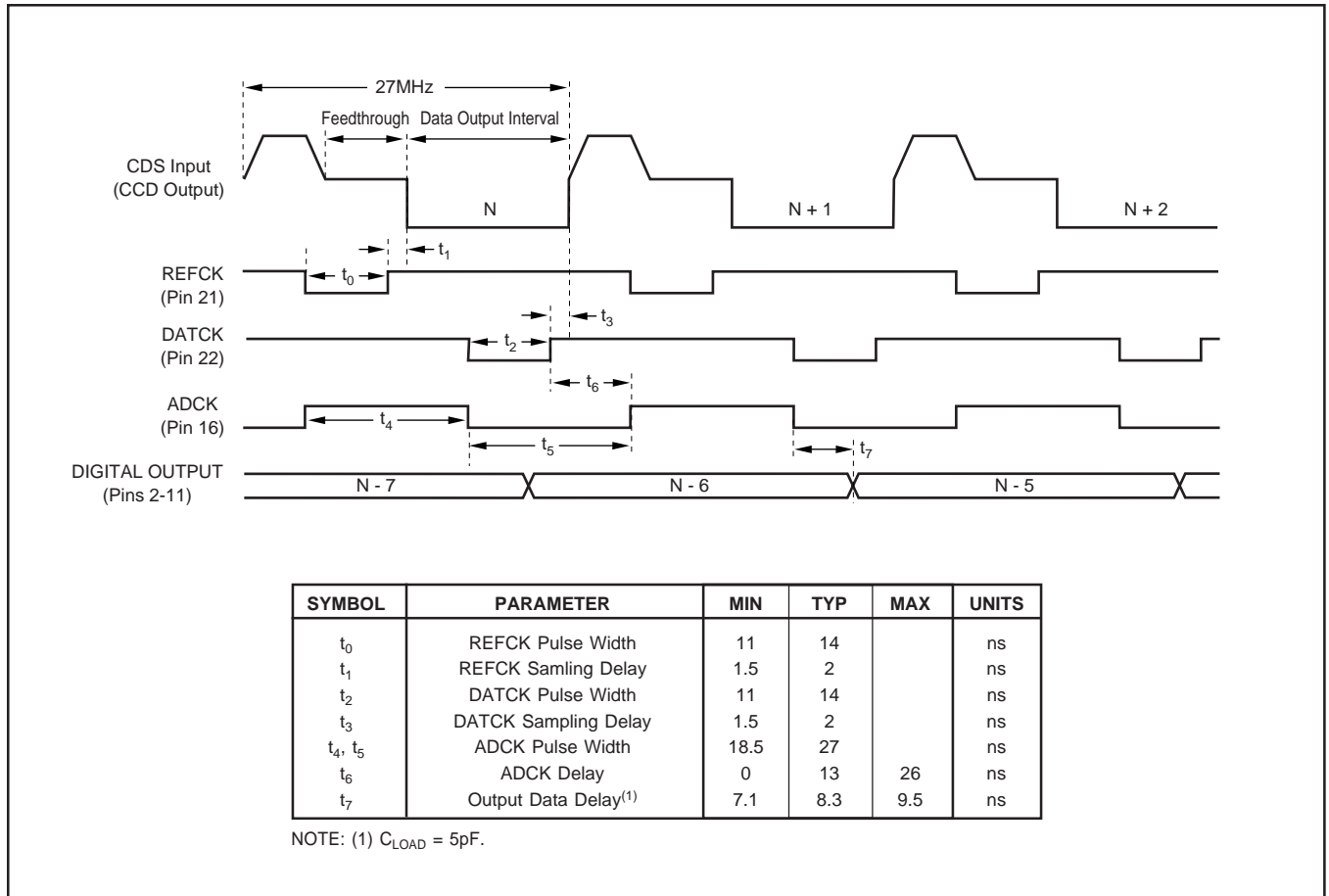
14MHz



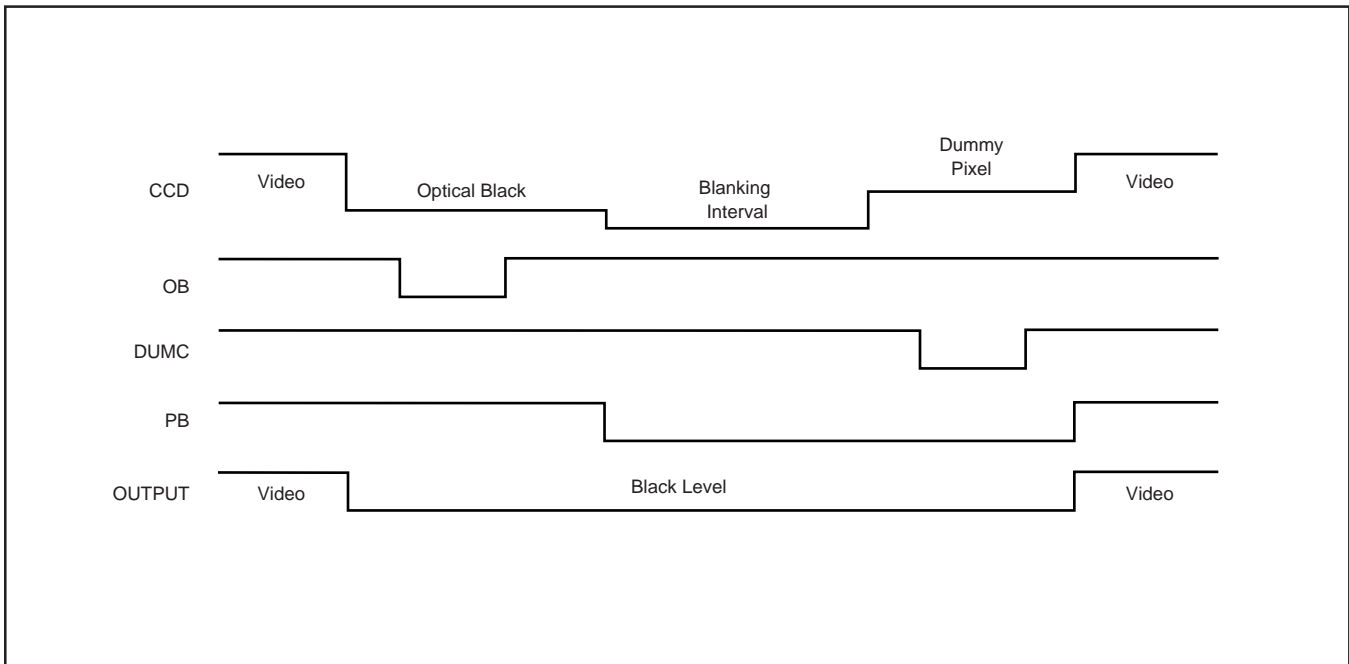
TIMING DIAGRAMS (CONT)



CDS/ADC TIMING DIAGRAM

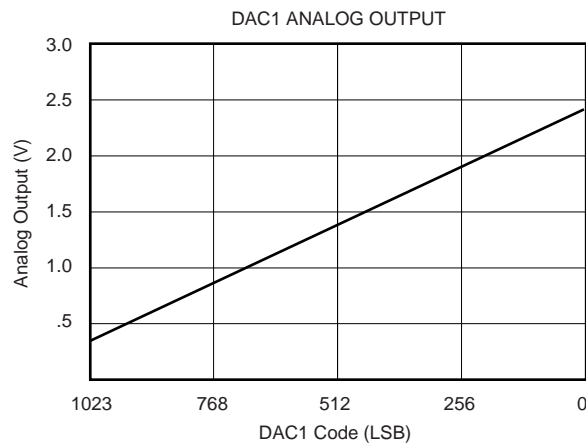
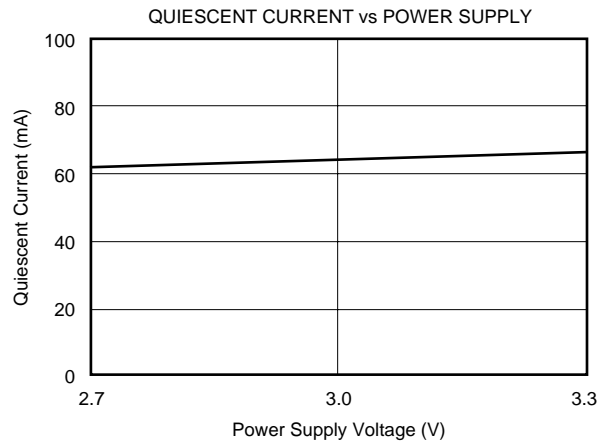
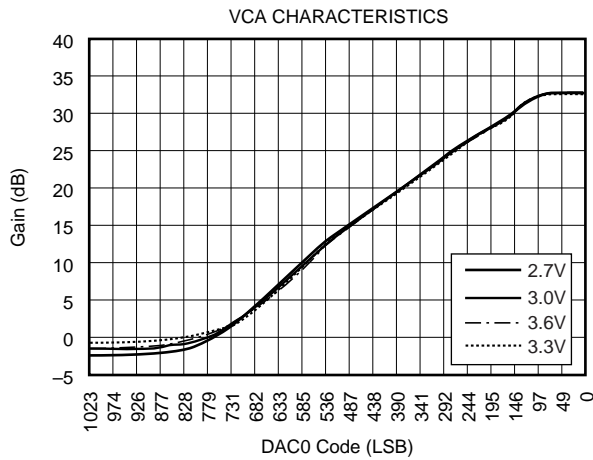


TYPICAL HORIZONTAL INTERVAL TIMING



TYPICAL PERFORMANCE CURVES

At $T_A = +25^\circ\text{C}$, all power supply voltages = +3.0V, and conversion rate = 18MHz, unless otherwise specified.



THEORY OF OPERATION

The VSP2101 is an integrated circuit that contains many of the key features associated with the processing of analog signals in a video camera or a digital-still camera. Figure 1 shows a simplified block diagram of the VSP2101.

The output from the CCD array is first sent to a Correlated Double Sampler (CDS), then a voltage-controlled attenuator with a logarithmic control characteristic, and an output amplifier prior to being applied to the input of a 10-bit A/D converter.

Two calibration cycles are employed to reduce the offset variation of the VSP2101. During the dummy pixel time, an input auto-zero circuit is activated that eliminates the offset of the correlated double sampler. During the optical black timing interval, another auto-zero circuit is employed to eliminate the offset associated with the output amplifier and the remaining offset from the CDS.

CORRELATED DOUBLE SAMPLER (CDS)

The CDS removes low frequency noise from the output of the image sensor. Refer to Figure 2 which shows a block diagram of the CDS. The output from the CCD array is sampled during the reference interval as well as during the data interval. Noise that is present at the input and is of a period greater than the pixel interval will be eliminated by subtraction.

The VSP2101 employs a three track/hold correlated double sampler architecture. Track/Hold 2 is sampled during the reference interval by the REFCK signal. Track/Hold 3 is resampled at the same time that the data Track/Hold 1 is sampled by the DATCK signal. This is done to remove large transients from Track/Hold 2 that results from a portion of the reset transient being present during the acquisition time of this track and hold. The output of Track/Hold 2 is buffered by a voltage follower.

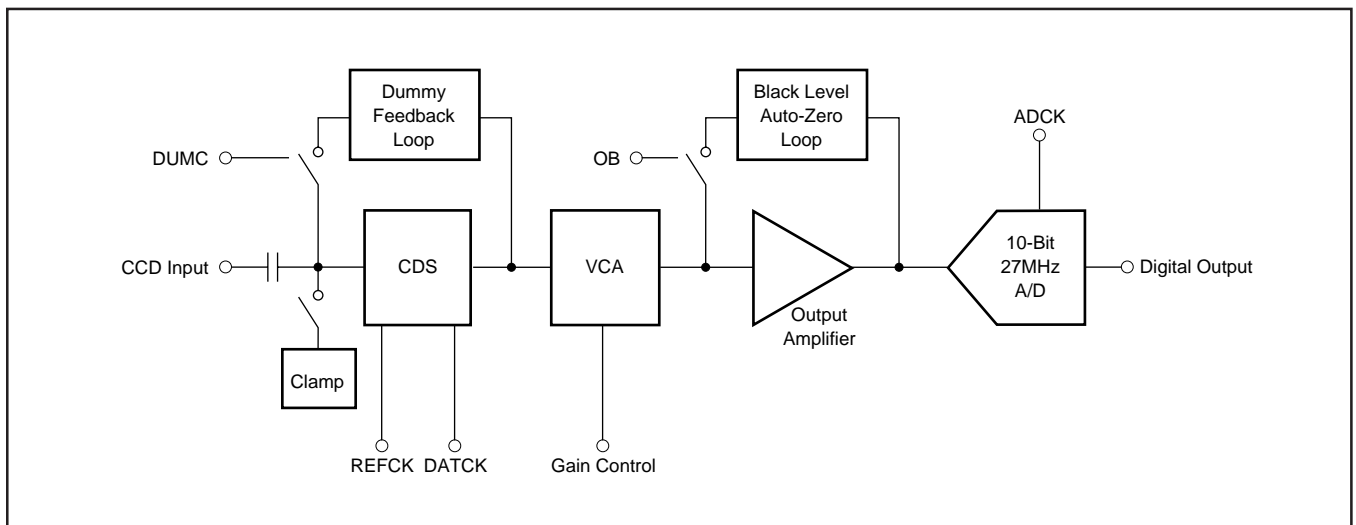


FIGURE 1. Simplified Block Diagram of VSP2101.

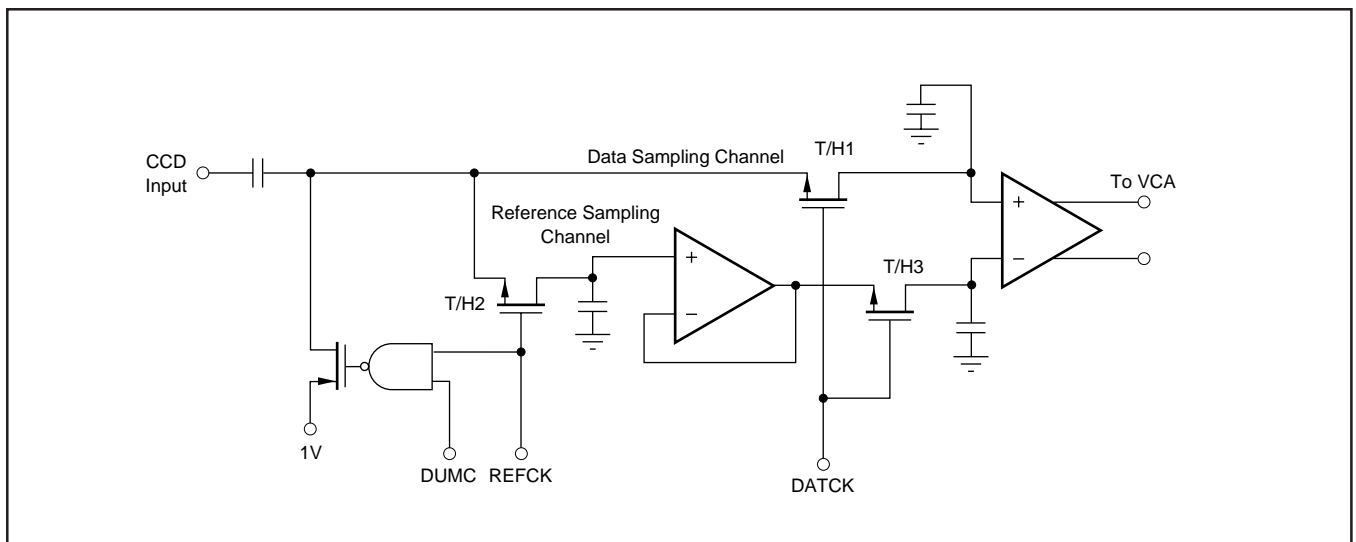


FIGURE 2. Block Diagram of Correlated Double Sampler.

DIFFERENCE AMPLIFIER

The correlated double sampler function is completed when the output of the data and reference channel are sent to the difference amplifier where the signals are subtracted. In addition to providing the difference function, the difference amplifier amplifies the signal by a factor of 2 which helps to improve the overall signal-to-noise ratio. The difference amplifier also generates a differential signal to drive the voltage-controlled attenuator.

INPUT CLAMP

The output from the CCD array is capacitively coupled to the VSP2101. To prevent shifts in the DC level from taking place due to varying input duty cycles, the input capacitor is clamped during the dummy pixel interval by the REFCK signal and the DUMC signal. A P-channel transistor is used for this input clamp switch to allow a 2V negative change at the input that would bring the signal below ground by 1. Under typical conditions, the bias at the input to the VSP2101 is at 1V.

DUMMY PIXEL AUTO-ZERO LOOP

The output from the data and reference channel is processed by the previously mentioned difference amplifier. The differential output from the difference amplifier is sent to both the voltage-controlled logarithmic attenuator and to an error amplifier. The error amplifier amplifies and feeds a signal to the difference amplifier to drive the offset measured at the output of the difference amplifier to zero. A block diagram of this circuit is shown in Figure 3. This error amplifier serves the purpose of reducing the offset of the CDS to avoid a large offset from being amplified by the output amplifier.

The effective time constant of this loop is given by:

$$T = \frac{RC}{AD}$$

where R is 10kΩ, C is an external capacitor connected to pin 27 (CCD R), A is the gain of the error amplifier with a value of 50, and D is the duty cycle of the time that the dummy

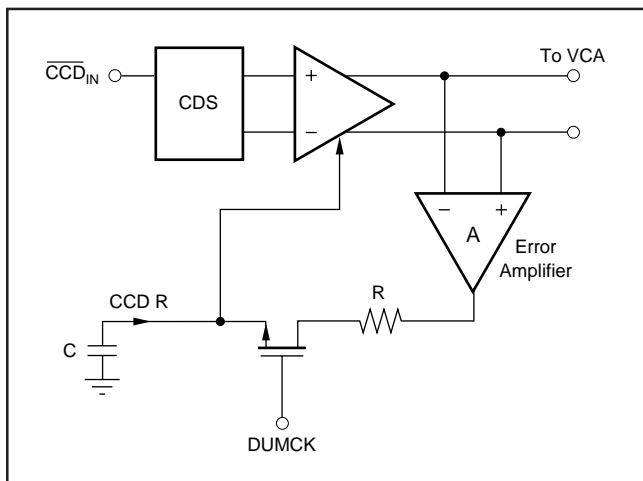


FIGURE 3. Block Diagram of Dummy Pixel Loop.

pixel auto-zero loop is in operation. The duty cycle (D) must be considered as the loop operates in a sampled mode. Operation of the dummy auto-zero loop is activated by the DUMC signal that happens once during each horizontal line interval.

TIMING

The REFCK and DATCK signals are used to operate the CDS as previously explained. These same two signals are also used by internal timing circuitry to create the necessary timing signals for the A/D. The output from the A/D is read out to external circuitry by the ADCK signal. DUMC is used to activate the dummy pixel auto-zero loop and OB is used to activate the black level auto-zero loop. The input digital timing signals REFCK, DATCK, DUMC and OB are capable of being driven from either 3V or 5V logic levels.

VOLTAGE-CONTROLLED ATTENUATOR

To maximize the dynamic range of the VSP2101, a voltage-controlled attenuator is included with a control range from 0dB to -34dB. The gain control has a logarithmic relationship between the control voltage and the attenuation. The attenuator processes a differential signal from the difference amplifier to improve linearity and to reject both power supply and common-mode noise. The output from the attenuator is amplified by 28dB prior to being applied to the A/D. A typical gain control characteristic of the VSP2101 is shown in the typical performance curve, "VCA Characteristics".

BLACK LEVEL AUTO-ZERO LOOP

The black level auto-zero loop amplifies the difference between the output of the output amplifier and a reference signal during the optical black timing interval. This difference signal is amplified and fed back into the output amplifier to correct the offset. In doing so, the output level of the entire CCD channel can be controlled to be approximately -FS + 32LSBs under zero input signal conditions. The black level auto-zero loop is activated by the OB timing signal.

Figure 4 shows a block diagram of the black level auto-zero loop. The loop time constant is given by:

$$T = \frac{C}{(G_M)(D)}$$

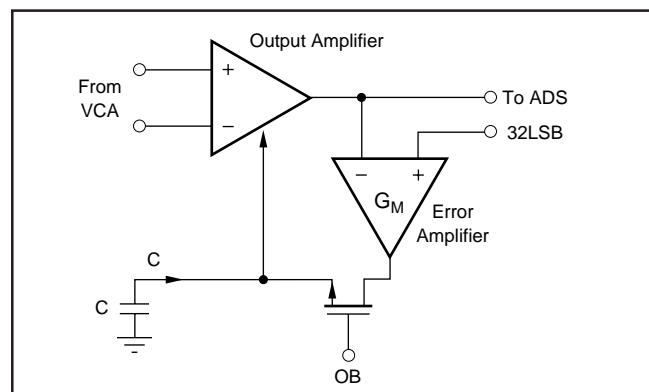


FIGURE 4. Black Level Auto-Zero Loop.

where C is the external filter capacitance applied to pin 24 (C), G_M is $.001\Omega$ and D is the duty cycle of the time that the black level auto-zero loop is in operation. The duty cycle (D) must be considered as the loop operates in a sampled mode. Operation of the black level auto-zero loop is activated by the OB signal that happens once during each horizontal line interval.

A/D CONVERTER

The A/D converter utilizes a pipeline architecture. The fully differential topology and digital error correction guarantee 10-bit resolution. The A/D converter circuitry includes a reference circuit that provides bias voltages for the entire system.

SERIAL INTERFACE AND DACs

The VSP2101 incorporates two identical 10-bit DACs (DAC0 and DAC1). DAC0 is for controlling the amount of attenuation of the log Voltage Controlled Attenuator (VCA) and DAC1 is for user-defineable options such as iris control.

The input data for these DACs are set by the written data through the serial interface. The serial port has an 12-bit register which is controlled by four signals (SD, SCLK, WRT, RESET). SD is the serial data input, SCLK is the clock for the serial data, WRT pulse takes the serial register data into another internal parallel register at the rising edge, RESET resets all the registers' data to zeros asynchronously when RESET = LOW. The serial register uses master-slave dual flip-flops and the master flip-flop receives the input data at the rising edge of SCLK and transmits this data into the slave at the falling edge of SCLK. Therefore, the clock SCLK must be normally LOW.

When the DAC input data is all zeros, this corresponds to a maximum output voltage of 2.4V. In a similar manner, all ones correspond to a DAC output voltage of 0.3V. The VCA attenuation is at a minimum—which is the same as the channel gain being a maximum—when the DAC voltage is at 2.4V.

The serial data format and the related signal timing are shown page 5. When the input serial data is longer than 12 bits, the last 12 bits become effective and the former bits are erased.

When the registers are reset, the user should be careful that the channel gain setting becomes maximum and DAC1 output voltage goes to maximum.

DECOUPLING AND GROUNDING CONSIDERATIONS

The VSP2101 has several supply pins, one of which is dedicated to supply only the digital output driver (pin 12, DRV_{DD}). The remaining supply pins are not, as is often the case, divided into analog and digital supply pins since they are internally connected on the chip. For this reason, it is recommended that the VSP2101 be treated as an analog component and be powered from the analog supply only. Digital supply lines often carry high levels of wide band noise which can couple back into the VSP2101 and limit performance.

Figure 5 shows the recommended decoupling scheme for the VSP2101. In most cases, $0.1\mu\text{F}$ ceramic chip capacitors are adequate to keep the impedance low over a wide frequency range. Their effectiveness largely depends on the proximity to the individual pin. Therefore, they should be located as close as possible to the pins. In addition, one larger capacitor ($1\mu\text{F}$ to $22\mu\text{F}$) should be placed on the PC board in proximity of the VSP2101.

OTHER RECOMMENDATIONS

DRV_{DD} is a power supply used exclusively for the digital output driver and should not be connected to AV_{DD} and DV_{DD} , even if the power supply voltage is the same. The voltage level difference between DRV_{DD} , AV_{DD} , and DV_{DD} should be kept less than 0.3V.

If your PC board has analog and digital ground, AV_{SS} , DV_{SS} , and DRV_{SS} should be connected to analog ground.

DEMONSTRATION BOARD

A demonstration board, DEM-VSP2101, is available to assist in the initial evaluation of the circuit performance using the VSP2101. The schematic of the DEM-VSP2101 is shown in Figure 5.

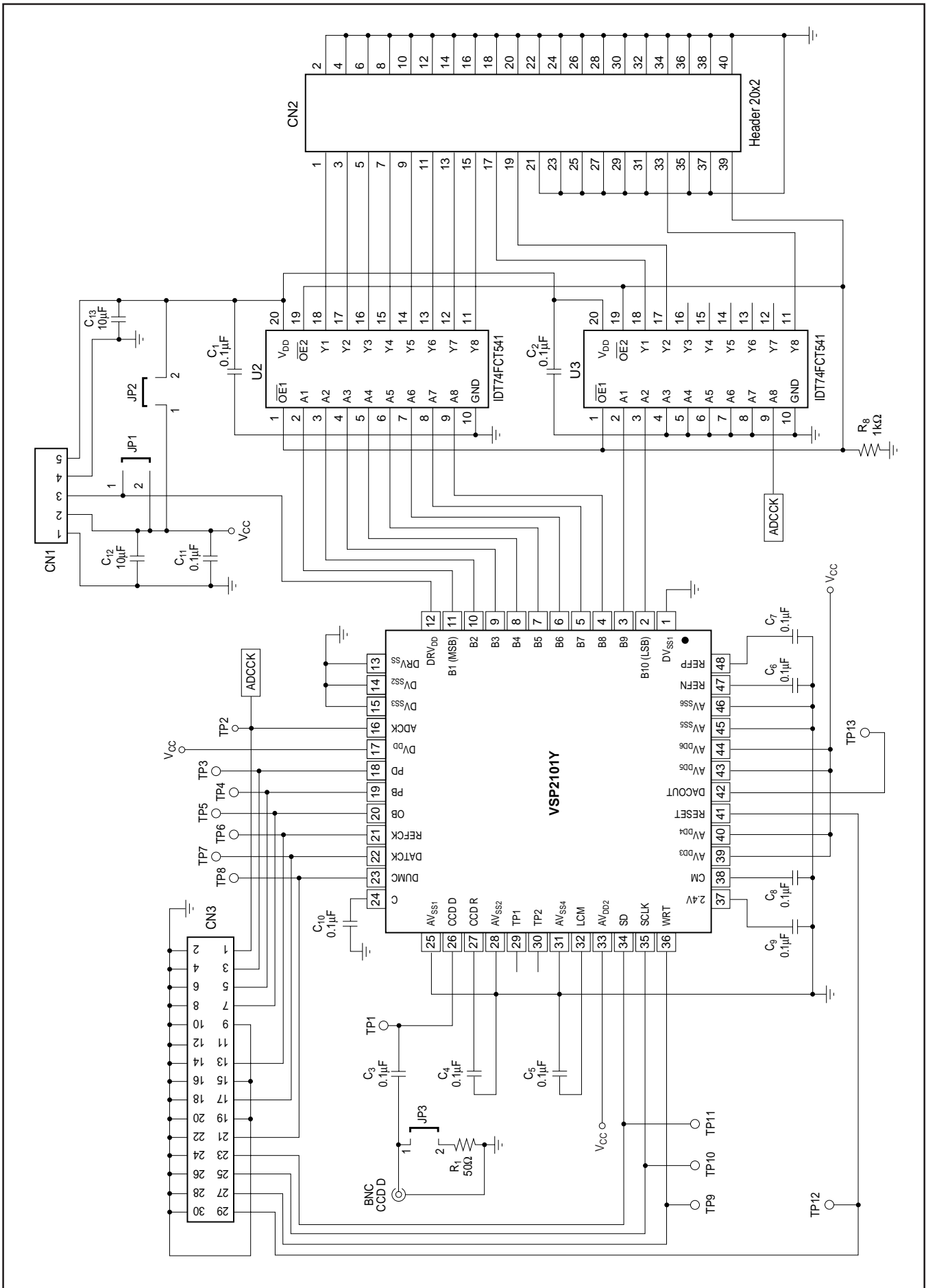


FIGURE 5. DEM-VSP2101Y Schematic.

PACKAGING INFORMATION

ORDERABLE DEVICE	STATUS(1)	PACKAGE TYPE	PACKAGE DRAWING	PINS	PACKAGE QTY
VSP2101Y	ACTIVE	LQFP	PT	48	250
VSP2101Y/2K	ACTIVE	LQFP	PT	48	2000

(1) The marketing status values are defined as follows:

ACTIVE: Product device recommended for new designs.

LIFEBUY: TI has announced that the device will be discontinued, and a lifetime-buy period is in effect.

NRND: Not recommended for new designs. Device is in production to support existing customers, but TI does not recommend using this part in a new design.

PREVIEW: Device has been announced but is not in production. Samples may or may not be available.

OBSOLETE: TI has discontinued the production of the device.

IMPORTANT NOTICE

Texas Instruments Incorporated and its subsidiaries (TI) reserve the right to make corrections, modifications, enhancements, improvements, and other changes to its products and services at any time and to discontinue any product or service without notice. Customers should obtain the latest relevant information before placing orders and should verify that such information is current and complete. All products are sold subject to TI's terms and conditions of sale supplied at the time of order acknowledgment.

TI warrants performance of its hardware products to the specifications applicable at the time of sale in accordance with TI's standard warranty. Testing and other quality control techniques are used to the extent TI deems necessary to support this warranty. Except where mandated by government requirements, testing of all parameters of each product is not necessarily performed.

TI assumes no liability for applications assistance or customer product design. Customers are responsible for their products and applications using TI components. To minimize the risks associated with customer products and applications, customers should provide adequate design and operating safeguards.

TI does not warrant or represent that any license, either express or implied, is granted under any TI patent right, copyright, mask work right, or other TI intellectual property right relating to any combination, machine, or process in which TI products or services are used. Information published by TI regarding third-party products or services does not constitute a license from TI to use such products or services or a warranty or endorsement thereof. Use of such information may require a license from a third party under the patents or other intellectual property of the third party, or a license from TI under the patents or other intellectual property of TI.

Reproduction of information in TI data books or data sheets is permissible only if reproduction is without alteration and is accompanied by all associated warranties, conditions, limitations, and notices. Reproduction of this information with alteration is an unfair and deceptive business practice. TI is not responsible or liable for such altered documentation.

Resale of TI products or services with statements different from or beyond the parameters stated by TI for that product or service voids all express and any implied warranties for the associated TI product or service and is an unfair and deceptive business practice. TI is not responsible or liable for any such statements.

Following are URLs where you can obtain information on other Texas Instruments products and application solutions:

Products		Applications	
Amplifiers	amplifier.ti.com	Audio	www.ti.com/audio
Data Converters	dataconverter.ti.com	Automotive	www.ti.com/automotive
DSP	dsp.ti.com	Broadband	www.ti.com/broadband
Interface	interface.ti.com	Digital Control	www.ti.com/digitalcontrol
Logic	logic.ti.com	Military	www.ti.com/military
Power Mgmt	power.ti.com	Optical Networking	www.ti.com/opticalnetwork
Microcontrollers	microcontroller.ti.com	Security	www.ti.com/security
		Telephony	www.ti.com/telephony
		Video & Imaging	www.ti.com/video
		Wireless	www.ti.com/wireless

Mailing Address: Texas Instruments
Post Office Box 655303 Dallas, Texas 75265

Copyright © 2003, Texas Instruments Incorporated